

住友中国网络

上海分公司
上海市长宁区虹桥路1386号
文广大厦1101室
邮编: 200336
电话: 021-34627877
传真: 021-34627922

松江工厂
上海市松江区书崖路301号2幢
邮编: 200336
电话: 021-57748866

天津工厂
天津市东丽经济开发区三经路7号
邮编: 300300
电话: 022-24993501
传真: 022-24993507

广州工厂
广州市永和经济技术开发区桑田三路32号兴宇物流第1号厂房
邮编: 511356
电话: 020-82981073
传真: 020-32221017

唐山工厂
唐山市开平区现代装备制造工业园园区道35号住友重机械(唐山)有限公司SCT营业部
邮编: 063021
电话: 0315-3390880
传真: 0315-3390937

苏州分公司
苏州新区狮山路88号星河国际中心2111室
邮编: 215011
电话: 0512-68050638
传真: 0512-68050568

南京分公司
南京市中山南路49号南京商茂世纪广场16楼A4座
邮编: 210005
电话: 025-86890102
传真: 025-86890121

无锡分公司
无锡市滨湖区万达广场A区写字楼2011室
邮编: 214000
电话: 0510-82735106
传真: 0510-82722686

杭州分公司
杭州市凤起路78号杭州国际假日酒店商务楼408室
邮编: 310003
电话: 0571-28909729
传真: 0571-28909730

宁波联络处
浙江省宁波市海曙区紫薇新村4栋11号405室
邮编: 315016
电话: 13306687987
传真: 0574-89021801

温州联络处
温州市瓯海区高翔景苑3-801
电话: 18857791797

合肥分公司
合肥市政务区东流路999号新城国际A座1707室
电话: 0551-63525360
传真: 0551-62852401

济南分公司
济南市历下区华能路38号汇能大厦2305室
邮编: 250100
电话: 0531-88119586
传真: 0531-88119585

青岛分公司
青岛市山东路40号青岛广发金融大厦1304-C
邮编: 266071
电话: 0532-86660108
传真: 0532-86660105

烟台联络处
烟台市福山区银河路惠景文苑15-2-402
电话: 18660559973

长沙分公司
长沙市雨花区万家丽路欧亚达国际广场3栋2475
电话: 0731-84132878
传真: 0731-84148938

沈阳分公司
沈阳市和平区和平北大街99号总统大厦C座1903室
邮编: 110003
电话: 024-22812030
传真: 024-22812032

长春联络处
吉林省长春市净月区南四环路与临河街交汇保利香槟C3-2-2205
邮编: 130021
电话: 18626647838

哈尔滨联络处
哈尔滨市香坊区香康街7号4栋11号405室
邮编: 150036
电话: 18646118585

大连办事处
大连市黄河路677号天兴-罗斯福国际中心写字楼1712室
邮编: 116021
电话: 0411-84521309
传真: 0411-84521306

郑州分公司
郑州市金水路24号润华商务花园A座426室
邮编: 450012
电话: 0371-63857861
传真: 0371-63857222

西安分公司
西安市雁塔区高新四路一号高科广场A座702室
邮编: 710075
电话: 029-88365200

乌鲁木齐联络处
乌鲁木齐市西山路156队家属区17号楼一单元1401
电话: 0991-2658211
传真: 0991-2657211

太原联络处
山西省太原市万柏林区和平北路熙馨苑馨院小区8号楼3205室
电话: 0351-5260423
传真: 0351-5260423

北京分公司
北京市朝阳区东三环中路16号京粮大厦1408室
邮编: 100020
电话: 010-84854688
传真: 010-84854698

石家庄联络处
河北省石家庄新华区誉宏路1号明珠花园12-3-502室
邮编: 050000
电话: 0311-68008684
传真: 0311-68008684

唐山办事处
唐山市开平区现代装备制造工业园园区道35号住友重机械(唐山)有限公司SCT营业部
邮编: 063021
电话: 0315-3390889
传真: 0315-3390858

天津办事处
天津市东丽经济开发区三经路7号
邮编: 300300
电话: 022-24980364
传真: 022-24985406

广州分公司
广州市林和西路161号中泰国际A座1208室
邮编: 511356
电话: 020-38288465
传真: 020-38288580

福州分公司
福州市五一中路88号平安大厦7F C2单元
邮编: 350001
电话: 0591-87608527
传真: 0591-87608617

厦门联络处
厦门市莲前西路811号1401室
邮编: 361009
电话: 0592-5196266
传真: 0592-5196266

江西联络处
江西省南昌市塔子桥南路328号春晖园二期13栋2单元204
电话: 18079277044

成都分公司
成都市人民南路一段86号城市之心19楼E座
邮编: 610016
电话: 028-86203055
传真: 028-86203058

昆明联络处
昆明市五华区红锦路46号荷塘月色8幢3单元502室
电话: 0871-63510627
传真: 0871-63510602

重庆办事处
重庆市九龙坡区火炬大道99号千叶大厦3栋14-4
邮编: 400010
电话: 023-63801662
传真: 023-63801660

香港分公司
香港九龍长沙湾永康街77号环荟中心 1301室
电话: 00852-24601884
传真: 00852-24601882

住友全球其他网络

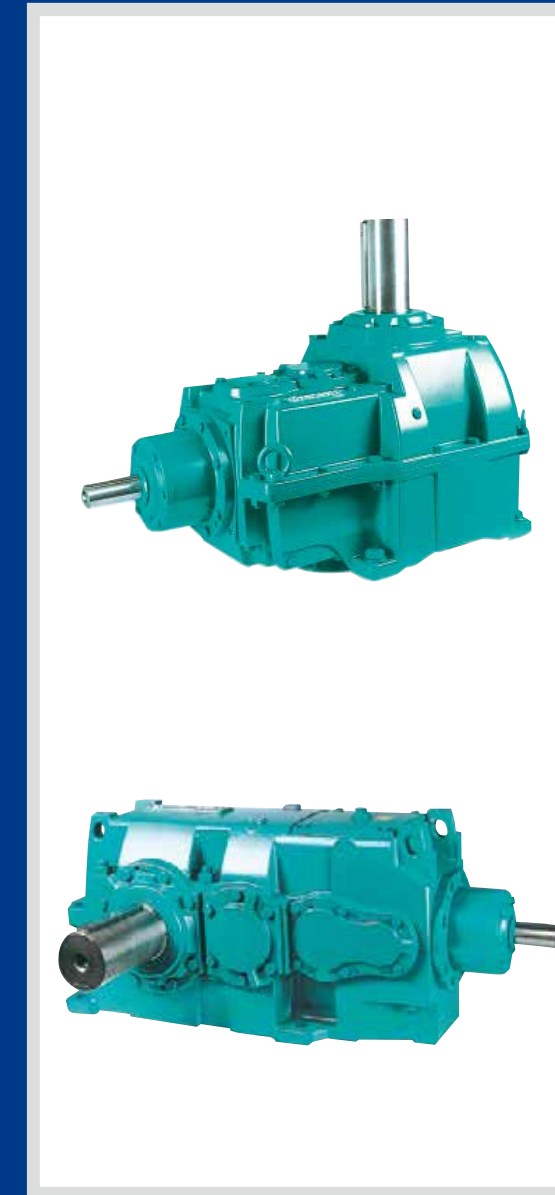
Asia/Oceania
Korea
Sumitomo(SHI)Cyclo Drive Korea, Ltd. (SCK)
Tel: (82)2-730-0151
Taiwan
Tatung SM-Cyclo Co., Ltd. (TSC)
Tel: (886)2-2595-7275
Singapore
Sumitomo(SHI)Cyclo Drive Asia Pacific Pte. Ltd. (SCA)
Tel: (65)6591-7800
Philippines
SCA Branch Office in Philippines
Tel: (63)2-6800-6500
Vietnam
SCA Representative Office in Hanoi
Tel: (84)4-3767-2716
Malaysia
SM-Cyclo (Malaysia) Sdn. Bhd. (SMMA)
Tel: (60)3-8061-2909
Thailand
SM-Cyclo (Thailand) Co., Ltd. (SMTH)
Tel: (66)2-670-0998

Australia
SM-Cyclo (Australia) Pty., Ltd. (SMAU)
Tel: (61)2-8811-6555
India
Sumi-Cyclo Drive India Private Limited
Tel: (91)20-6674-2900
Americas
U.S.A.
Sumitomo Machinery Corporation of America (SMA)
Tel: (1)757-485-8218
Argentina
SM-Cyclo de Argentina S.A. (SMAR)
Tel: (54)11-4765-5332
Brazil
SM-Cyclo Redutores de Brasil, Ltda. (SMBR)
Tel: (55)11-5585-3600
Chile
SM-Cyclo de Chile, Ltda. (SMCH)
Tel: (56)2-892-7000
Mexico
SM-Cyclo de Mexico, S.A. de C.V. (SMME)
Tel: (52)81-8144-5130

Canada
SM-Cyclo of Canada, Ltd. (SMC)
Tel: (1)905-469-1050
Europe
Germany
Sumitomo(SHI) Cyclo Drive Germany GmbH (SCG)
Tel: (49)8136-66-0
Austria
SCG Branch Austria Office
Tel: (43)732-330958
Benelux
SCG Branch Benelux Office
Tel: (32)16 60 83 11
France
SM-Cyclo France E.U.R.L. (SMFR)
Tel: (33)149-929494
Italy
SM-Cyclo Italy Srl (SMIT)
Tel: (39)02-9356-2121
Spain
SM-Cyclo Iberia, S.L. (SMIB)
Tel: (34)944-805389

Sweden
SM-Cyclo Scandinavia AB (SMSC)
Tel: (46)40220030
UK
SM-Cyclo UK Ltd. (SMUK)
Tel: (44)1482-790340

Sumitomo Drive Technologies



Hansen P4

Standardized gear units
标准减速机

FITNESS FOR USE

With the Hansen P4 product line you can easily select what you need, thereby optimizing your investment.

FEATURE	YOUR BENEFIT
■ Specific housings for horizontal and vertical applications	■ Easy to select the optimal gear unit for a specific application - value for money
■ Standard higher bearing span for vertical applications	■ Stronger shaft support for surface aerators, mixers...
■ Simple, standard systems for cooling and lubrication	■ Proven and cost-effective solutions
■ Accessories and instrumentation are offered as catalogue options	■ Easy and fast customization possibilities
■ Improved component standardization	■ Shorter delivery times
■ Special ratios up to 1% of the requested ratio at moderate cost	■ Cost efficient tailor-made solution

INSTALLATION

Even the larger Hansen P4 models are easy to transport, manoeuvre and install.

FEATURE	YOUR BENEFIT
■ Provision for crowbar or adjusting screws, oval transport slots or hoist eyes & standard fixation points for accessories	■ Easy installation procedure; easy to handle, install and to mount accessories such as protection caps
■ Internal construction ensures oil supply to all bearings on first oil filling	■ Bearings safely lubricated from the start
■ Large mounting pads can accommodate extra dowel pins	■ Easy realignment

POWER & RELIABILITY

The excellent constructional rigidity of Hansen P4, together with the commitment to apply state-of-the-art gear technology, leads to remarkable power and performance.

FEATURE	YOUR BENEFIT
■ Rigid, standardized pinion shafts and housings	■ Better lateral load distribution, lower noise and vibration levels
■ Full-scale application of: <ul style="list-style-type: none"> ■ High torque geometry in low speed gear sets ■ Low noise geometry in high speed gear sets ■ Profile-controlled gas carburizing ■ Precision grinding with sophisticated tooth contact analysis 	<ul style="list-style-type: none"> ■ Better strength/surface durability rating balance ■ Lower noise and vibration levels ■ Optimal load capacity ■ Optimal transverse and lateral load distribution, lower noise and vibration levels
■ Assured oil circulation through the bearings	■ Long, troublefree working life

SPARE PARTS, SERVICE & MAINTENANCE

The Hansen P4 is one of the easiest to maintain gear units on the market. The maintenance operation itself has been simplified and shortened.

FEATURE	YOUR BENEFIT
■ Housings for horizontal and vertical applications both with horizontal split	■ Easy to open for inspection and service on-the-spot
■ Maintenance-free Oil-Lock™ seal as a standard on the high speed shaft extensions	■ Oil-tight for life - no maintenance required
■ Drywell standard for vertically down shaft	■ Oil-tight for life
■ Easy to remove inspection cover with O-seal above the oil level	■ Easy and quick inspection without oil drainage
■ Provision for easy removal of covers	■ Easy to open for service on-the-spot
■ Specific housings for horizontal and vertical applications	■ Total oil evacuation possible
■ Rounded external design	■ Smooth surface without dirt-retaining cavities

适用性

汉森 P4系列产品，能让您按需轻松选择，彰显投资效益。

■ 特点

- 特殊箱体设计，既可以水平安装，亦可垂直安装
- 立式减速机设有标准的加长轴承跨距
- 简约标准的冷却系统和润滑系统
- 本手册提供多种附件及仪器的选择方案
- 部件标准化程度高
- 以低廉的成本可实现精度为1%的特殊速比

■ 优势

- 便于根据特殊需求选用最经济有效的减速机
- 加强的输出轴可用于曝气机、混合器等
- 行之有效、经济适用
- 可方便快捷地根据实际情况进行选择
- 供货及时快捷
- 量身定制的最经济解决方案

安装

汉森P4系列产品，即使较大的规格也易于运输、操纵和安装

■ 特点

- 备有吊装用调整螺栓、椭圆形吊装槽/吊耳，以及标准的附件固定点
- 内部结构确保首次加注机油即可润滑所有轴承
- 大型减速机底脚可外加定位销

■ 优势

- 安装简便，便于移动、安装和加装诸如保护罩等附件
- 自启动开始即可保证轴承获得良好的润滑
- 便于重新调整定位

功能强大，性能可靠

汉森P4系列产品结构坚固，集上乘的结构强度与世界一流的齿轮技术于一身，体现了强大的功能和可靠的性能。

■ 特点

- 高强度的标准化齿轮轴和齿轮座箱体
- 广泛应用：
 - 低速齿轮组采用可承受高扭矩的齿型
 - 高速齿轮组采用低噪音齿型
 - 气体渗碳
 - 采用具有轮齿接触分析的精磨工艺

■ 优势

- 合理的侧向负荷分配，噪声和振动更低
- 使张力与表面耐磨度指标更趋于合理
- 噪声和振动更低
- 优异的承载能力
- 优化的横向和侧向负荷分配，使噪声和振动更低
- 确保轴承充分润滑
- 无故障工作寿命更长

零配件、维修和保养

汉森P4是市场上维护保养最为简便的减速机之一，维护保养即便捷又省时

■ 特点

- 水平和垂直应用的减速机箱体可水平拆分
- 高速轴装有标准的锁油式密封
- 标准的干井密封用于垂直向下的输出轴
- 带O型密封圈的检修盖板高于油位
- 端盖开启方便
- 特殊的箱体设计，便于水平和垂直安装
- 圆滑外形设计

■ 优势

- 便于现场拆卸检修
- 油封终身免维护
- 终身保证油密性
- 无需排空润滑油即可方便快速地进行检修
- 便于现场进行检修
- 可完全排空润滑油
- 平滑外形，无积垢死角

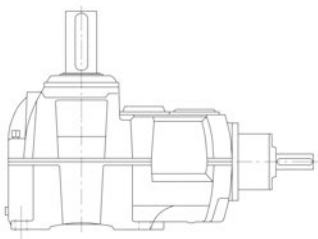
Hansen P4

MULTI-STAGE GEAR UNITS

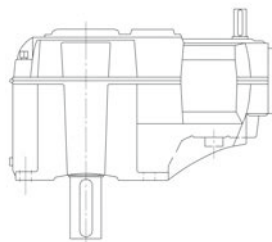
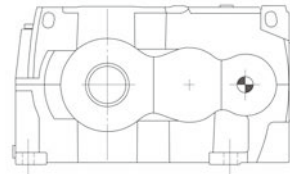
多级减速机

VERTICAL APPLICATIONS APPLICATIONS VERTICALES

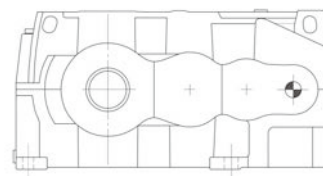
HORIZONTAL APPLICATIONS APPLICATIONS HORIZONTALES



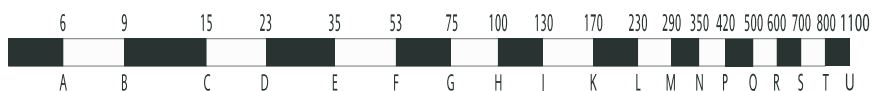
2
Stages
级数



3-4
Stages
级数

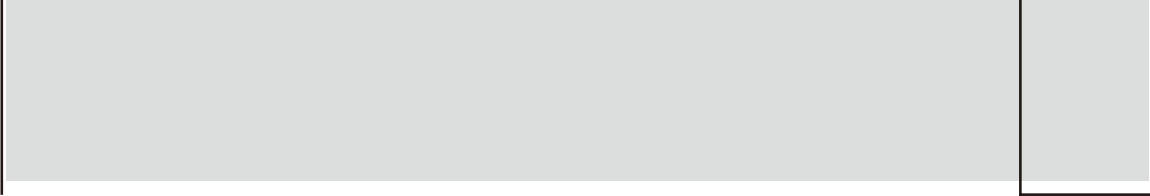


	Centre distance / 中心距																			kNm		
	x	y	a	b	c	d	e	f	g	h	j	k	l	m	n	p	q	r	s		t	u
A	●		●																			6
B		●		●																		9
C	●		●		●																	17
D	●		●		●		●															25
E	●		●		●		●		●													38
F		●		●		●		●		●												57
G			●		●		●		●		●											80
H			●		●		●		●		●		●									108
J				●		●		●		●		●		●								145
K				●		●		●		●		●		●		●						185
L				●		●		●		●		●		●		●		●				235
M				●		●		●		●		●		●		●		●		●		310
N				●		●		●		●		●		●		●		●		●		390
P				●		●		●		●		●		●		●		●		●		450
Q				●		●		●		●		●		●		●		●		●		560
R				●		●		●		●		●		●		●		●		●		670
S				●		●		●		●		●		●		●		●		●		780
T				●		●		●		●		●		●		●		●		●		890
U				●		●		●		●		●		●		●		●		●		1100



Size
规格

Hansen P4



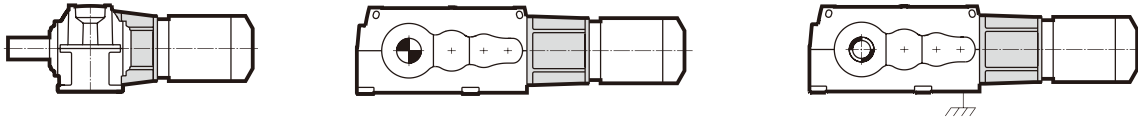
English	E
中文	中文



DRIVE PACKAGES

HORIZONTAL LOW SPEED SHAFT

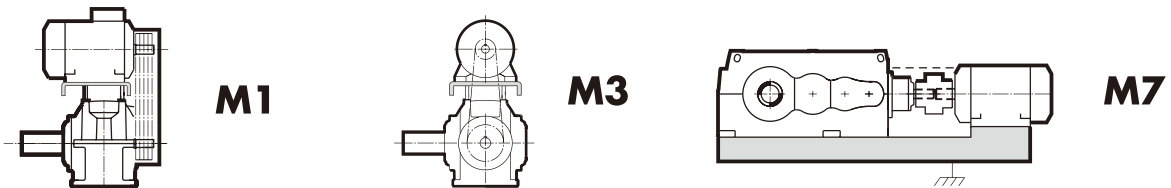
Lantern housings (3 or 4 stages only) (p. B15/B16/B31/B32)



Scoops (3 or 4 stages only)



Motor bases

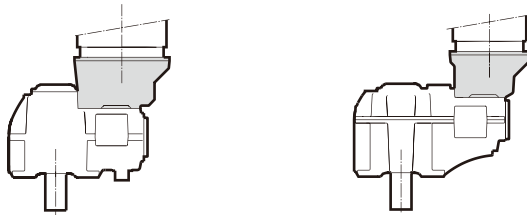


Base plates

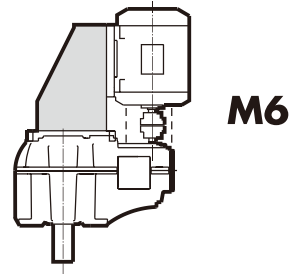


VERTICAL LOW SPEED SHAFT

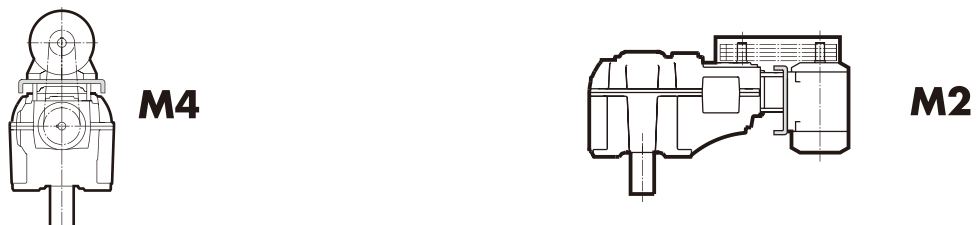
Lantern housings (p. C10/C13/C14/C17)



Scoops (3 or 4 stages only)



Adjustable motor bases (3 or 4 stages only)



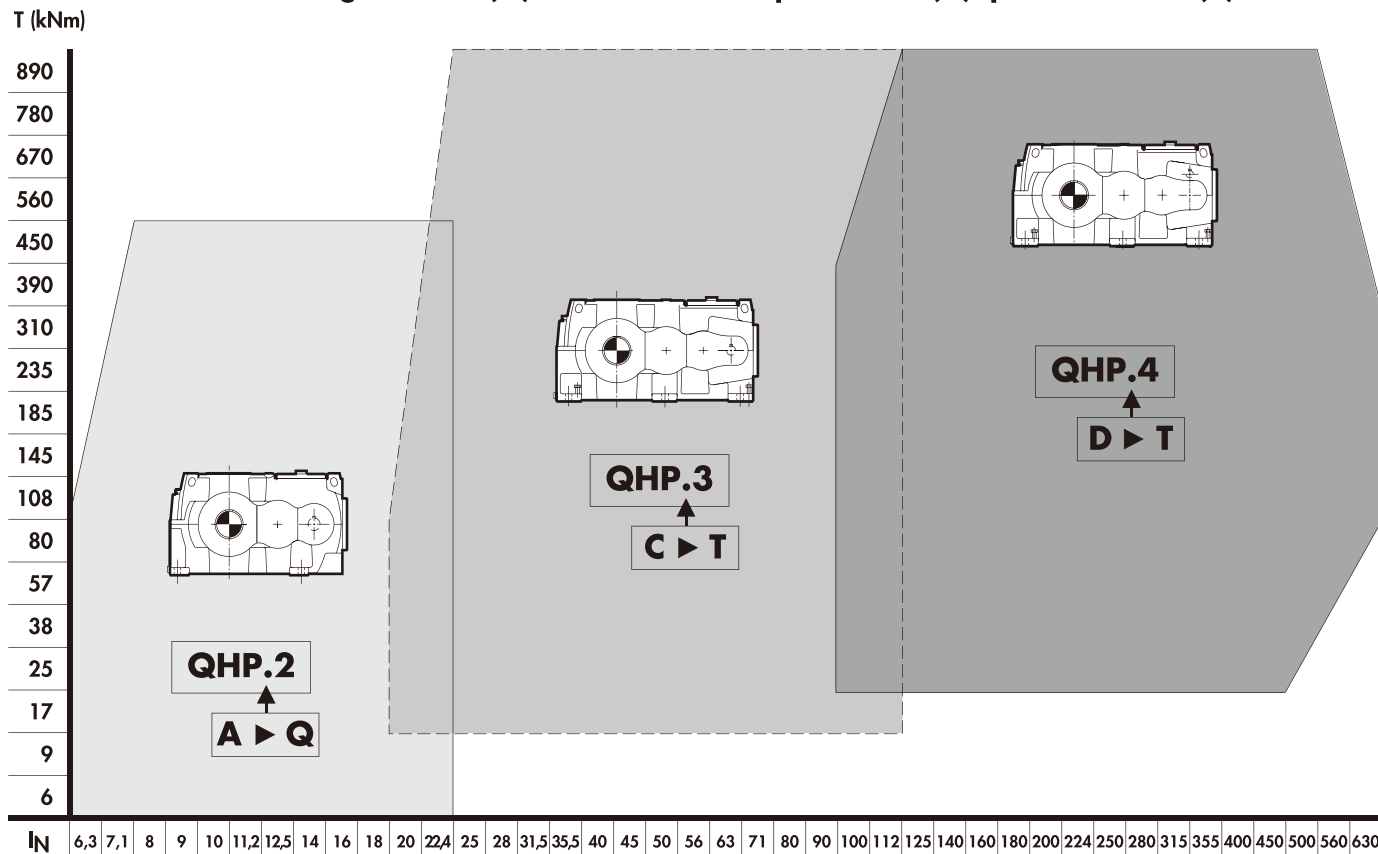
GENERAL CONTENTS

Page

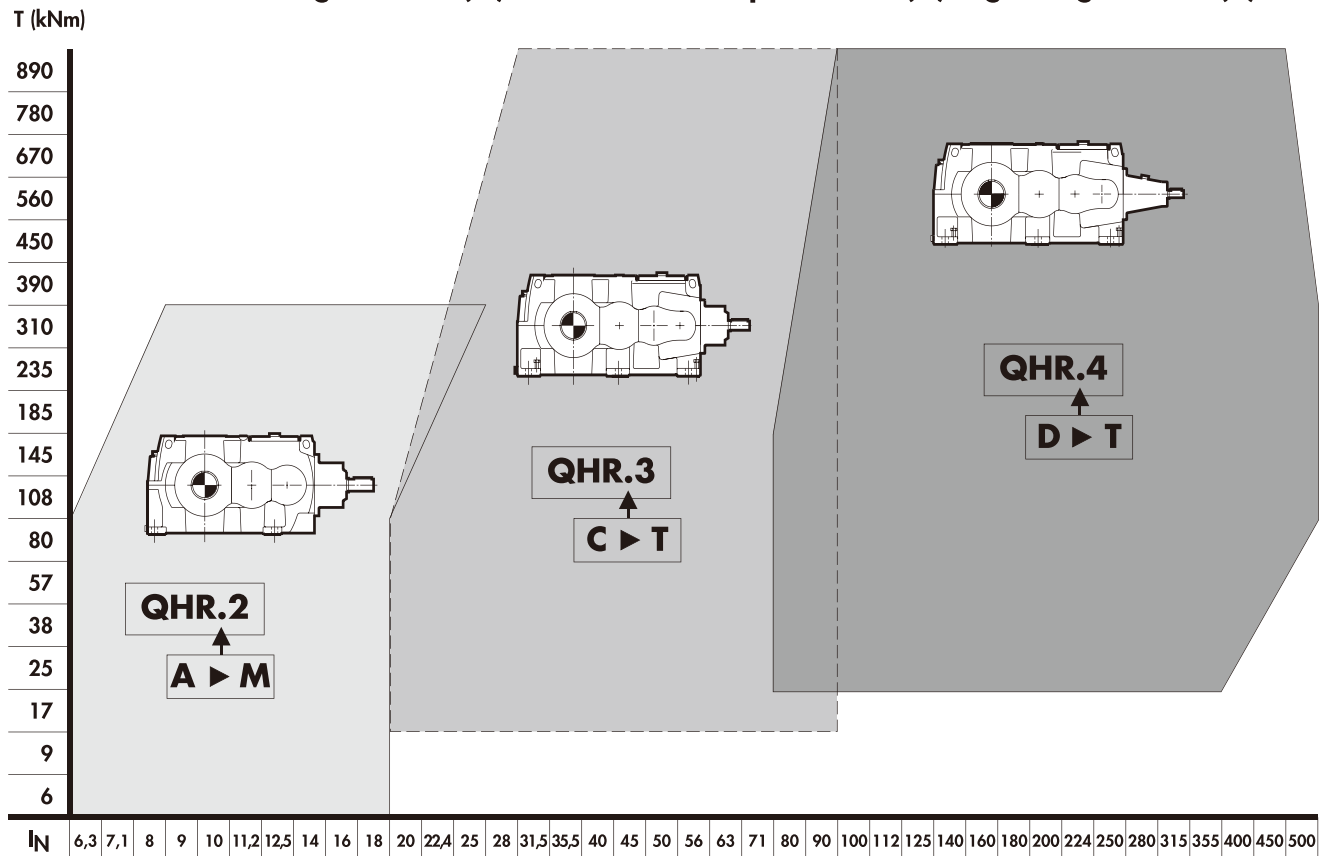
Section A			Page	E	
General	Drive packages		A1		
	Programme - Selection		A3 - A4		
	Description		A5 - A6		
	Selection				
	Mechanical power rating		A7		
	Application classification - Service Factor SF		A8		
	Thermal power rating		A9		
	Detailed example of selection		A10		
	Gear unit specification		A11		
	Technical data requested for quotation		A12		
	Section B Gear units with horizontal low speed shaft	Parallel shafts			
		Mechanical power ratings	2 / 3 / 4 stages	B1 / B3 / B5	
Thermal power ratings			B2 / B4 / B6		
Exact ratios i_{ex}			B7		
Moments of inertia J			B8		
Dimensional drawings					
Gear units		2 / 3 / 4 stages	B9-10 / B11-12 / B13-14		
Motor-reducer		3 / 4 stages	B15 / B16		
Right-angle shafts					
Mechanical power ratings		2 / 3 / 4 stages	B17 / B19 / B21		
Thermal power ratings			B18 / B20 / B22		
Exact ratios i_{ex}			B23		
Moments of inertia J			B24		
Dimensional drawings					
Gear units		2 / 3 / 4 stages	B25-26 / B27-28 / B29-30		
Motor-reducer		3 / 4 stages	B31 / B32		
Additional dimensional drawings					
Dipstick, magnetic plug (removal)			B33		
Hollow low speed shaft with shrink disc connection, machine shaft dimensions		B34			
Hollow low speed shaft with keyed connection, machine shaft dimensions		B35 - B36			
Cooling coil, options / cooling systems, torque arm		B37 / B38			
Section C Gear units with vertical low speed shaft	Parallel shafts				
	Mechanical power ratings	2 / 3 / 4 stages	C1 / C3 / C5		
	Thermal power ratings		C2 / C4 / C6		
	Exact ratios i_{ex}		C7		
	Moments of inertia J		C8		
	Dimensional drawings				
	Gear units	2 / 3 / 4 stages	C9 / C11-12 / C15-16		
	Motor-reducer	2 / 3 / 4 stages	C10 / C13-14 / C17		
	Right-angle shafts				
	Mechanical power ratings	2 / 3 / 4 stages	C19 / C21 / C23		
	Thermal power ratings		C20 / C22 / C24		
	Exact ratios i_{ex}		C25		
	Moments of inertia J		C26		
	Dimensional drawings				
	Gear units	2 / 3 / 4 stages	C27-28 / C29-30 / C31-32		
	Additional dimensional drawings				
	Dipstick, magnetic plug (removal)		C33		
	Flange at low speed shaft cover		C34		
Spigot at fixation feet		C35-36			
Cooling coil, options / cooling systems, torque arm		C37 / C38			

PROGRAMME SELECTION

Hansen P4 gear units (Q), horizontal low speed shaft (H), parallel shafts (P)



Hansen P4 gear units (Q), horizontal low speed shaft (H), right-angle shafts (R)

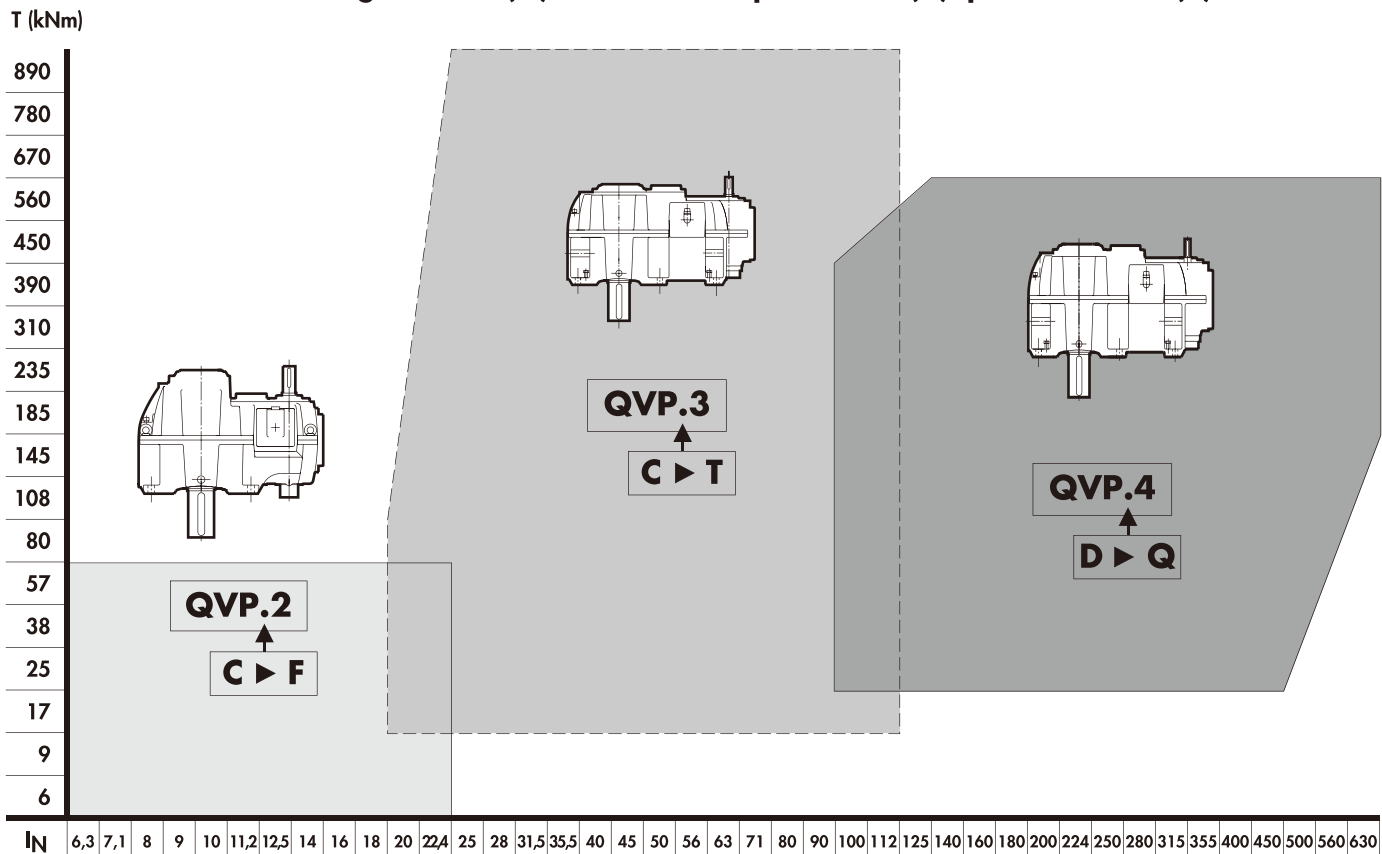


T (kNm): nominal torque at low speed shaft

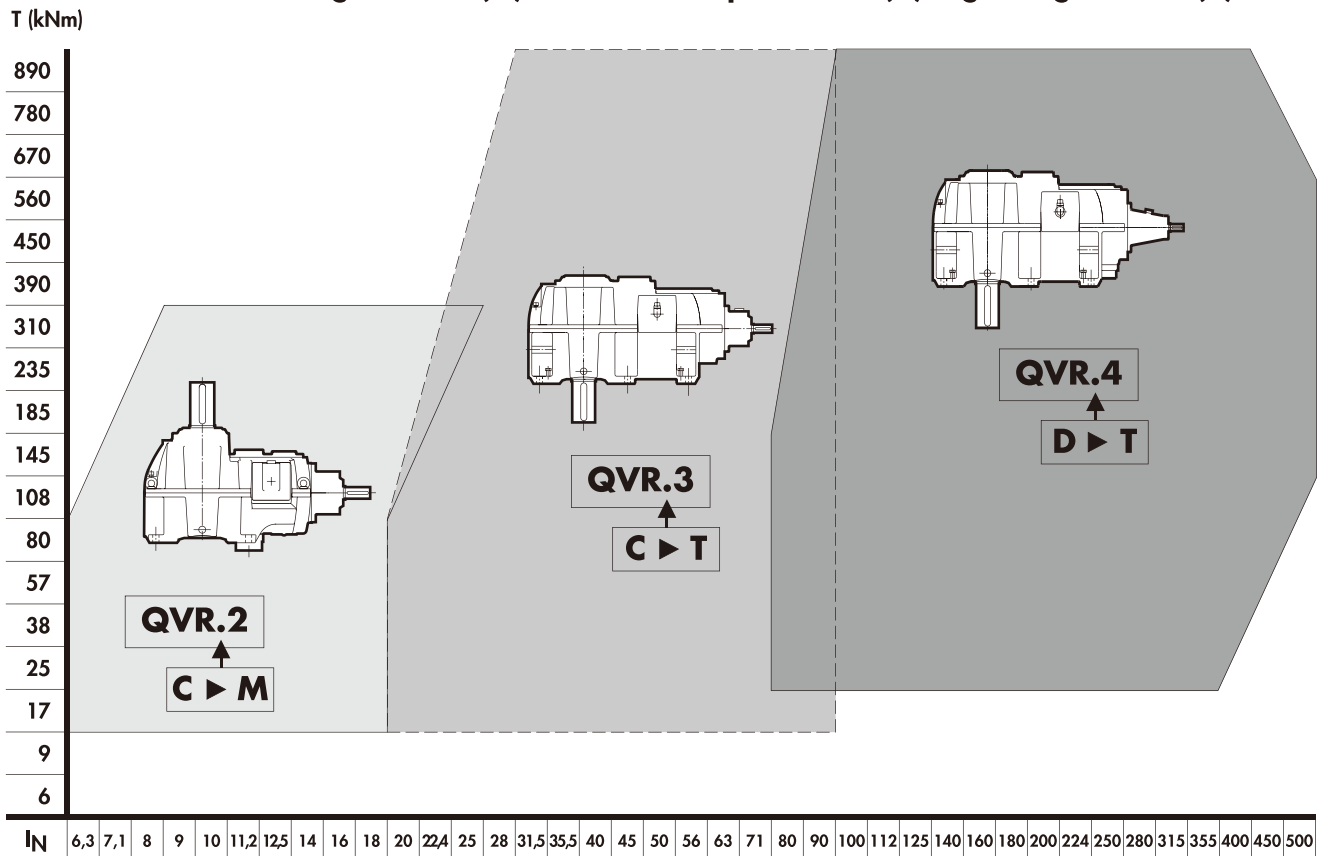
IN: nominal ratio

**PROGRAMME
SELECTION**

Hansen P4 gear units (Q), vertical low speed shaft (V), parallel shafts (P)



Hansen P4 gear units (Q), vertical low speed shaft (V), right-angle shafts (R)



T (kNm): nominal torque at low speed shaft

IN: nominal ratio

DESCRIPTION

The gear unit

Coding

1	2	3	4	5	5 bis	6	7	8	9
Q									

Type

- 1 : Series
 2 :
 3 :
 4 :
 5 :
Q: Hansen P4
H: Horizontal low speed shaft
V: Vertical low speed shaft
P: Parallel shafts
R: Right-angle shafts
 Size: **A -> T**
 Number of stages: 2, 3, 4

Centering at low speed shaft

- 5 bis : / : no centering
C: flange at low speed shaft cover
F: spigot at fixation feet of the gear unit

Shaft arrangement

- 6 : High speed shaft extension: **L:** left **U:** up
R: right **C:** right-angle
T: two shaft extensions
- 7 : Low speed shaft extension : **L:** left **U:** up
R: right **D:** down
T: two shaft extensions
- 8 : Low speed shaft type : **N:** normal solid shaft
D: hollow shaft with shrink disc
K: hollow shaft with keyway

Ratio

- 9 : Nominal ratio

Basic components

Helical and spiral bevel gears

Designed and rated:

- based on AGMA, ISO and long term field experience;
- for maximum load capacity, minimum losses and quiet operation.

The rating tables show the mechanical power ratings P expressed in kW, i.e. the power which the gear unit can transmit during 10h/day, at uniform load, whereby 5 peak torques up to 200% of the nominal torque and lasting not more than 5 seconds each, are allowed.

The mechanical power ratings shown in the tables relate respectively to input speeds of 1800, 1500, 1200, 1000, 900 and 750 RPM at the high speed shaft. They are also valid for full load speed which are max. 3% lower than the synchronous speeds.

Interpolation will yield power rating values for intermediate speeds. The power rating for speeds lower than 750 RPM is based on the continuous torque rating of that speed.

For input speeds exceeding 1800 RPM, please refer to us.

All geared components are manufactured from alloy steel, gas carburized, hardened and ground.

The same applies to all intermediate and high speed shafts which are generally designed as pinion shafts.

Low speed shafts

The low speed shafts are available in solid or hollow version. For horizontal low speed shafts, hollow shafts are shown in the catalogue with shrink disc connection, optionally with keyway connection.

Bearings

Heavy duty roller bearings of the tapered, cylindrical or spherical roller type.

Calculated in compliance with AGMA, ISO and renowned bearing manufacturers.

Housings, bearing housings and covers

Made from grey pearlitic cast iron;
 Machined on CNC machining centers;
 Designed to ensure strength and rigidity.

Systems

Lubrication

Lubricants: as a rule, mineral oils are used. Lubricants should always contain adequate EP-additives (refer to Service Manual).
 Horizontal shafts: splash lubrication is standard
 Vertical shafts: pump lubrication is standard
 The gear unit housing acts as a large oil sump
 Optional equipment : refer to page A11
 Forced feed lubrication, with oil filter and cooler is recommended for absorbed powers exceeding 700 kW.
 Pressure lubrication: if specified in the selection tables

Sealing

Static: generalized use of sealing compound
 inspection cover: O-ring
 vertical low speed shaft, shaft down: dry-well

Rotary: high speed shaft: Oil Lock™ : - dual purpose labyrinth
 - maintenance free
 - oil return to sump

low speed shaft: dust lip oil seal
 grease purged labyrinth seal optional.

Cooling

Heat generated in the gear unit while running, can be dissipated by:

- natural cooling through the housing
- fan cooling
- cooling coil
- water or air cooler

For thermal check, refer to page A9

Cooling provisions

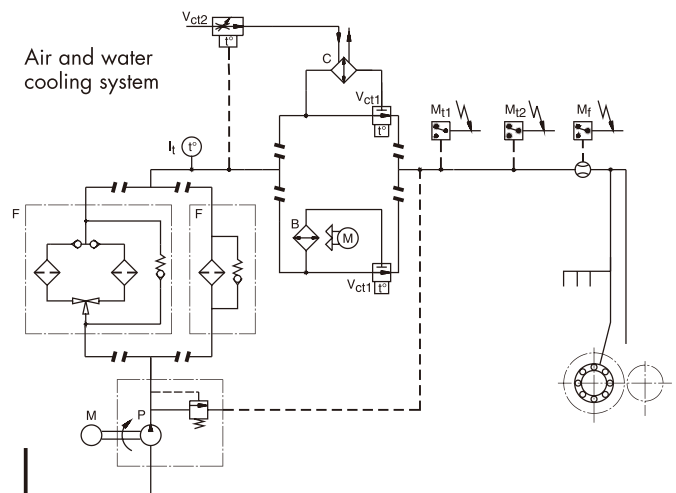
1. Standard fan cooling

One or two standard fans are mounted on the high speed shaft. Free air entry at the suction side should be guaranteed.

2. Standard water cooling coil

The extra thermal power rating P_{TC+} and the connection dimensions as shown in the catalog apply for a cooling system as indicated hereafter:

- a standard cooling coil made from copper alloy CuNi10Fe1Mn complying with DIN 17664 and allowing the use of fresh as well as seawater. (Maximum permissible water pressure: 8 bar)
- difference between oil bath and cooling water temperature is 60°C
- waterflow ranging between 5 and 17 l/min; precise specifications are shown on the certified dimensional drawing.
- dimensional drawings on page B37 for H-type units and page C37 for V-type units



DESCRIPTION

3. Air and water cooling system

When the standard fan cooling is either insufficient, or unsuitable because of the nature of the application or when a standard water cooling coil is not taken into consideration, an air or water cooling system may be recommended. Dimensional drawings on page B38 for H-type units and page C38 for V-type units.

3.1. The standard oil-to-air cooling system

This system can either be connected to the gear unit or supplied with it as a separate element. (diagram, fig. page A5)

3.2. The standard oil-to-water cooling system

This system can either be connected to the gear unit or supplied with it as a separate element. (diagram, fig. page A5)

3.3. The standard elements of the cooling systems

- 1) **Positive displacement pump P** with incorporated pressure relief valve.
Electric motor protection according to IP 54 (IEC)
Standard voltage range is either 230V/400V, 50Hz or 276/480V, 60Hz
- 2) **Oil-to-air cooler B**
A separately driven fan forces an air stream through the cooler. Standard voltage range is either 230V/400V, 50Hz or 276/480V, 60Hz
- 3) **Oil-to-water cooler C** using fresh water in counter flow.
Max. water pressure: 8 bar
An oil-to-water cooler C for cooling with seawater can be supplied upon special request.
- 4) **Flow switch Mf** controls the oil flow into the gear unit.
This switch can trigger an alarm signal when the oil supply is inadequate. In such an event, the gear unit has to be stopped at once and the cause of the interruption of the oil supply has to be removed.
- 5) **Filter F** with incorporated pressure relief valve and visual contamination indicator
- 6) **Thermostatic valve Vct1** in the oil circuit to by-pass cooler at low temperatures so as to limit oil pressure
- 7) **Thermometer It** to give actual monitored oil temperature
- 8) **Temperature switch Mt1** at the cooler outlet to indicate a high temperature condition
- 9) **Optional devices**
The cooling system can be equipped with following standard options:
 - **Temperature switch Mt2** monitoring the motor of the air cooler (air cooling system)
 - **Thermostatic valve Vct2** in the water supply circuit (water cooling system) to conserve water
 - **Duplex filter F** for continuous operation, with incorporated pressure relief valve and visual and/or electrical contamination indicator as an option
 - **Electrical and/or visual contamination indicator** incorporated in the filter

Note: when a cooling system is fitted, the oil level must be checked after a short test run (cooler should be filled with oil)

Accessories

Motor lantern and scoop: optional (page A1)

- motor lantern housing standard for 3 and 4 stage gear units with parallel or right-angle horizontal shafts (dimensional drawings refer to page B15, B16, B31 or B32)
- motor lantern housing standard for 2, 3 and 4 stage gear units with parallel vertical shafts (dimensional drawings refer to page C10, C13, C14 or C17)

Motor base: optional (page A1)

Flange at low speed shaft cover for gear units with vertical low speed shaft (dimensional drawing refer to page C34)

Spigot at fixation feet for gear units with vertical low speed shaft (dimensional drawings refer to page C35 and C36)

Torque arm: optional

- Fixation point: refer to dimensional drawings
- Execution and dimensions: refer to page B38

Backstop: optional

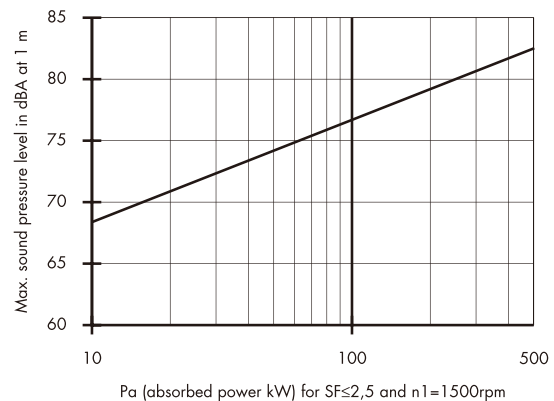
- Sprags, centrifugally lift-off type
- Lubricated by gear units' oil sump
- Easy service access
- Envelope dimensions: refer to dimensional drawings

Heaters: optional

Immersion oil heater for low temperature start-up is optional.

Sound pressure level

The chart shows the maximum sound pressure level at 1 meter, with 90% probability for Hansen P4 gear units at 1500 rpm input speed. Certified sound pressure level on request



Shipping conditions

Inspection prior to shipment

- No load test
- Conformance check to the acknowledgment of order

Protection

- Painting:
 - outer side housing: all Hansen P4 gear units are standard provided with a two component epoxy coating. Improved surface protection : good corrosion protection for many years in a non-aggressive atmosphere. Dry film thickness : average 100 µm (primer included). Excellent base for all kinds of special paints, these can also be applied on site after a longer period of time. Suitable to apply humidity resistant paint and high resistant paint as an option.
 - inner side housing: oil resistant paint
 - inner components: sprayed with rust preventive oil
- Shaft extensions: greased and protected with waxed waterproof paper

Lubricants

- Units are shipped without oil
- Grease lubrication points are factory filled

For information relating to storage, handling, installation, starting-up and maintenance, refer to the Service Manual which is supplied with each unit.

Hansen P4

97QX-0000012E A

SELECTION Mechanical power rating

Code	1	2	3	4	5	5 bis	-	6	7	8	-	9
	Q											

Procedure

1
Series **Q** : Hansen P4

2
Type
H : Horizontal low speed shaft
 (or inclined < 45°)
V : Vertical low speed shaft

3
Parallel shafts possible?
 Yes **P** : Parallel shafts
 No **R** : Right-angle shafts

4
Application
Load conditions
Prime mover

SF Service factor
SF

5
Actual absorbed power **P_a**
and
Motor power **P_m**

\times SF \leq P

9
Size
Number of stages
Ratio

P Mechanical power rating
P

5 bis
Centering at low speed shaft
C : flange at low speed shaft cover
F : spigot at fixation feet of the gear unit

6
High speed shaft extension
L : left
R : right
T : two shaft extensions
U : up
C : right-angle

7
Low speed shaft extension
L : left
R : right
T : two shaft extensions
U : up
D : down

8
Low speed shaft type
N : normal solid shaft
D : shrink disc hollow shaft
K : keyway hollow shaft

Reference Data

SF ▶ Page A8

Q - -

	↓	↓	↓	↓	↓	↓	↓	↓
P for	H P H P H P H R H R H R	2 3 4 2 3 4	▶ p. B1 - B2 ▶ p. B3 - B4 ▶ p. B5 - B6 ▶ p. B17 - B18 ▶ p. B19 - B20 ▶ p. B21 - B22	V P V P V P V R V R V R	2 3 4 2 3 4	▶ p. C1 ▶ p. C3 - C4 ▶ p. C5 - C6 ▶ p. C19 - C20 ▶ p. C21 - C22 ▶ p. C23 - C24		

Dimensional drawings

Solid shaft

Hollow shaft

Dimensional drawings

N : dimensional drawings
 D : dimensional drawings and page B34
 K : pages B35 and B36

SELECTION

Application classification - Service Factor SF

APPLICATION	SF min					
	3h		10h		24h	
	on Pa	on Pm	on Pa	on Pm	on Pa	on Pm
Agitators / Mixers						
Pure liquids	1,15	1,15	1,15	1,15	1,25	1,25
Liquids and solids	1,15	1,15	1,25	1,25	1,6	1,5
Liquids variable density	1,15	1,15	1,25	1,25	1,7	1,5
Cement industry						
Cement kilns					2	1,75
Dryers, coolers					1,75	1,5
Clay working machinery						
Brick press			1,75		2	
Briquette machine			1,75		2	
Compressors						
Centrifugal	1,25	1,15	1,5	1,25	1,5	1,25
Lobe	1,25	1,15	1,5	1,25	1,75	1,25
Waterring	1,25	1,15	1,5	1,25	1,75	1,5
Reciprocating, multi-cylinder		1,25	1,75	1,5	1,75	1,5
Reciprocating, single-cylinder		1,5	2	1,75	2	1,75
Conveyors						
Uniformly loaded or fed	1,15	1,15	1,15	1,15	1,25	1,15
Heavy duty	1,25	1,15	1,25	1,15	1,5	1,25
Reciprocating, shaking	1,5	1,25	1,75	1,5	2	1,75
Apron feeder, belt feeder	1,15	1,15	1,25	1,15	1,5	1,25
Screw feeder	1,15	1,15	1,25	1,15	1,5	1,25
Cranes and hoists *						
Hoist (non-reversing torque)						
Light duty	1,15		1,15		1,3	
Medium duty	1,15		1,25		1,45	
Heavy duty	1,25		1,45		1,85	
Travel drive or slewing						
Peak torque / nom. motor torque						
1,5		1,4		1,7		1,9
1,75		1,65		2		2,2
2,0		1,85		2,35		2,5
Luffing non-reversing torque	1,15		1,25		1,45	
reversing torque	1,4		1,7		1,9	
Boom hoist	1,25		1,25		1,5	
Crushers						
Stone or ore		1,75		2		2,25
Dredges						
Cable reels	1,25		1,25		1,5	
Cutter head or bucket chain drives	2		2		2,25	
Jig drives	2		2		2,25	
Winches	1,25		1,25		1,5	
Elevators						
Bucket elevator	1,15	1,15	1,25	1,15	1,5	1,25
Escalators	1,15		1,15		1,25	
Freight elevator	1,15		1,25		1,5	
Energy conversion						
Frequency converters		1,5		1,5		1,75
Water wheels (low speed)						1,5
Water turbines						2
Wind turbines						
Wind regime medium						1,75
heavy						2
Fans						
Heat exchangers	1,5		1,5		1,5	
Dry cooling towers			1,75	1,5	2	1,75
Wet cooling towers			1,75	1,5	2	1,75
Large fans (mines, industrial)	1,25	1,15	1,5	1,25	1,75	1,25
Food industry						
Beet slicers					2	
Cereal cookers	1,15		1,15		1,25	
Crushers		1,75		2		2,25

- * - selection according to FEM 1.001 specification upon request;
 - special document for selection of gear units for cranes is available;
 - hoists for transportation of people : refer to us.

- These service factors SF are empirical values based on AGMA and ISO specifications and our experience. They apply for "State of the art" designed driven machines and normal operating conditions. They apply for electric motors as prime movers. If prime motor is a multicylinder combustion motor, 0,25 has to be added to the SF. For multiple drives consider the actual load sharing.
 Refer to us for special designed applications or special operating conditions.

- Other applications not listed : refer to us.

APPLICATION	SF min					
	3h		10h		24h	
	on Pa	on Pm	on Pa	on Pm	on Pa	on Pm
Food industry (continued)						
Diffusers extraction					1,4	
Diffusers rotary					1,75	
Digesters						1,25
Dough mixers	1,25		1,25		1,5	
Extruders	1,5		1,5		1,5	
Filling machines	1,15		1,15		1,25	
Kernel expellers					1,75	1,5
Meat grinders	1,25		1,25		1,5	
Screw presses					1,25	1,15
Sugar cane carriers					1,75	1,5
Sugar cane knives					2	1,75
Sugar roller mills					2	1,75
Toasters, desolventisers					1,5	1,25
Mills (rotary type)						
Ball, rod,	1,5	1,25	1,75	1,5	2	1,75
Autogene	1,5	1,25	2	1,5	2	1,75
Dryers and coolers	1,5		1,5		1,75	1,5
Mining						
Bucket wheel drives						
Excavation						2,25
Reclaimer medium duty						1,5
Reclaimer heavy duty						2
Disc pelletisers						1,5
Rotary screens (stones or gravel)	1,15		1,25		1,5	
Pulp and Paper						
Calanders					1,5	1,25
Chippers						2,5
Cutters						2
Debarking drums						2
Dryers (anti friction bearings)					1,5	1,25
Lime kilns					1,75	1,5
Presses (felt and suction)					1,75	1,5
Pulpers						
Bales of recycling paper						2,5
Others						2
Pumps (vacuum)						
Centrifugal						1,75
Waterring						1,75
Piston						2
Reelers (surface type)					1,5	1,25
Rolls (non-reversing)						1,5
Winders/Unwinders					1,5	1,25
Pumps						
Centrifugal	1,25	1,15	1,25	1,15	1,5	1,25
Proportioning	1,25	1,15	1,25	1,15	1,5	1,25
Rotary gear type, lobe, vane	1,25	1,15	1,25	1,15	1,5	1,25
Reciprocating, multi-cylinder	1,25	1,15	1,5	1,25	1,75	1,5
Reciprocating, single-cylinder	1,5	1,25	1,75	1,5	2	1,75
Screw pumps		1,15		1,25		1,5
Recycling						
Crushers						2
Garbage drums						1,5
Fluidised bed grate					1,5	
Rubber and plastic						
Mixing mills						2
Rubber calanders						1,5
Extruders rubber	1,5		1,5		1,75	
plastic	1,5		1,5		1,5	
Water treatment						
Common aerator						1,75
Carrousel aerator						2
Brush aerator						2
Screw pump		1,15	1,25	1,15	1,5	1,25

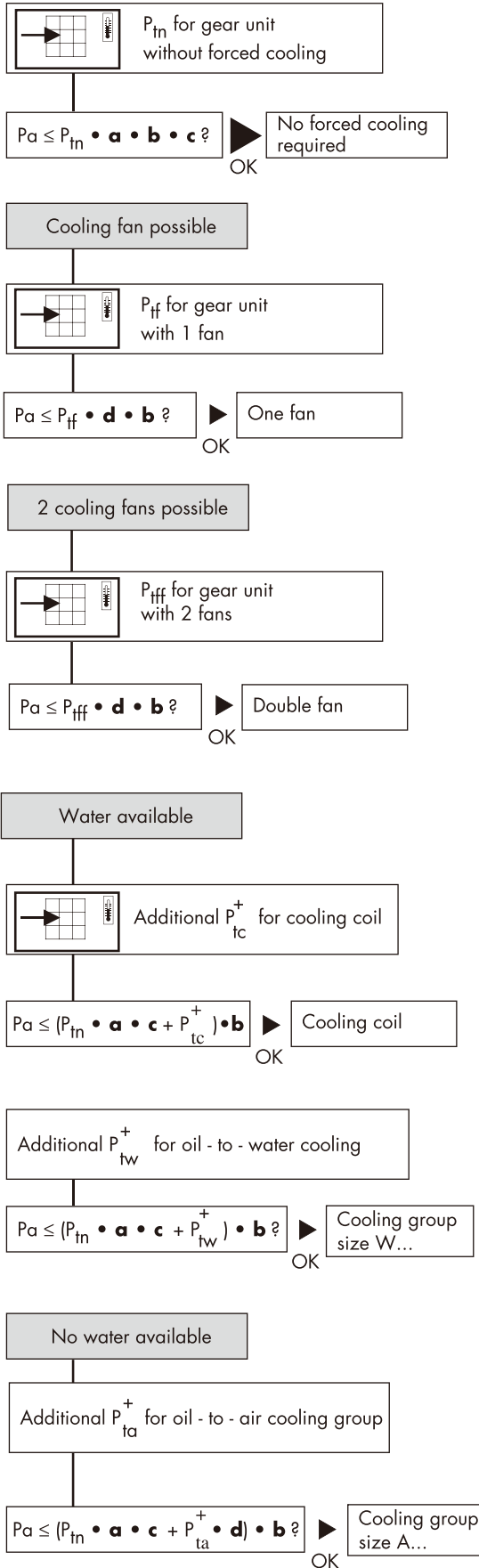
Pa = absorbed power

Pm = nameplate rating of the electric drive motor (or generator) at the motor (or generator) rated base speed.

SELECTION Thermal power rating



Thermal check



Reference Data

Q - -

P _{tn} , P _{ff}	H	P	2	p. B2	V	P	2	p. C2
	H	P	3	p. B4	V	P	3	p. C4
	H	P	4	p. B6	V	P	4	p. C6
	H	R	2	p. B18	V	R	2	p. C20
P _{fff} , P _{tc} ⁺	H	R	3	p. B20	V	R	3	p. C22
	H	R	4	p. B22	V	R	4	p. C24

for

factor **a** for ambient temperature without forced cooling

Reduction Ratio	Ambient temperature in °C					
	15 to 25		25 to 35		35 to 45	
6,3 → 11,2	1	0,81	0,78	0,68	0,55	-
12,5 → 18	1	0,85	0,81	0,71	0,66	0,6
≥ 20	1	0,87	0,85	0,75	0,74	0,7
Size	A ▶ T	A ▶ H	J ▶ T	A ▶ D	E ▶ H	J ▶ T

factor **b** for duration of service

h/year	h/day (max)								
	3			10			>16		
1000	1,2	1,3	1,4	1,5	1,2	1,2	1,3	1,4	1,2
2000	-	-	-	-	1,1	1,1	1,2	1,3	1,1
≥ 4000	-	-	-	-	-	-	-	-	1
Size	A ▶ D	E ▶ G	H ▶ L	M ▶ T	A ▶ D	E ▶ G	H ▶ L	M ▶ T	A ▶ T

factor **c** for air circulation (without fan)

Mounting	Air flow			
Indoors - small enclosure	≥ 0,5 m/s	0,73	0,70	0,65
Indoors - normal working area	≥ 1,4 m/s	1	1	1
Outdoors - protected against sun	≥ 3,0 m/s	1,33	1,36	1,40
Size		A ▶ D	E ▶ H	J ▶ T

factor **d** for ambient temperature with forced cooling

	Number of stages	Ambient temperature in °C			
		15 to 25	25 to 35	35 to 45	45 to 55
with	2	1	0,86	0,72	0,59
forced cooling	3 & 4	1	0,88	0,75	0,62

P_{tw}^+ oil-to-water cooling groups (kW) To be applied only if basic thermal power ratings are listed

size	W1	W2	W3	W4
2 stages	235	415	730	1000
3 stages	175	310	550	750
4 stages	140	250	440	600

P_{ta}^+ oil-to-air cooling groups (kW) To be applied only if basic thermal power ratings are listed

size	A1	A2	A3	A4
2 stages	175	320	520	880
3 stages	130	245	390	660
4 stages	105	195	310	530

SELECTION

Detailed example of selection

Conveyor drive $P_G = 54 \text{ kW}$, $n_2 = 33 \text{ min}^{-1}$

Mechanical power rating (page A7)

- Horizontal low speed shaft
- Right-angle shafts required
- application: see above
- load conditions: heavy duty 16h/24h
- prime mover: electric motor
- SF = 1,5 (page A8)
- $P_G \times \text{SF} = 54 \times 1,5 = 81 \text{ kW}$

2	H
3	R

- Ratio:

$$i = \frac{n_1}{n_2} = \frac{1500}{33} = 45,5$$

9	45
---	----

- Size and number of stages :
mechanical power rating $P = 90 \text{ kW}$ (page B19)
check : $P_G \times \text{SF} = 81 \text{ kW} \leq P = 90 \text{ kW}$
dimensional drawings on page B27

4	D
5	3

- Right-angle shafts
- Machine shaft to the right
- Hollow shaft with shrink disc

6	C
7	R
8	D

Please indicate gear unit type on the gear unit specification sheet (p. A11):

1	Q	2	H	3	R	4	D	5	3	-	6	C	7	R	8	D	-	9	4	5
---	---	---	---	---	---	---	---	---	---	---	---	---	---	---	---	---	---	---	---	---

Thermal power rating (page A9)

First case

Operational parameters:

- . ambient temperature = 30°C :
correction factor without forced cooling : $a = 0.87$ (p. A9)
- . operating time 16 h/day & > 4000 h/year : $b = 1$ (p. A9)
- . mounted outdoors : $c = 1.33$ (p. A9)

- Thermal power rating for gear unit without forced cooling:
 $P_{tn} = 50 \text{ kW}$ (p. B20)
Check: $54 \text{ kW} \leq ? 50 \text{ kW} \times 0.87 \times 1 \times 1.33 = 58 \text{ kW} : \text{OK!}$

No extra cooling is required.

no extra cooling	<input checked="" type="checkbox"/>	fan	<input type="checkbox"/>	double fan	<input type="checkbox"/>	cooling coil	<input type="checkbox"/>
------------------	-------------------------------------	-----	--------------------------	------------	--------------------------	--------------	--------------------------

p. A11

Second case

Operational parameters:

- . ambient temperature = 40°C :
correction factor without forced cooling : $a = 0.75$ (p. A9)
correction factor with forced cooling : $d = 0.75$ (p. A9)
- . operating time 16 h/day & > 4000 h/year : $b = 1$ (p. A9)
- . mounted indoors, normal working area : $c = 1$ (p. A9)

- Gear unit without forced cooling: $P_{tn} = 50 \text{ kW}$ (p. B20)

Check: $P_G \leq ? P_{tn} \times a \times b \times c$
 $54 \text{ kW} \leq ? 50 \text{ kW} \times 0.75 \times 1 \times 1 = 37,5 \text{ kW} : \text{not OK!}$

Extra cooling is required.

- **Cooling fan possible:** $P_{ff} = 100 \text{ kW}$ (p. B20)

Check: $P_G \leq ? P_{ff} \times d \times b$
 $54 \text{ kW} \leq ? 100 \text{ kW} \times 0.75 \times 1 = 75 \text{ kW} : \text{OK!}$

Cooling fan solution can be selected.

Dimensional drawing on page B27.

no extra cooling	<input type="checkbox"/>	fan	<input checked="" type="checkbox"/>	double fan	<input type="checkbox"/>	cooling coil	<input type="checkbox"/>
------------------	--------------------------	-----	-------------------------------------	------------	--------------------------	--------------	--------------------------

p. A11

- **Water available**

• Cooling coil: $P_{tc}^+ = 84 \text{ kW}$ (p. B20)

Check: $P_G \leq ? (P_{tn} \times a \times c + P_{tc}^+) \times b$
 $54 \text{ kW} \leq ? (50 \times 0.75 \times 1 + 84) \times 1 = 121,5 \text{ kW} : \text{OK!}$

Cooling coil solution can be selected.

Description page A5, dimensional drawing page B37

no extra cooling	<input type="checkbox"/>	fan	<input type="checkbox"/>	double fan	<input type="checkbox"/>	cooling coil	<input checked="" type="checkbox"/>
------------------	--------------------------	-----	--------------------------	------------	--------------------------	--------------	-------------------------------------

p. A11

• Oil-to-water cooler: $P_{tw}^+ = 175, 310, 550, 750 \text{ kW}$ (W1 -> W4, p. A9)

Check: $P_G \leq ? (P_{tn} \times a \times c + P_{tw}^+) \times b$
 $54 \text{ kW} \leq ? (50 \times 0.75 \times 1 + 175) \times 1 = 212,5 \text{ kW} : \text{W1 OK!}$

Oil-to-water cooler solution size 1 can be selected

Description and options page A6, dimensional drawing page B38

cooling system	size	1	<input checked="" type="checkbox"/>	2	<input type="checkbox"/>	3	<input type="checkbox"/>	4	<input type="checkbox"/>
oil-to-water			<input checked="" type="checkbox"/>		<input type="checkbox"/>		<input type="checkbox"/>		<input type="checkbox"/>
oil-to-air			<input type="checkbox"/>		<input type="checkbox"/>		<input type="checkbox"/>		<input type="checkbox"/>
pressure lubrication			<input type="checkbox"/>		<input type="checkbox"/>		<input type="checkbox"/>		<input type="checkbox"/>

p. A11

- **No water available**

Oil-to-air cooler: $P_{ta}^+ = 130, 245, 390, 660 \text{ kW}$ (A1 -> A4, p. A9)

Check: $P_G \leq ? (P_{tn} \times a \times c + P_{ta}^+ \times d) \times b$
 $54 \text{ kW} \leq ? (50 \times 0.75 \times 1 + 130 \times 0.75) \times 1 = 135 \text{ kW} :$

A1 OK!

Oil-to-air cooler solution size 1 can be selected.

Description and options page A6, dimensional drawing page B38

cooling system	size	1	<input checked="" type="checkbox"/>	2	<input type="checkbox"/>	3	<input type="checkbox"/>	4	<input type="checkbox"/>
oil-to-water			<input type="checkbox"/>		<input type="checkbox"/>		<input type="checkbox"/>		<input type="checkbox"/>
oil-to-air			<input type="checkbox"/>		<input checked="" type="checkbox"/>		<input type="checkbox"/>		<input type="checkbox"/>
pressure lubrication			<input type="checkbox"/>		<input type="checkbox"/>		<input type="checkbox"/>		<input type="checkbox"/>

p. A11

Hansen P4

97QX-0000032E A

GEAR UNIT SPECIFICATIONS

Ref :

Date :

Name :

Signature :

SELECTED TYPE

1	2	3	4	5	5 bis	-	6	7	8	-	9
---	---	---	---	---	-------	---	---	---	---	---	---

$P_{nom} =$ kW $SF =$ $P_a =$ kW **quantity**
 $P_{mot} =$ kW $n_{HSS} =$ min⁻¹ / $n_{LSS} =$ min⁻¹
 speed (constant) : $n_{HSS} =$ min⁻¹ / $n_{LSS} =$ min⁻¹
 exact ratio = Red. Mult
 direction of rotation LSS : CW CCW

solid LSS

hollow LSS

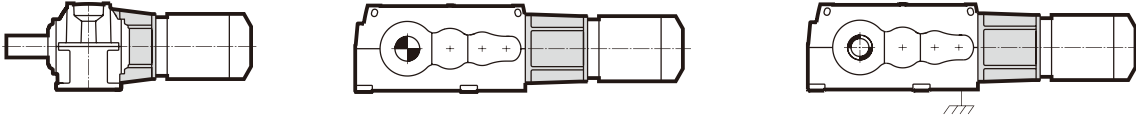
<p>no extra cooling <input type="checkbox"/></p> <p>fan <input type="checkbox"/></p> <p>double fan <input type="checkbox"/></p> <p>cooling coil (p. A5) <input type="checkbox"/></p> <p>cooling system (p. A6) <input type="checkbox"/></p> <p style="padding-left: 20px;">size 1 <input type="checkbox"/></p> <p style="padding-left: 20px;">2 <input type="checkbox"/></p> <p style="padding-left: 20px;">3 <input type="checkbox"/></p> <p style="padding-left: 20px;">4 <input type="checkbox"/></p> <p style="padding-left: 20px;">oil-to-water (fresh water) <input type="checkbox"/></p> <p style="padding-left: 40px;">(seawater) <input type="checkbox"/></p> <p style="padding-left: 20px;">oil-to-air <input type="checkbox"/></p> <p>pressure lubrication <input type="checkbox"/></p>	<p>Reference data</p> <p>-</p> <p>*</p> <p>*</p> <p>p.B37/C37</p> <p>p.B38/C38</p> <p>p.B38/C38</p> <p>p.B38/C38</p> <p>p.B38/C38</p> <p>p.B38/C38</p>	<p>backstop required Y <input type="checkbox"/> N <input type="checkbox"/></p> <p>Low speed shaft bearing design for:</p> <p style="padding-left: 20px;">radial load Y <input type="checkbox"/> N <input type="checkbox"/></p> <p style="padding-left: 20px;">thrust load Y <input type="checkbox"/> N <input type="checkbox"/></p> <p>* refer to dimensional drawings</p>	<p>Reference data</p> <p>*</p>
--	--	--	--------------------------------

<p>OPTIONS</p> <p>1. MOTOR MOUNT :</p> <p>IEC frame : <input type="checkbox"/></p> <p>(If not IEC, add dimensional drawing)</p> <p>lantern housing <input type="checkbox"/></p> <p>adjustable motor platform(M1 - M2 - M3 - M4) <input type="checkbox"/></p> <p>scoop (M5 - M6 - M8) <input type="checkbox"/></p> <p>motor base (M7) <input type="checkbox"/></p> <p>bed plate (M10 - M12) <input type="checkbox"/></p> <p>2. SHAFTS :</p> <p>inch <input type="checkbox"/></p> <p>hollow LSS : bronze bushing <input type="checkbox"/></p> <p>3. OTHER :</p> <p>anti-humidity breather plug <input type="checkbox"/></p> <p>dust-proof breather plug <input type="checkbox"/></p> <p>drain cock with hose coupling <input type="checkbox"/></p> <p>grease-purged labyrinth at LSS <input type="checkbox"/></p> <p>double oil seal at LSS <input type="checkbox"/></p> <p>Duplex bolts <input type="checkbox"/></p> <p>torque arm <input type="checkbox"/></p> <p>hollow shaft assy / disassy tooling <input type="checkbox"/></p> <p>external locking element <input type="checkbox"/></p> <p>heater <input type="checkbox"/></p>	<p>Reference data</p> <p>p. A1</p> <p>p. A1</p> <p>p. A1</p> <p>p. A1</p> <p>p. A1</p> <p>inch catal.</p> <p>p.B37/C37</p> <p>p.B37/C37</p>	<p>4. PAINTING : Selection of corrosivity category</p> <table border="1" style="width: 100%; border-collapse: collapse;"> <thead> <tr> <th rowspan="2">Durability range - Iso 12944-1</th> <th colspan="6">Corrosivity category - Iso 12944-2</th> </tr> <tr> <th>C1</th> <th>C2</th> <th>C3</th> <th>C4</th> <th>C5-I</th> <th>C5-M</th> </tr> </thead> <tbody> <tr> <td>L (Low)</td> <td><input type="checkbox"/></td> <td><input type="checkbox"/></td> <td><input type="checkbox"/></td> <td><input type="checkbox"/></td> <td><input type="checkbox"/></td> <td><input type="checkbox"/></td> </tr> <tr> <td>M (Medium)</td> <td><input type="checkbox"/></td> <td><input type="checkbox"/></td> <td><input type="checkbox"/></td> <td><input type="checkbox"/></td> <td><input type="checkbox"/></td> <td><input type="checkbox"/></td> </tr> <tr> <td>H (High)</td> <td><input type="checkbox"/></td> <td><input type="checkbox"/></td> <td><input type="checkbox"/></td> <td><input type="checkbox"/></td> <td><input type="checkbox"/></td> <td><input type="checkbox"/></td> </tr> </tbody> </table> <p>5. INSTRUMENTATION :</p> <p>oil level : switch <input type="checkbox"/></p> <p style="padding-left: 20px;">oil sight glass <input type="checkbox"/></p> <p>oil flow switch (only for V-types) <input type="checkbox"/></p> <p>oil sump temperature</p> <p style="padding-left: 20px;">fixed alarm <input type="checkbox"/></p> <p style="padding-left: 20px;">adjustable alarm <input type="checkbox"/></p> <p style="padding-left: 20px;">meter Pt100 <input type="checkbox"/></p> <p style="padding-left: 40px;">with transmitter <input type="checkbox"/></p> <p>if cooling system, circulation or pressure lubrication :</p> <p style="padding-left: 20px;">filter contamination : - mechanical indicator <input type="checkbox"/></p> <p style="padding-left: 40px;">- electrical indicator <input type="checkbox"/></p> <p style="padding-left: 20px;">duplex filter <input type="checkbox"/></p> <p>if oil-to-water cooler :</p> <p style="padding-left: 20px;">thermostatic valve water flow <input type="checkbox"/></p> <p>if oil-to-air cooler :</p> <p style="padding-left: 20px;">fan thermostat <input type="checkbox"/></p>	Durability range - Iso 12944-1	Corrosivity category - Iso 12944-2						C1	C2	C3	C4	C5-I	C5-M	L (Low)	<input type="checkbox"/>	<input type="checkbox"/>	<input type="checkbox"/>	<input type="checkbox"/>	<input type="checkbox"/>	<input type="checkbox"/>	M (Medium)	<input type="checkbox"/>	<input type="checkbox"/>	<input type="checkbox"/>	<input type="checkbox"/>	<input type="checkbox"/>	<input type="checkbox"/>	H (High)	<input type="checkbox"/>	<input type="checkbox"/>	<input type="checkbox"/>	<input type="checkbox"/>	<input type="checkbox"/>	<input type="checkbox"/>	<p>Reference data</p> <p>p.B37/C37</p> <p>p.B37/C37</p> <p>p. C37</p> <p>p. A6</p> <p>p. A6</p> <p>p. A6</p>
Durability range - Iso 12944-1	Corrosivity category - Iso 12944-2																																				
	C1	C2	C3	C4	C5-I	C5-M																															
L (Low)	<input type="checkbox"/>	<input type="checkbox"/>	<input type="checkbox"/>	<input type="checkbox"/>	<input type="checkbox"/>	<input type="checkbox"/>																															
M (Medium)	<input type="checkbox"/>	<input type="checkbox"/>	<input type="checkbox"/>	<input type="checkbox"/>	<input type="checkbox"/>	<input type="checkbox"/>																															
H (High)	<input type="checkbox"/>	<input type="checkbox"/>	<input type="checkbox"/>	<input type="checkbox"/>	<input type="checkbox"/>	<input type="checkbox"/>																															

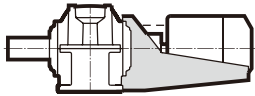
传动装置

水平低速轴

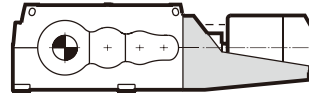
电机法兰式联接 (仅限于3级或4级)



铲斗式电机座 (仅限于3级或4级)



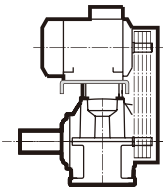
M5



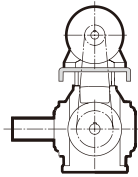
M8

电机底座

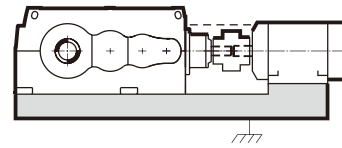
浮动式底座



M1

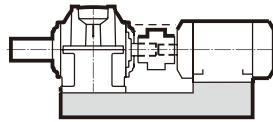


M3

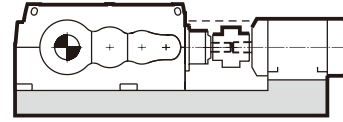


M7

固定式底座



M10

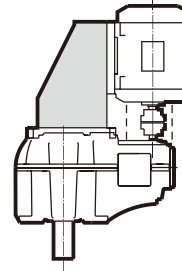
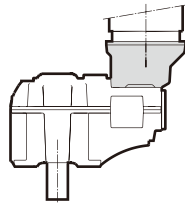
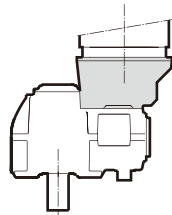


M12

垂直低速轴

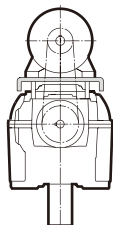
电机法兰式联接

铲斗式联接

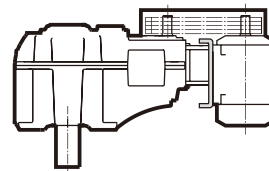


M6

可调式电机底座 (仅限于3级或4级)



M4



M2

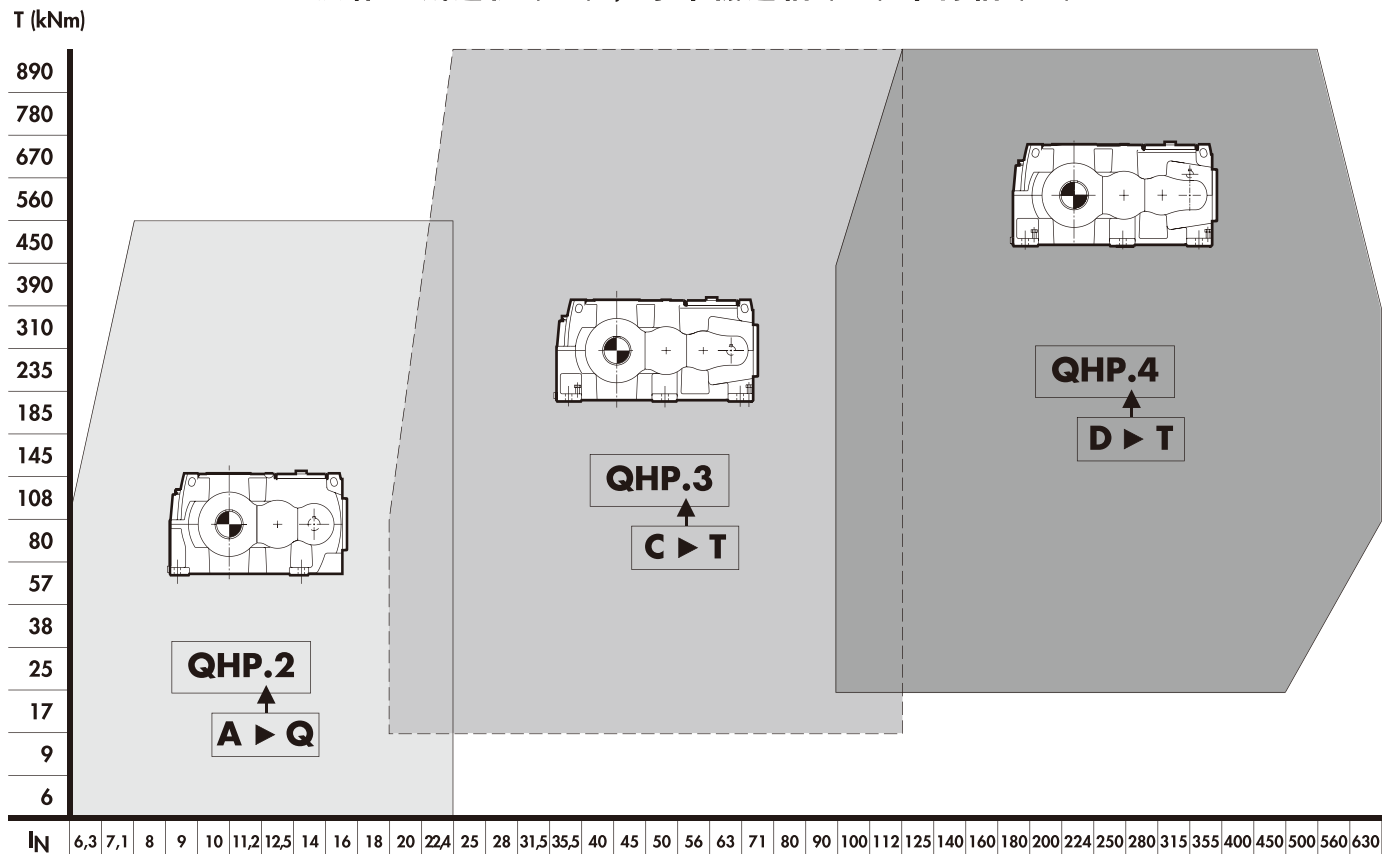
目录

页

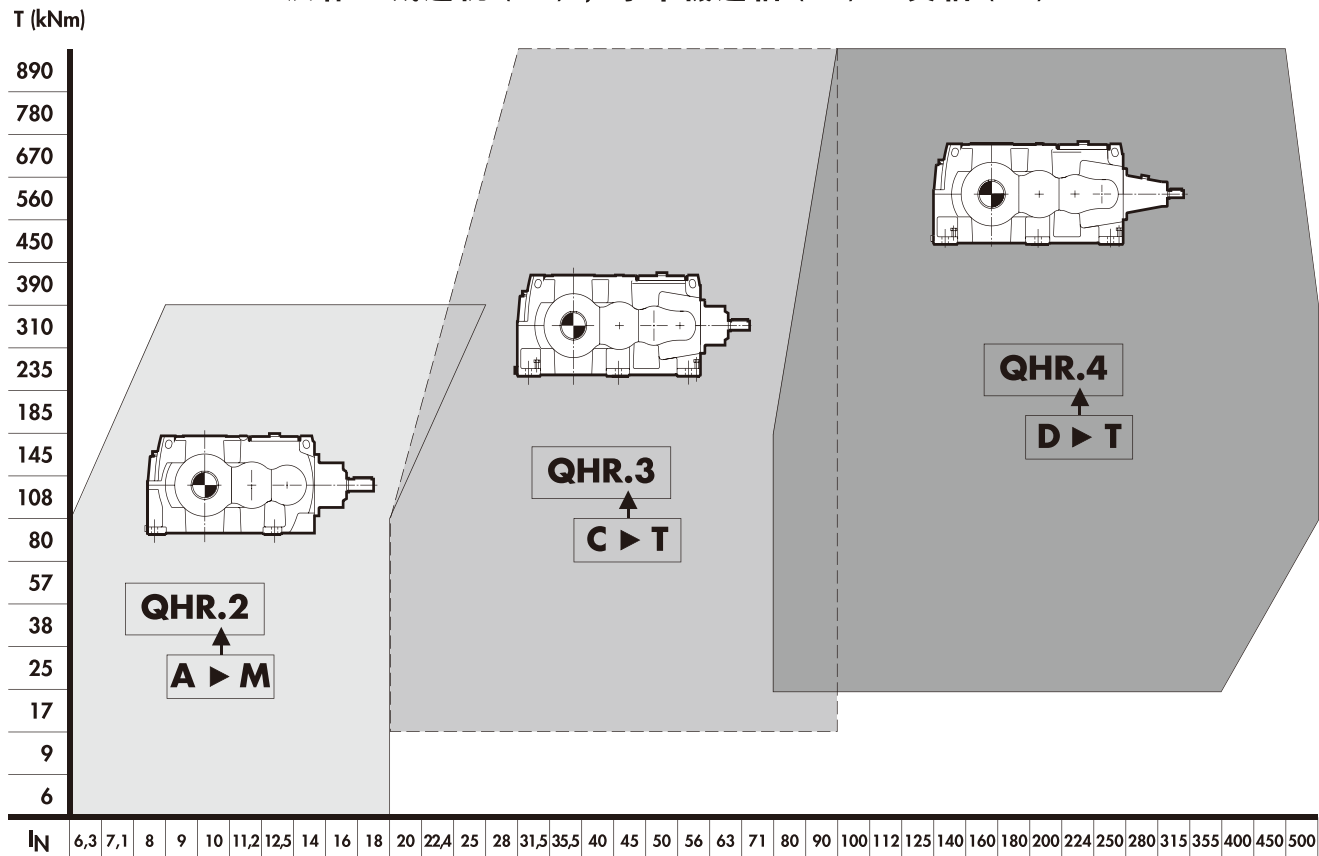
第一章 概述	传动装置		A13	中文
	可选方案		A15–A16	
	说明		A17–A18	
	选型			
	机械功率		A19	
	应用分类–服务系数 SF		A20	
	热功率		A21	
	选型示例		A22	
减速机技术规范		A23		
报价所需技术数据		A24		
第二章 水平低速 轴减速机	平行轴			
	机械功率	2/3/4级	B1/B3/B5	
	热功率		B2/B4/B6	
	精确传动比 iex		B7	
	转动惯量 J		B8	
	尺寸图			
	减速机	2/3/4级	B9–10/B11–12/B13–14	
	带电机的减速机	3/4级	B15/B16	
	正交轴			
	机械功率	2/3/4级	B17/B19/B21	
	热功率		B18/B20/B22	
	精确传动比 iex		B23	
	转动惯量 J		B24	
	尺寸图			
	减速机	2/3/4级	B25–26/B27–28/B29–30	
	带电机的减速机	3/4级	B31/B32	
	其他尺寸图			
	油标尺、磁性堵头（可拆卸）		B33	
	带缩紧盘的空心低速轴、输出轴尺寸		B34	
	带平键连接的空心低速轴、输出轴尺寸		B35–B36	
冷却盘管、选件/冷却系统、扭矩臂		B37/B38		
第三章 垂直低速 轴减速机	平行轴			
	机械功率	2/3/4级	C1/C3/C5	
	热功率		C2/C4/C6	
	精确传动比 iex		C7	
	转动惯量 J		C8	
	尺寸图			
	减速机	2/3/4级	C9/C11–12/C15–16	
	带电机的减速机	2/3/4级	C10/C13–C14/C17	
	正交轴			
	机械功率	2/3/4级	C19/C21/C23	
	热功率		C20/C22/C24	
	精确传动比 iex		C25	
	转动惯量 J		C26	
	尺寸图			
	减速机	2/3/4级	C27–28/C29–30/C31–32	
	其他尺寸图			
	油标尺、磁性堵头（可拆卸）		C33	
	低速轴端盖带联接法兰		C34	
	底脚带定位凸缘		C35–36	
	冷却盘管、选件/冷却系统、扭矩臂		C37/C38	

可选方案

汉森P4减速机 (Q), 水平低速轴 (H) 平行轴 (P)



汉森P4减速机 (Q), 水平低速轴 (H) 正交轴 (R)

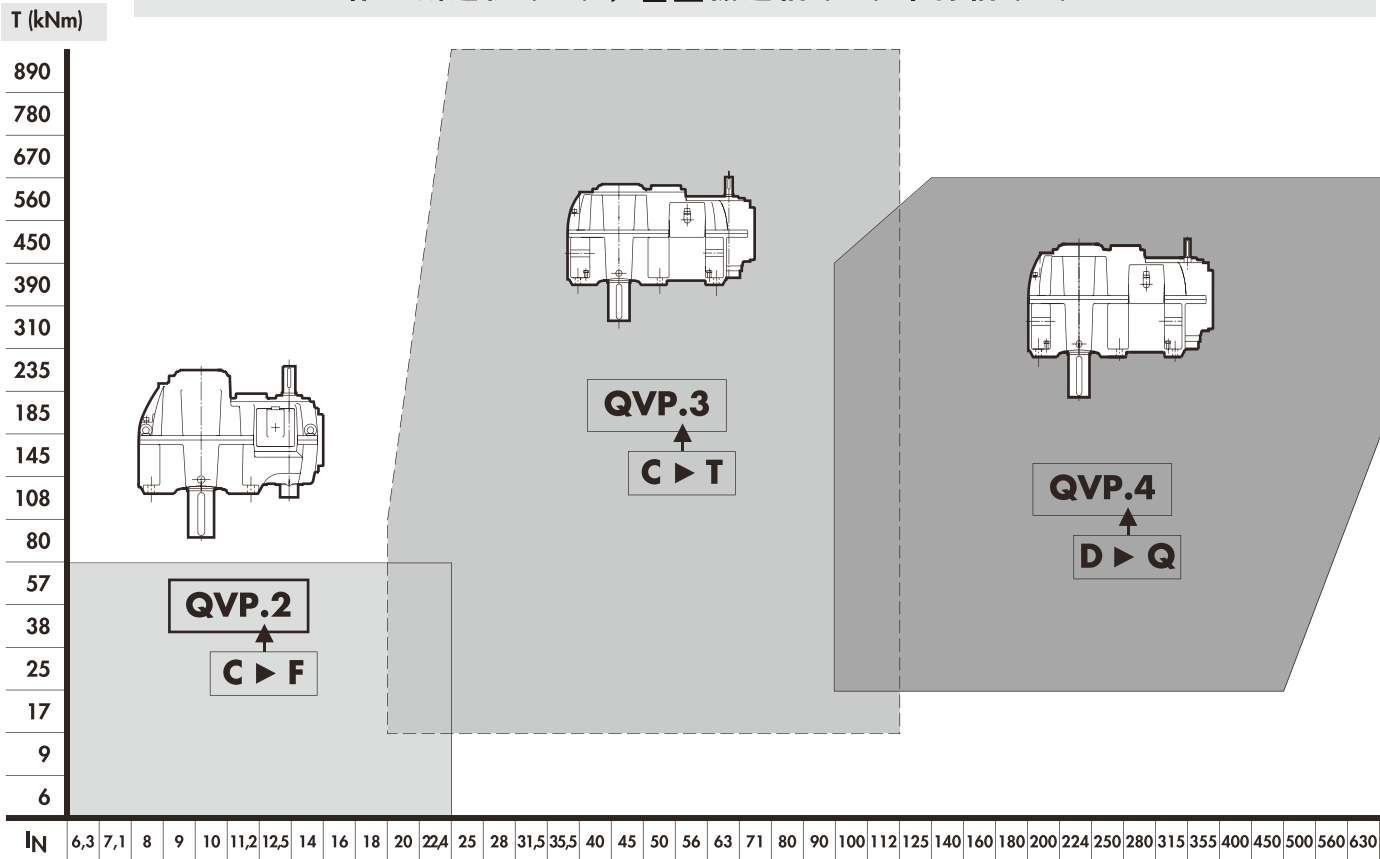


T (kNm): 低速轴标称扭矩

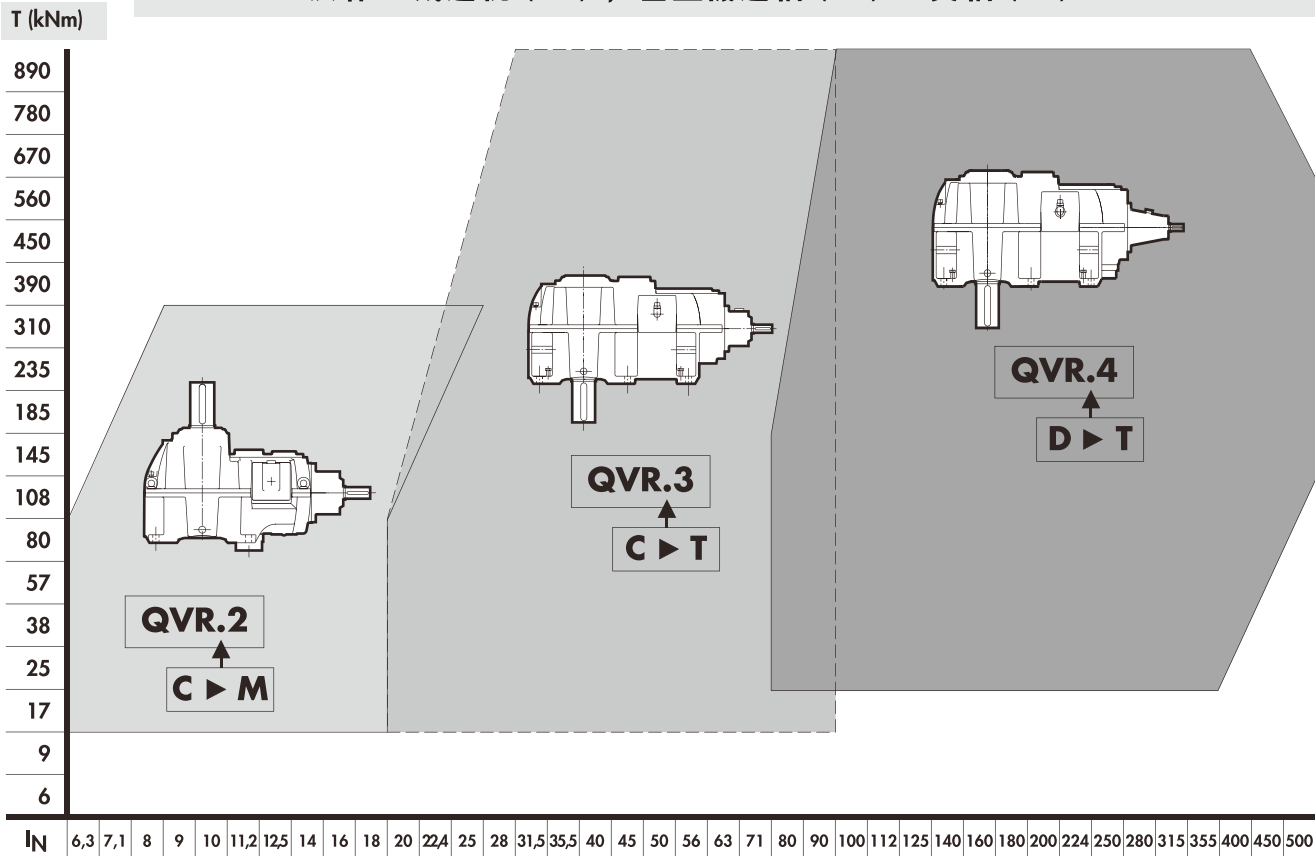
IN: 标称速比

可选方案

汉森P4减速机 (Q), 垂直低速轴 (V) 平行轴 (P)



汉森P4减速机 (Q), 垂直低速轴 (V) 正交轴 (R)



T (kNm): 低速轴标称扭矩

IN: 标称速比

说明

减速机

编码

1	2	3	4	5	5 bis	-	6	7	8	-	9	
---	---	---	---	---	-------	---	---	---	---	---	---	--

型号

1: 序列号	Q: 汉森 P4
2:	H: 水平低速轴
3:	V: 垂直低速轴
4:	P: 平行轴
5:	R: 正交轴
5: 低速轴定中心方式	规格: A→T
5: bis	级数: 2,3,4
	/: 无定中心
	C: 低速轴端盖带联接法兰
	F: 底脚带定位凸缘

轴排列方式

6: 高速轴出轴方向:	L: 左 U: 上
	R: 右 C: 直角
	T: 双向出轴
7: 低速轴出轴方向:	L: 左 U: 上
	R: 右 D: 下
	T: 双向出轴
8: 低速轴类型:	N: 普通实心轴
	D: 有缩紧盘的空心轴
	K: 有键槽的空心轴

传动比

9: 标称传动比

基本部件

斜齿轮和螺旋伞齿轴

设计依据和评估:

-依据美国齿轮制造商协会 (AGMA)、ISO 标准以及长期的实践经验;

-根据降低损耗和噪声的原则最大限度地提高承载能力。

技术参数表中标称机械功率 P 的单位是 kW, 例如减速机在均匀负载条件下每天工作 10 小时所能传送的功率: 允许有 5 次峰值扭矩, 最高可达标称扭矩的 200%, 每次持续时间不超过 5 秒钟。表中所示的标称机械功率分别对应于高速轴的不同输入转速: 1800、1500、1200、1000、900 和 750 转/分。这些数据还适用于满载条件下的转速不低于同步转速的 3%。

中间转速所对应的机械功率值可通过插值算法得出。转速低于 750 RPM 的机械功率值是根据该转速下的标称连续转矩计算出来的。

至于输入转速超过 1800 RPM 的情况, 请向我们查询。所有齿轮传动部件均由合金钢经气体渗碳、淬硬和磨削加工制成。

所有中间轴和高速轴也与齿轮轴采用同样的原料和加工工艺制造。

低速轴

低速轴有实心轴和空心轴可供选择。样本中的水平式低速轴有带缩紧盘式空心轴和键联接空心轴供选择。

轴承

锥形、圆柱形或球面重载滚子轴承。

设备计算符合 AGMA、ISO 和知名轴承制造商的标准。

箱体、轴承座和保护盖

由珠光体灰铸铁制成;

CNC 组合加工中心机床加工;

具有足够的强度和刚度;

系统

润滑系统

润滑剂: 按规定要求使用矿物油。润滑剂应含有足够量的 EP-添加剂 (参见服务手册)。

水平轴: 标准润滑方式为飞溅润滑

正交轴: 标准润滑方式为泵润滑

减速机本身就是一个大油箱

选装设备: 参见第 A23 页

对于吸收功率超过 700 kW 的减速机, 建议采用配备了机油滤清器和机油冷却器的强制润滑方式。

压力润滑: 须在选型表中注明。

密封系统

静态密封: 一般采用封口胶

检修孔盖: O-型密封圈

垂直低速轴, 轴伸向下: 干井密封

转动密封: 高速轴: 锁油式密封: - 两用迷宫密封

- 免维护

- 机油回流至箱体内部

低速轴: 防尘油封

迷宫密封供选用。

冷却系统

减速机运行时产生的热量可通过以下方式散热:

- 借助箱体自然冷却
- 风扇冷却
- 冷却盘管
- 水冷或风冷式冷却器

选择时, 请参见第 A21 页

冷却装置

1. 标准风扇冷却

高速轴上可安装一至两个标准风扇。应保证吸气侧空气流通顺畅。

2. 标准水冷式冷却盘管

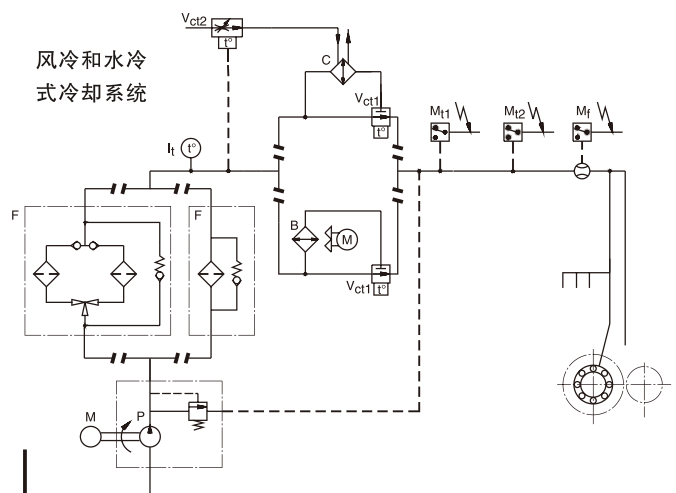
目录中列出的额外热功率和连接规格适用于以下所述冷却系统:

-标准冷却盘管由符合 DIN 17664 标准的铜合金制成 (CuNi10Fe1Mn), 可使用淡水和海水作为介质。(最大允许水压: 8 bar)

-油池与冷却水之间的温度差为 60°C

-冷却水流量范围 5-17 升/分; 精确参数详见经确认的安装图。

B37 页为水平安装减速机的尺寸图, C37 页为垂直安装减速机的尺寸图



说明

3. 风冷和水冷式冷却系统

当标准风扇冷却能力不足，或者因安装条件不允许或不考虑标准水冷盘管而不适宜采用标准风扇冷却时，建议考虑采用风冷或水冷式冷却系统。B38 页为水平安装减速机的尺寸图，C38 页为垂直安装减速机的尺寸图。

3.1. 标准油-空气冷却系统

该系统可连接至减速机，或者可以作为其独立部件使用。（见 A17 页图）

3.2. 标准油-水冷却系统

该系统可连接至减速机，或者可以作为其独立部件使用。（见 A17 页图）

3.3. 冷却系统标准冷却部件

1) 容积式泵 P，配备了一体式减压阀。

电机保护符合 IP 54 (IEC) 标准

标准电压范围是 230V/400V, 50Hz 或 276/480V, 60Hz

2) 油-空气冷却器 B

独立驱动的风扇将气流吹过冷却器。标准电压范围是 230V/400V, 50Hz 或 276/480V, 60Hz

3) 油-水冷却器 C 利用反向流动的淡水作交换介质。

最大水压：8 bar

使用海水的油-水冷却器 C 可根据要求供货。

4) 流量开关 Mf 用于控制进入减速机的机油流量。

当润滑油量不足时，该开关可触发警报信号。在这种情况下，必须立即停止使用减速机，清除导致机油供应量不足的原因。

5) 滤清器 F，配备有一体式减压阀和可视污染指示器。

6) 温控阀 Vct1，可在低温条件下开通冷却器旁路，以调整机油压力。

7) 温度计 It，可显示机油的实际温度

8) 温度开关 Mt1，位于冷却器出口处，可提示出现的高温情况

9) 选装设备

冷却系统可配备下列标准选配件：

-温度开关 Mt2，可用于监控空气冷却器电机的温度（风冷系统）

-温控阀 Vct2，位于水路中（水冷系统）用于节水之目的。

-双联过滤器 F，配备有减压阀，并可选配可视和/或电子式污染指示器

-电子式和/或可视污染指示器

整合于滤清器内部

注：安装好冷却系统并经过简短试运行后，必须检查机油油位（冷却器应灌注机油）。

附件

电机法兰和铲斗式电机座：选装（第 A13 页）

·适用于3级和4级平行或直交平行轴减速机的电机法兰和铲斗式电机座（尺寸图参见 B15、B16、B31 或 B32 页）

·适用于2级、3级和4级平行轴减速机的标准电机电机法兰和铲斗式电机座（尺寸图参见 C10、C13、C14 或 C17 页）

电机座：选装（第 A13 页）

低速轴端盖法兰 适用于垂直低速轴减速机（尺寸图参见 C34 页）

凸缘式底脚适用于垂直低速轴减速机（尺寸图参见 C35 和 C36 页）

力矩臂：选装

·固定点：参见尺寸图

·执行情况和外形尺寸参见第 B38 页

逆止器：选装

·非接触楔块式单向离合器

·由减速机机油池润滑

·维护简便

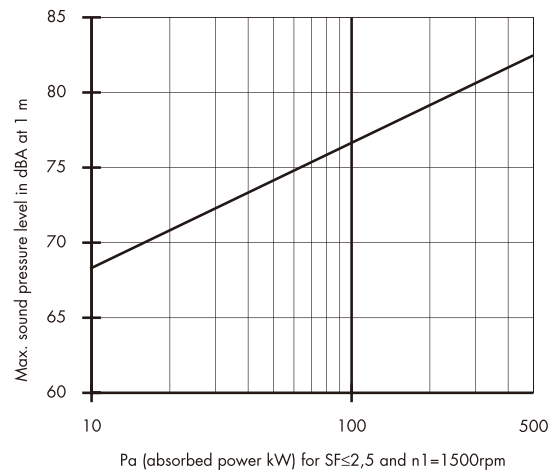
·外形尺寸参见尺寸图

加热器：选装

浸入式机油加热器，为低温起动选装件。

声压级

该图给出了汉森 P4 减速机在 1500 rpm 输入转速条件下，距离 1 米远处约 90% 可能的声压级。可提供声压级证明。



运输条件

装运前检查

- 空载检测
- 按订单进行符合性检查

运输防护

·涂装：

-外壳：所有汉森P4 减速机均有双组分环氧树脂涂层。改进的表面防护：良好的防腐处理，可保证在侵蚀性大气条件下的多年使用。

漆层厚度：平均 100 μm（包括底漆）。

-箱体内侧：涂耐油漆

-内部零件：喷涂防锈油

- 轴外伸部：涂润滑脂并以防水蜡纸包裹

润滑剂

·减速机采取无油运输方式

·润滑脂润滑点部位出厂时已添加

关于储藏、搬运、安装、起动和维护方面的详细资料，请参见随机提供的《服务手册》。

Hansen P4

97QX-0000012F A

机械功率选型

编码:

1	2	3	4	5	5 bis	-	6	7	8	-	9
Q											

选用程序

1

Q系列: 汉森P4

2

型式: **H**: 水平低速轴 (或倾角小于45°)

V: 垂直低速轴

是否选平行轴

是 **P**: 平行轴

否 **R**: 正交轴

3

负载
载荷条件
原动机

▶ **SF** 服务系数

SF

实际吸收功率 P_a
和/或
电机功率 P_m

\times **SF** \leq **P**

4
5
9

规格
级数
速比

▶ **P** 机械功率

5 bis

低速轴对中连接方式

C: 低速轴端盖法兰

F: 凸缘式底脚

6

高速轴伸

L: 左 **U**: 上

R: 右 **C**: 直角

T: 双轴伸

7

低速轴伸

L: 左 **U**: 上

R: 右 **D**: 下

T: 双轴伸

8

低速轴型式:

N: 普通实心轴

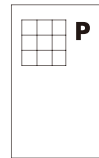
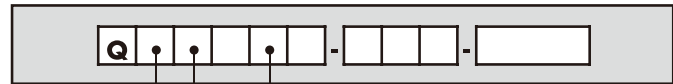
D: 收缩盘空心轴

K: 键槽空心轴

参考数据



▶ 见A20页

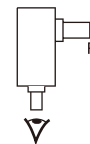


H	P	2	▶	p. B1 - B2	V	P	2	▶	p. C1
H	P	3	▶	p. B3 - B4	V	P	3	▶	p. C3 - C4
H	P	4	▶	p. B5 - B6	V	P	4	▶	p. C5 - C6
H	R	2	▶	p. B17 - B18	V	R	2	▶	p. C19 - C20
H	R	3	▶	p. B19 - B20	V	R	3	▶	p. C21 - C22
H	R	4	▶	p. B21 - B22	V	R	4	▶	p. C23 - C24

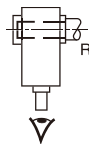
尺寸图

尺寸图

实心轴



空心轴



N: 尺寸图

D: 尺寸图及B34页

K: 见B35和B36页

应用分类 服务系数SF

应用:	SF min					
	3h		10h		24h	
	on Pa	on Pm	on Pa	on Pm	on Pa	on Pm
搅拌机/混拌器						
纯液态	1,15	1,15	1,15	1,15	1,25	1,25
液态和固态	1,15	1,15	1,25	1,25	1,6	1,5
高密度液体	1,15	1,15	1,25	1,25	1,7	1,5
水泥工业						
回转窑					2	1,75
干燥机, 冷却机					1,75	1,5
粘土加工设备						
压砖机			1,75		2	
压煤机			1,75		2	
压缩机						
离心压缩机	1,25	1,15	1,5	1,25	1,5	1,25
碟片压缩机	1,25	1,15	1,5	1,25	1,75	1,25
水流压缩机	1,25	1,15	1,5	1,25	1,75	1,5
往复多缸压缩机		1,25	1,75	1,5	1,75	1,5
往复单缸压缩机		1,5	2	1,75	2	1,75
皮带输送机						
固定载荷进料	1,15	1,15	1,15	1,15	1,25	1,15
重载	1,25	1,15	1,25	1,15	1,5	1,25
往复、振动载荷	1,5	1,25	1,75	1,5	2	1,75
皮带和刮板式输送机	1,15	1,15	1,25	1,15	1,5	1,25
螺旋输送机	1,15	1,15	1,25	1,15	1,5	1,25
起重设备及卷扬机*						
卷扬机 (无反向扭矩)						
轻载	1,15		1,15		1,3	
中载	1,15		1,25		1,45	
重载	1,25		1,45		1,85	
行走或回转						
尖峰扭矩/公称电机扭矩						
1.5		1,4		1,7		1,9
1.75		1,65		2		2,2
2.0		1,85		2,35		2,5
俯仰-无反向扭矩	1,15		1,25		1,45	
反向扭矩	1,4		1,7		1,9	
旋臂式吊车	1,25		1,25		1,5	
粉碎机						
石头或矿石		1,75		2		2,25
挖掘机						
电缆绞车	1,25		1,25		1,5	
刀头或铲斗链传动机	2		2		2,25	
机架传动装置	2		2		2,25	
绞盘	1,25		1,25		1,5	
提升机						
斗式提升机	1,15	1,15	1,25	1,15	1,5	1,25
扶梯	1,15		1,15		1,25	
货运电梯	1,15		1,25		1,5	
能量转换器						
变频器		1,5		1,5		1,75
水轮机 (低速)					1,5	
水力发电设备					2	
风力发电设备						1,75
中等						2
重载						
风扇						
热交换器	1,5		1,5		1,5	
干式冷却塔			1,75	1,5	2	1,75
湿式冷却塔			1,75	1,5	2	1,75
大型风扇 (矿山、工业用)	1,25	1,15	1,5	1,25	1,75	1,25
食品工业						
甜菜切块机					2	
谷类膨化机	1,15		1,15		1,25	
粉碎机		1,75		2		2,25

应用:	SF min					
	3h		10h		24h	
	on Pa	on Pm	on Pa	on Pm	on Pa	on Pm
食品工业 (继)						
榨汁机					1,4	
旋转榨汁机					1,75	
蒸发器						1,25
和面机	1,25		1,25		1,5	
挤压机	1,5		1,5		1,5	
填料机	1,15		1,15		1,25	
除核机					1,75	1,5
搅肉机				1,25	1,5	
螺杆式挤压机					1,25	1,15
甘蔗运输机					1,75	1,5
甘蔗切碎器					2	1,75
榨糖机					2	1,75
烘干机					1,5	1,25
磨 (旋转型)						
球磨、棒磨	1,5	1,25	1,75	1,5	2	1,75
自生	1,5	1,25	2	1,5	2	1,75
干燥器及冷却器	1,5		1,5		1,75	1,5
采矿业						
斗轮驱动装置						
挖掘						2,25
推料料机 中等载荷						1,5
重载						2
盘式圆矿机						1,5
旋转筛 (石头或砂砾)	1,15		1,25		1,5	
纸浆及造纸						
压光机					1,5	1,25
切碎机						2,5
切纸刀						2
剥皮机						2
干燥机					1,5	1,25
石灰窑					1,75	1,5
压榨机 (油毡、真空)					1,75	1,5
纸浆机						
再生纸打包机						2,5
其它						2
泵 (真空)						
离心泵						1,75
水泵						1,75
活塞泵						2
卷纸机					1,5	1,25
压轧 (单向)						1,5
卷取机/开卷机					1,5	1,25
泵						
离心泵	1,25	1,15	1,25	1,15	1,5	1,25
比例泵	1,25	1,15	1,25	1,15	1,5	1,25
旋转齿轮泵、碟片泵	1,25	1,15	1,25	1,15	1,5	1,25
往复多缸	1,25	1,15	1,5	1,25	1,75	1,5
往复单缸	1,5	1,25	1,75	1,5	2	1,75
螺旋泵		1,15		1,25		1,5
回收利用						
破碎机						2
垃圾处理滚筒						1,5
液化床格					1,5	
橡胶和塑料						
搅拌机						2
橡胶研光机						1,5
挤压机: 橡胶	1,5		1,5		1,75	
塑料	1,5		1,5		1,5	
水处理设备						
通用曝气机						1,75
转盘式曝气机						2
转刷曝气机						2
螺旋输送机		1,15		1,25		1,5

*根据要求参照FEM.1.001规格参数选型:

Pa=吸收功率

-提供用于起重机的减速机选型的特殊条件:

Pm=电机 (发电机) 在标称速度下铭牌功率

-用于客梯的减速机选型: 向汉森传动咨询。

-表中的服务系数SF是基于AGMA和ISO标准以及我们的经验基础上得出的经验值, 满足现代化设备的驱动设备及普通工作条件, 适用于原动机为电机的设备。

如果原动机为多缸内燃机, 则需在SF上加0.25

对于特殊应用或特别工作条件, 请向汉森传动咨询。

-尚未列出的应用范围: 向汉森传动咨询。

选型示例

传送带驱动装置 $P_a = 54 \text{ kW}$, $n_2 = 33 \text{ min}^{-1}$

标称机械功率 (参见 A19 页)

- 水平低速轴
- 要求采用正交轴



- 应用: 如上所述
- 负荷情况: 重载 16h/24h
- 原动机: 电机

SF = 1,5 (参见 A20 页)

$P_a \times SF = 54 \times 1,5 = 81 \text{ kW}$

· 变速比:

$$i = \frac{n_1}{n_2} = \frac{1500}{33} = 45,5$$



· 规格和级数:

标称机械功率 $P = 84 \text{ kW}$

(参见 B19 页)

校验: $P_a \times SF = 81 \text{ kW} \leq P = 84 \text{ kW}$

尺寸图在 B27 页

- 正交轴
- 机械轴向右
- 有缩紧盘的中空轴



请在减速机规格表 (A23 页) 中填写减速机的型号:

1	2	3	4	5	6	7	8	9			
Q	H	R	D	3	-	C	R	D	-	4	5

热功率 (参见 A21 页)

示例 1

工作参数:

· 环境温度 = 30°C

无强制冷却时的校正系数: $a = 0,87$
(A21 页)

· 工作时长 16 小时/天, 每年 > 4000 小时:
 $b = 1$ (A21 页)

· 室外安装: $c = 1,33$ (A21 页)

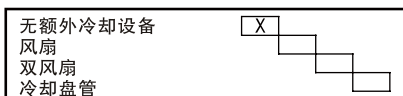
- 减速机在无强制冷却情况下的热功率:

$P_{tn} = 50 \text{ kW}$ (见B20)

校验: $54 \text{ kW} \leq 50 \text{ kW} \times 0,87 \times 1 \times 1,33$

$= 58 \text{ kW}$:校验通过!

无需额外的冷却设备。



见A23

示例 2

工作参数:

· 环境温度 = 40°C

无强制冷却时的校正系数 : $a = 0,75$ (见A21)

采用强制冷却时的校正系数 : $d = 0,75$ (见A21)

· 工作时长 16 小时/天, 每年 > 4000 小时 : $b = 1$ (见A21)

· 室内安装, 正常工作面积 : $c = 1$ (见A21)

- 无强制冷却设备的减速机: $P_{tn} = 50 \text{ kW}$ (见B20)

校验: $P_a \leq P_{tn} \times a \times b \times c$

$54 \text{ kW} \leq 50 \text{ kW} \times 0,75 \times 1 \times 1 = 37,5 \text{ kW}$:校验未通过!

需增加额外的冷却设备。

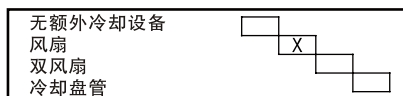
- 可采用冷却风扇: $P_{ff} = 100 \text{ kW}$ (见B20)

校验: $P_a \leq P_{ff} \times d \times b$

$54 \text{ kW} \leq 100 \text{ kW} \times 0,75 \times 1 = 75 \text{ kW}$:校验通过!

可选择冷却风扇解决方案。

尺寸图详见 B27 页。



见A23

有水源条件下

· 冷却盘管 $P_{tc}^+ = 84 \text{ kW}$ (见B20)

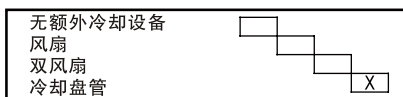
校验: $P_a \leq (P_{tn} \times a \times c + P_{tc}^+) \times b$

$54 \text{ kW} \leq (50 \times 0,75 \times 1 + 84) \times 1 = 121,5 \text{ kW}$:

校验通过!

可选择冷却盘管解决方案。

说明见 A17 页, 尺寸图见 B37



见A23

· 油-水冷却器: $P_{tw}^+ = 175, 310, 550, 750 \text{ kW}$

(W1→W4, 见A21)

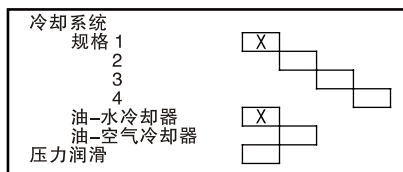
校验: $P_a \leq (P_{tn} \times a \times c + P_{tw}^+) \times b$

$54 \text{ kW} \leq (50 \times 0,75 \times 1 + 175) \times 1 = 212,5 \text{ kW}$:

W1 校验通过!

可选择油-水冷却器解决方案规格 1

说明和选配项见 A18 页, 尺寸图见 B38 页



见A23

- 无水条件下

油-空气冷却器: $P_{ta}^+ = 130, 245, 390, 660 \text{ kW}$ (A1 → A4, 见A21)

校验:

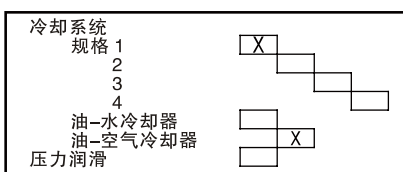
$P_a \leq (P_{tn} \times a \times c + P_{ta}^+ \times d) \times b$

$54 \text{ kW} \leq (50 \times 0,75 \times 1 + 130 \times 0,75) \times 1 = 135 \text{ kW}$:

A1 校验通过!

可选择油-空气冷却器解决方案规格 1

说明和选配项见 A18 页, 尺寸图见 B38 页



见A23

Hansen P4

97QX-0000032F A

减速机技术规范

参考号: 日期: 姓名: 签字:

	1	2	3	4	5	5 bis	6	7	8	9	
$P_{nom} =$						$SF =$					
$P_{mot} =$						$P_a =$					
速度 (恒速)						$n_{HSS} =$					
速比=						$min^{-1} / n_{LSS} =$					
低速轴旋转方向						LSS:					

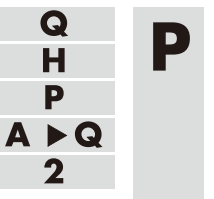
Red. <input type="checkbox"/>	Mult <input type="checkbox"/>	实心 LSS <input type="checkbox"/>	空心 LSS <input type="checkbox"/>
CW <input type="checkbox"/>	CCW <input type="checkbox"/>		

无额外冷却 <input type="checkbox"/> 风扇 <input type="checkbox"/> 双风扇 <input type="checkbox"/> 冷却盘管 (见A17) <input type="checkbox"/> 冷却系统 (见A18) 规格1 <input type="checkbox"/> 2 <input type="checkbox"/> 3 <input type="checkbox"/> 4 <input type="checkbox"/> 油-水 (淡水) <input type="checkbox"/> (海水) <input type="checkbox"/> 油-空气 <input type="checkbox"/> 压力润滑 <input type="checkbox"/>	参考数据 - * * p.B37/C37 p.B38/C38 p.B38/C38 p.B38/C38 p.B38/C38	是否要求逆止器 是 <input type="checkbox"/> 否 <input type="checkbox"/> 低速轴轴承 承受: 径向力 是 <input type="checkbox"/> 否 <input type="checkbox"/> 轴向力 是 <input type="checkbox"/> 否 <input type="checkbox"/>	参考数据 *
--	--	--	-----------

选择范围 1.电机安装 IEC电机: (如果不是IEC电机,请附上尺寸图) 电机法兰连接 <input type="checkbox"/> 可调式机座 (M1-M2-M3-M4) <input type="checkbox"/> 铲斗式机座 (M5-M6-M8) <input type="checkbox"/> 浮动式底座 (M7) <input type="checkbox"/> 固定式底座 (M10-M12) <input type="checkbox"/> 2.轴 英寸 <input type="checkbox"/> 空心低速轴:铜衬套 <input type="checkbox"/> 3.其它: 防潮呼吸器 <input type="checkbox"/> 防尘呼吸器 <input type="checkbox"/> 带软管接头的排放阀 <input type="checkbox"/> 低速轴上的迷宫密封 <input type="checkbox"/> 低速轴上的双油封 <input type="checkbox"/> 镀锌螺栓 <input type="checkbox"/> 力矩臂 <input type="checkbox"/> 空心轴拆装工具 <input type="checkbox"/> 外部固定装置 <input type="checkbox"/> 加热器 <input type="checkbox"/>	参考数据 p.A13 p.A13 p.A13 p.A13 p.A13 p.B37/C37 p.B37/C37	4.喷漆 <table border="1" style="width:100%; border-collapse: collapse;"> <thead> <tr> <th rowspan="2">喷漆耐久性 - Iso 12944-1</th> <th colspan="6">腐蚀类别 - Iso 12944-2</th> </tr> <tr> <th>C1</th> <th>C2</th> <th>C3</th> <th>C4</th> <th>C5-I</th> <th>C5-M</th> </tr> </thead> <tbody> <tr> <td>L (低)</td> <td><input type="checkbox"/></td> <td><input type="checkbox"/></td> <td><input type="checkbox"/></td> <td><input type="checkbox"/></td> <td><input type="checkbox"/></td> <td><input type="checkbox"/></td> </tr> <tr> <td>M (中)</td> <td><input type="checkbox"/></td> <td><input type="checkbox"/></td> <td><input type="checkbox"/></td> <td><input type="checkbox"/></td> <td><input type="checkbox"/></td> <td><input type="checkbox"/></td> </tr> <tr> <td>H (高)</td> <td><input type="checkbox"/></td> <td><input type="checkbox"/></td> <td><input type="checkbox"/></td> <td><input type="checkbox"/></td> <td><input type="checkbox"/></td> <td><input type="checkbox"/></td> </tr> </tbody> </table> 5.仪器仪表 油位: 油位开关 <input type="checkbox"/> 液面计 <input type="checkbox"/> 流量开关 (只用于V型) <input type="checkbox"/> 油池温度 固定报警 <input type="checkbox"/> 可调节报警 <input type="checkbox"/> 量仪Pt100 <input type="checkbox"/> 带传感器 <input type="checkbox"/> 冷却系统循环或压力润滑: 过滤器污染: -机械报警器 <input type="checkbox"/> -电子报警器 <input type="checkbox"/> 双过滤器 <input type="checkbox"/> 油-水冷却器: <input type="checkbox"/> 水流温度调节阀 <input type="checkbox"/> 油-空气冷却器: <input type="checkbox"/> 风扇温度调节器 <input type="checkbox"/>	喷漆耐久性 - Iso 12944-1	腐蚀类别 - Iso 12944-2						C1	C2	C3	C4	C5-I	C5-M	L (低)	<input type="checkbox"/>	<input type="checkbox"/>	<input type="checkbox"/>	<input type="checkbox"/>	<input type="checkbox"/>	<input type="checkbox"/>	M (中)	<input type="checkbox"/>	<input type="checkbox"/>	<input type="checkbox"/>	<input type="checkbox"/>	<input type="checkbox"/>	<input type="checkbox"/>	H (高)	<input type="checkbox"/>	<input type="checkbox"/>	<input type="checkbox"/>	<input type="checkbox"/>	<input type="checkbox"/>	<input type="checkbox"/>	参考数据 p.B37/C37 p.B37/C37 C37 p.A18 p.A18 p.A18
喷漆耐久性 - Iso 12944-1	腐蚀类别 - Iso 12944-2																																				
	C1	C2	C3	C4	C5-I	C5-M																															
L (低)	<input type="checkbox"/>	<input type="checkbox"/>	<input type="checkbox"/>	<input type="checkbox"/>	<input type="checkbox"/>	<input type="checkbox"/>																															
M (中)	<input type="checkbox"/>	<input type="checkbox"/>	<input type="checkbox"/>	<input type="checkbox"/>	<input type="checkbox"/>	<input type="checkbox"/>																															
H (高)	<input type="checkbox"/>	<input type="checkbox"/>	<input type="checkbox"/>	<input type="checkbox"/>	<input type="checkbox"/>	<input type="checkbox"/>																															

Hansen P4

Gear unit	减速机
Horizontal low speed shaft	水平低速轴
Parallel shafts	平行轴
Size	规格
Two stages	二级



Mechanical power ratings

机械功率

kw

i _N	r.p.m.		Size - 规格															
	n ₁	n ₂	A	B	C	D	E	F	G	H	J	K	L	M	N	P	Q	
6,3	1800	285	153	247	370	543	945	1395	1974									
	1500	240	130	214	326	478	792	1170	1709									
	1200	190	107	176	272	409	638	943	1377									
	1000	160	91	150	232	344	535	790	1154									
	900	145	83	137	211	310	482	713	1042									
	750	120	71	116	180	260	404	597	873									
7,1	1800	255	140	231	335	497	818	1221	1801		3066		4459 *					
	1500	210	120	201	295	437	685	1024	1511		2699		3925		8265 *			
	1200	170	100	163	238	358	552	825	1218		2183		3357		6893			
	1000	140	84	137	199	300	462	691	1021		1820		2955		5744			
	900	125	76	123	180	270	417	624	921		1638		2745		5170			
	750	105	63	103	150	226	349	522	772		1365		2307		4308			
8	1800	225	124	209	321	471	772	1139	1607	1974	2800		4122 *					
	1500	190	106	178	276	413	647	954	1347	1738	2333		3628			8470 *		
	1200	150	87	147	227	332	521	769	1085	1447	1867		3103			7054		
	1000	125	74	125	193	278	436	644	909	1212	1556		2720			5879		
	900	115	67	114	176	251	394	581	821	1095	1400		2448			5291		
	750	94	57	97	147	210	329	486	687	917	1167		2040			4409		
9	1800	200	115	196	286	430	668	996	1421		2659	3022	3870	4458 *				
	1500	165	99	164	240	360	560	835	1191		2254	2660	3407	3924	6650			
	1200	135	80	132	193	290	450	672	959		1803	2211	2914	3357	5320			
	1000	110	67	110	161	243	377	563	803		1503	1843	2529	2954	4433			
	900	100	60	100	146	219	340	508	725		1352	1658	2288	2744	3990			
	750	83	50	83	122	183	285	425	607		1127	1382	1907	2305	3325			
10	1800	180	103	171	266	393	606	888	1286	1687	2301		3574	4108 *				
	1500	150	88	146	227	329	507	744	1077	1415	1924		3146	3616		6838	8470 *	
	1200	120	72	120	185	265	408	599	867	1140	1539		2691	3093		5471	7003	
	1000	100	61	100	155	222	342	501	726	955	1283		2248	2640		4559	5846	
	900	90	56	92	140	200	308	452	655	862	1155		2023	2376		4103	5261	
	750	75	48	77	117	167	258	378	549	722	962		1686	1980		3419	4384	
11,2	1800	160	96	156	228	343	524	777	1137		2190	2621	3316	3870				
	1500	135	80	131	191	287	439	651	952		1825	2284	2919	3406	5461			
	1200	105	65	105	153	231	353	523	767		1460	1827	2439	2913	4368			
	1000	89	54	88	128	193	295	438	642		1217	1522	2060	2529	3640			
	900	80	49	79	116	174	267	395	579		1095	1370	1854	2286	3276			
	750	67	41	66	97	146	223	331	485		912	1142	1545	1905	2730			
12,5	1800	145	84	141	216	313	490	710	1070	1350	1837		3060	3563				
	1500	120	72	120	180	262	410	594	896	1132	1540		2678	3136		5615	6765	
	1200	96	59	97	145	210	330	478	721	911	1240		2158	2618		4492	5456	
	1000	80	50	81	121	176	276	400	604	763	1037		1808	2182		3744	4547	
	900	72	46	73	109	159	249	361	545	688	934		1632	1964		3369	4092	
	750	60	39	61	91	133	208	302	456	576	778		1366	1636		2808	3410	
14	1800	130	78	124	179	273	424	621	946		1718	2197	2787	3315				
	1500	105	65	104	150	228	355	520	792		1436	1842	2382	2918	4164			
	1200	86	52	84	120	183	285	418	637		1149	1480	1947	2439	3331			
	1000	71	44	70	100	153	239	350	533		958	1233	1622	2059	2776			
	900	64	39	63	91	138	215	316	481		862	1110	1460	1853	2499			
	750	54	33	53	76	116	180	264	403		718	925	1217	1544	2082			
16	1800	115	67	115	175	243	382	579	846	1124	1430		2487	3050				
	1500	94	57	97	146	204	319	484	708	941	1198		2084	2652			4282	5595
	1200	75	47	78	117	164	257	390	569	758	964		1678	2121			3426	4501
	1000	63	40	65	98	137	215	326	476	634	807		1405	1768			2855	3751
	900	56	37	58	88	123	194	294	430	572	728		1268	1591			2569	3376
	750	47	31	49	74	103	162	246	359	479	609		1061	1326			2141	2813
18	1800	100	60	99	145	212	330	506	747		1406	1710	2290	2787				
	1500	83	50	83	121	177	276	424	626		1177	1433	1950	2381	3423			
	1200	67	40	67	97	142	222	341	503		945	1153	1564	1945	2739			
	1000	56	34	56	81	119	186	285	421		787	966	1303	1621	2282			
	900	50	30	50	73	107	167	257	380		709	871	1173	1459	2054			
	750	42	25	42	61	90	140	215	317		591	727	977	1216	1712			
20	1800	90	56	94	137	200	307	465	664	888	1170		1983	2506				
	1500	75	48	79	114	168	257	389	556	744	980		1661	2088		3520	4306	
	1200	60	39	63	92	135	206	313	447	598	788		1336	1670		2816	3449	
	1000	50	33	53	77	113	173	262	374	500	659		1119	1392		2347	2874	
	900	45	30	47	69	101	156	236	337	451	595		1009	1253		2112	2587	
	750	38	26	40	58	85	130	197	282	377	497		844	1044		1760	2155	
22,4	1800	80	48	81	113	175	265	407	587		1145	1400	1882	2289				
	1500	67	41	67	95	146	222	340	491		958	1172	1569	1950				
	1200	54	33	54	76	117	178	273	395		771	943	1255	1563				
	1000	45	27	45	64	98	149	229	330		645	789	1046	1302				
	900	40	24	41	57	88	134	206	298		581	712	941	1172				
	750	33	20	34	48	74	112	172	249		485	595	784	977				

Ratio available only for gear units with solid low speed shaft

速比仅适用于实心轴输出的减速机

* Pressure lubrication is required. Refer to us
 i_N Nominal ratio
 n_{1,2} Nominal speed (rpm)

* 要求压力润滑 向汉森传动咨询
 i<

Hansen P4

Gear unit	减速机
Horizontal low speed shaft	水平低速轴
Parallel shafts	平行轴
Size	规格
Two stages	二级

减速机
水平低速轴
平行轴
规格
二级

Q	P
H	
P	
A ▶ Q	
2	

Mechanical power ratings

机械功率

kW

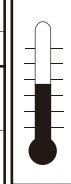
i _N	r.p.m.		Size - 规格														
	n ₁	n ₂	A	B	C	D	E	F	G	H	J	K	L	M	N	P	Q
25	1800	72								697	953		1597	2013			
	1500	60								584	797		1337	1677			3553
	1200	48								469	641		1075	1342			2843
	1000	40								392	536		900	1118			2369
	900	36								354	484		812	1006			2132
	750	30								296	404		679	839			1777

Thermal power ratings

热功率

P_t kW

i _N	r.p.m.	n ₁	n ₂	Size - 规格														
				A	B	C	D	E	F	G	H	J	K	L	M	N	P	Q
6,3	1800	-	1	52	64	76	98	92	115		570	550	680	590				
		2	130	170	240	320	460	610	930	980	1250	1200	1600					
	1500	-	1	52	65	81	105	120	155	150		620	790	760	960			
		2	130	165	240	310	460	600	940	1000	1300	1300	1700	1600				
	1200	-	1	51	65	82	110	130	180	210	240	210		1000	910			
		2	110	140	210	270	410	530	830	910	1200	1200	1600	1600	1800			
	1000	-	1	49	64	82	110	140	180	240	250	310	300					
		2	74	97	135	180	260	340	520	560	730	750	1000					
	900	-	1	48	63	81	110	140	185	240	260	330	330	420	360			
		2	90	120	170	230	340	440	700	770	1000	1050	1400	1500	1700	1700		
750	-	1	46	60	79	105	140	180	250	270	360	370	480	470	450			
	2	63	83	115	155	220	290	450	500	660	690	920	960	1100	1100			
				P _{tc}	75	90	105	225	260	390	440	450	730	780	1140	960		
10	1800	-	1	46	59	72	94	110	140	160	135							
		2	110	145	210	270	410	530	850	970	1200	1250	1600	1500				
	1500	-	1	45	58	73	96	120	160	190	200	220	190	200				
		2	105	140	200	260	400	520	830	970	1200	1300	1700	1700	1850	1900		
	1200	-	1	43	56	73	96	120	160	220	240	290	300	360	220			
		2	68	90	125	165	240	320	500	580	710	760	990	1000	1050			
	1000	-	1	41	54	70	94	120	160	220	260	320	340	430	380			
		2	61	81	115	150	220	290	450	530	660	710	930	990	1050	1100		
	900	-	1	40	53	69	93	120	160	220	260	320	350	450	440			
		2	57	76	105	140	210	270	430	500	630	680	890	970	1050	1100		
750	-	1	38	50	66	89	120	160	220	260	330	360	470	500	510	520		
	2	65	87	125	165	250	330	530	630	790	870	1150	1300	1400	1600	1700		
				P _{tc}	60	72	84	180	210	310	350	360	580	620	910	770		
16	1800	-	1	36	49	61	80	96	130	170	190	210	220	240	120			
		2	84	115	160	220	320	440	710	810	1000	1100	1400	1550				
	1500	-	1	35	48	60	81	100	135	180	210	250	270	330	290			
		2	80	110	155	210	310	420	690	780	990	1100	1400	1600	1750	1800	1900	
	1200	-	1	33	46	58	79	100	135	190	220	270	300	380	400			
		2	51	71	98	130	190	260	410	470	600	660	840	940	1050	1100	1100	
	1000	-	1	31	43	56	76	100	135	190	220	280	310	390	430			
		2	46	64	88	120	170	230	370	420	540	600	770	880	990	1050	1100	
	900	-	1	30	42	55	75	98	135	190	220	280	310	390	440			
		2	43	60	83	115	160	220	350	400	510	570	730	840	960	1000	1050	
750	-	1	29	40	52	71	94	130	180	210	270	300	390	450				
	2	39	54	74	100	150	200	320	360	460	520	660	770	900	960	1000		
				P _{tc}	60	72	84	180	210	310	350	360	580	620	910	770		



QHP... (kW)

Number of fans. Correction factors - see p. A9
 P_{tc} Additional thermal power with cooling coil - see p. A9
 To be applied only if basic thermal power ratings are listed.

风扇数量 修正系数参见A21页
 P_{tc} 带冷却盘管的附加热功率见A21页 仅选用列于表中基本热功率

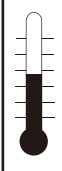
Hansen P4	Gear unit	减速机			<table border="1"> <tr><td>Q</td></tr> <tr><td>H</td></tr> <tr><td>P</td></tr> <tr><td>C ▶ T</td></tr> <tr><td>3</td></tr> </table>	Q	H	P	C ▶ T	3	P
	Q										
	H										
	P										
	C ▶ T										
3											
Horizontal low speed shaft	水平低速轴										
Parallel shafts	平行轴										
Size	规格										
Three stages	三级										

Mechanical power ratings 机械功率 **kW**

i _N	r.p.m.		Size - 规格															
	n ₁	n ₂	C	D	E	F	G	H	J	K	L	M	N	P	Q	R	S	T
100	1800	18	28	42	62	97	135		245	358	406			876	1104		1453	1626
	1500	15	23	35	52	81	113		204	298	339			730	920		1211	1355
	1200	12	18,5	28	42	65	90		164	238	272			584	736		969	1084
	1000	10	15,4	24	35	54	75		137	199	227			487	613		807	903
	900	9	13,9	21	31	49	68		123	179	205			438	552		727	813
750	7,5	11,6	17,7	26	41	57		103	149	171			365	460		605	678	
112	1800	16	23	37	54	84	119		239		372				982			1461
	1500	13,5	19,1	31	45	71	99		199		310				819			1218
	1200	10,5	15,3	25	36	57	80		159		248				655			974
	1000	8,9	12,8	20	30	47	67		133		207				546			812
	900	8	11,5	18,4	27	43	60		120		186				491			731
750	6,7	9,6	15,4	23	35	50		100		155				409			609	

Thermal power ratings 热功率 **P_t kW**

i _N	r.p.m.		f	Size - 规格																
	n ₁	n ₂		C	D	E	F	G	H	J	K	L	M	N	P	Q	R	S	T	
20	1800	-		57	72	96	120	170	190	220	210	310	280							
		1	105	130	180	260	370	400	490	510	800	840	950	960	930					
	1500	-		55	71	96	125	180	200	240	240	340	340							
		1	98	130	170	250	360	390	490	520	790	850	1000	1050	1050	1200	1200			
	1200	-		53	68	94	125	180	200	240	260	350	370							
		1	86	110	150	220	320	350	440	470	700	770	950	980	1000	1200	1200	1200		
	1000	-		50	66	90	120	180	200	240	260	350	380	450	470	470				
		1	77	100	140	200	290	320	400	440	640	700	890	920	960	1150	1200	1200		
	900	-		49	64	88	120	175	190	240	260	350	380	460	480	490	580			
		1	72	95	130	190	280	310	380	410	600	670	850	880	920	1100	1150	1200		
750	-		46	61	84	115	170	190	230	260	340	370	470	490	510	620	650	660		
	1	65	85	115	170	250	280	340	380	550	610	780	820	860	1050	1100	1100			
				82	110	150	220	320	350	440	490	720	800	1050	1100	1150	1400	1500	1500	
				P _{tc}	71	110	165	205	230	245	410	420	590	500						
31,5	1800	-		47	62	84	110	155	180	220	240	320	340							
		1	83	110	150	220	310	350	430	480	720	800	940	990	1050	1200	1250	1250		
	1500	-		45	60	81	110	155	180	220	240	320	350	410	430					
		1	79	105	140	210	290	340	420	470	700	780	930	990	1050	1200	1300	1300		
	1200	-		42	57	77	105	150	180	220	240	320	360	420	450	470	550	580	580	
		1	68	91	120	180	260	300	370	420	620	700	840	890	970	1100	1200	1250		
	1000	-		40	54	73	99	145	170	210	240	320	350	420	450	480	570	600	620	
		1	61	82	110	160	230	270	340	380	560	630	760	810	890	1050	1100	1150		
	900	-		39	52	71	96	140	165	210	240	310	350	420	450	490	570	610	630	
		1	57	77	105	150	220	260	320	360	530	600	720	770	850	980	1050	1100		
750	-		36	49	67	92	135	160	200	230	300	340	410	440	480	560	610	640		
	1	51	69	93	140	200	230	290	330	480	540	650	700	770	890	960	1000			
				64	86	115	175	250	300	360	420	620	710	860	920	1000	1200	1300	1350	
				P _{tc}	63	95	140	180	200	215	360	360	520	440						
35,5	1800	-		36	51	68	90	125	150	185	210	270	320	370	390	410	470	490	500	
		1	63	89	120	170	240	290	350	400	580	680	820	860	920	1050	1150	1150		
	1500	-		34	49	65	87	120	150	180	210	270	320	370	400	430	490	520	540	
		1	59	84	110	165	230	270	330	390	560	660	790	830	900	1050	1100	1150		
	1200	-		32	45	62	83	115	140	170	200	260	310	370	390	430	500	530	550	
		1	51	73	97	145	200	240	290	340	490	580	700	740	800	940	1000	1050		
	1000	-		30	43	58	79	110	135	170	190	250	310	360	380	420	490	530	540	
		1	45	65	87	130	180	210	260	310	440	530	630	670	730	850	910	940		
	900	-		29	42	56	77	110	130	160	190	250	300	360	380	410	480	520	540	
		1	42	61	81	120	170	200	250	290	410	490	600	630	690	800	860	890		
750	-		27	39	53	73	100	125	150	180	230	280	350	370	400	470	510	520		
	1	38	54	73	110	150	180	220	260	370	440	540	570	620	730	780	800			
				47	68	91	140	190	230	280	330	480	580	700	740	810	950	1000	1050	
				P _{tc}	63	95	140	180	200	215	360	360	520	440						



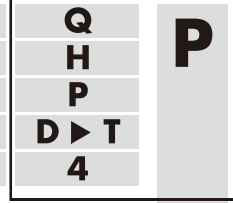
QHP... (kW)

Number of fans. Correction factors - see p. A9
 P_{tc} Additional thermal power with cooling coil - see p. A9
 To be applied only if basic thermal power ratings are listed.

风扇数量 修正系数参见A21页
 P_{tc} 带冷却盘管的附加热功率见A21页 仅选用列于表中基本热功率

Hansen P4

Gear unit	减速机
Horizontal low speed shaft	水平低速轴
Parallel shafts	平行轴
Size	规格
Four stages	四级



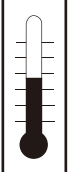
Mechanical power ratings 机械功率 **kW**

i _N	r.p.m.		Size - 规格																	
	n ₁	n ₂	D	E	F	G	H	J	K	L	M	N	P	Q	R	S	T			
400	1800	4,5				10,4	15,5	25	35	51	72	90	104	143	190	224	280	330	372	405
	1500	3,8				8,7	12,9	21	29	42	60	75	86	119	158	186	233	275	310	338
	1200	3				6,9	10,4	16,8	23	34	48	60	69	95	127	149	186	220	248	270
	1000	2,5				5,8	8,6	14	19,3	28	40	50	58	79	105	124	155	183	207	225
	900	2,25				5,2	7,8	12,6	17,3	25	36	45	52	71	95	112	140	165	186	203
	750	1,9				4,3	6,5	10,5	14,5	21	30	38	43	59	79	93	117	137	155	169
450	1800	4				9	13,4	21	30	44	59	78	91	130	173	199	246	298	330	364
	1500	3,3				7,5	11,2	17,8	25	37	49	65	76	108	144	166	205	249	275	303
	1200	2,65				6	8,9	14,3	20	29	39	52	61	86	115	133	164	199	220	243
	1000	2,2				5	7,5	11,9	17	24	33	43	51	72	96	111	136	166	183	202
	900	2				4,5	6,7	10,7	15,3	22	29	39	46	65	86	99	123	149	165	182
	750	1,65				3,8	5,6	8,9	12,8	18,4	25	33	38	54	72	83	102	124	137	152
500	1800	3,6					12,4	20	27	36	48	72	81	101		181	224		298	324
	1500	3					10,4	16,8	23	30	40	60	67	84		151	186		248	270
	1200	2,4					8,3	13,4	18	24	32	48	54	67		121	149		199	216
	1000	2					6,9	11,2	15	20	27	40	45	56		101	124		166	180
	900	1,8					6,2	10,1	13,5	18,2	24	36	40	50		91	112		149	162
	750	1,5					5,2	8,4	11,3	15,2	20	30	34	42		75	93		124	135
560	1800	3,2					10,7	17,6	24		41	59	73	91			199			291
	1500	2,8					8,9	14,6	19,9		34	49	61	76			166			243
	1200	2,1					7,2	11,7	15,9		27	39	49	61			133			194
	1000	1,8					6	9,8	13,3		23	33	41	51			111			162
	900	1,6					5,4	8,8	11,9		20	29	37	46			99			146
	750	1,3					4,5	7,3	10		17,1	25	31	38			83			121
630	1800	2,9								28			65	78						181
	1500	2,4								24			54	65						151
	1200	1,9								18,9			44	52						121
	1000	1,6								15,8			36	44						101
	900	1,4								14,2			33	39						91
	750	1,2								11,9			27	33						75

QHP...
(kW)

Thermal power ratings 热功率 **P_t kW**

i _N	r.p.m.	n ₁	f	Size - 规格																
				D	E	F	G	H	J	K	L	M	N	P	Q	R	S	T		
100 ↓ 160	1800	-				40	53	72	105	120	150	160	220	230	290	300	310	370	390	410
	1500	-				38	50	70	100	115	145	160	210	240	290	310	330	380	400	420
	1200	-				36	47	66	96	110	140	155	210	230	290	300	320	390	410	430
	1000	-				34	44	62	92	105	135	150	200	230	280	290	310	390	410	430
	900	-				33	43	60	88	100	130	145	200	220	270	290	300	380	400	420
	750	-				31	41	56	83	96	125	140	190	210	260	280	290	360	390	400
		P _{tc} ⁺				69	105	130	145	155	260	265	375	320						
180 ↓ 315	1800	-				34	42	59	84	99	125	140	190	210	260	280	310	350	380	390
	1500	-				32	40	56	80	94	120	140	180	200	250	270	300	350	370	390
	1200	-				30	37	52	75	88	110	130	170	200	240	260	290	330	360	380
	1000	-				29	35	49	71	83	105	120	160	190	230	250	280	320	350	370
	900	-				28	34	48	68	80	100	120	160	180	220	240	270	310	340	360
	750	-				27	32	45	64	76	97	110	150	170	210	230	260	300	320	340
		P _{tc} ⁺				58	88	110	125	130	220	225	320	270						
355 ↓ 630	1800	-				27	34	48	67	75	98	115	145	170	220	230	250	300	320	340
	1500	-				27	32	45	64	72	94	110	140	160	210	220	240	290	310	320
	1200	-				25	30	43	59	67	88	100	130	150	200	210	230	270	290	310
	1000	-				24	29	41	57	63	83	95	120	140	190	200	220	260	280	290
	900	-				24	28	39	55	62	81	92	120	135	180	190	210	250	270	280
	750	-				23	27	38	52	58	76	87	110	130	170	180	200	240	250	270
		P _{tc} ⁺				54	81	105	115	125	205	210	295	250						



Refer to us

P_{tc}⁺ Additional thermal power with cooling coil - see p. A9
To be applied only if basic thermal power ratings are listed.

风扇数量
修正系数参见A21页

P_{tc}⁺ 带冷却盘管的附加热功率见A21页
仅选用列于表中基本热功率

i_N Nominal ratio
n_{1,2} Nominal speed (rpm)

i_N 标称速比
n_{1,2} 标称转速 (rpm)

Hansen P4

Gear unit	减速机			Q	J kgm ²
Horizontal low speed shaft	水平低速轴			H	
Parallel shafts	平行轴			P	
Size	规格			A ▶ T	
Gear sets	级数			2 ▶ 4	

Moments of inertia J related to the HSS

与HSS相关的转动惯量

i _N	Size - 规格																	
	A	B	C	D	E	F	G	H	J	K	L	M	N	P	Q	R	S	T
6,3	0,0122	0,0256	0,0547	0,108	0,213	0,423	0,816											
7,1	0,0114	0,0243	0,0514	0,103	0,2	0,408	0,784		1,75		3,84		10,5					
8	0,009	0,0193	0,0415	0,0823	0,162	0,322	0,597	0,966	1,66		3,61			11,4				
9	0,0085	0,0185	0,0394	0,0787	0,154	0,312	0,577		1,31	2,03	2,84	4,62	7,51					
10	0,007	0,0146	0,0314	0,0623	0,12	0,236	0,45	0,689	1,25		2,69	4,22			13			
11,2	0,0066	0,0141	0,0301	0,0601	0,114	0,23	0,437		0,966	1,49	2,08	3,34	5,8					
12,5	0,0054	0,0114	0,0239	0,048	0,0926	0,181	0,36	0,508	0,932		1,98	3,08		6,13	8,95			
14	0,0052	0,0111	0,0231	0,0466	0,0892	0,178	0,351		0,701	1,08	1,49	2,39	4,11					
16	0,0042	0,009	0,0191	0,0368	0,0698	0,145	0,275	0,399	0,681		1,44	2,23		4,3	6,78			
18	0,004	0,0088	0,0186	0,0359	0,0677	0,142	0,27		0,552	0,769	1,13	1,68	3,25					
20	0,0034	0,0075	0,0152	0,0305	0,0555	0,115	0,213	0,3	0,538		1,1	1,58		3,38	4,67			
22,4	0,0033	0,0073	0,0149	0,0299	0,0542	0,114	0,21		0,437	0,597	0,883	1,25						
25								0,228	0,428		0,86	1,19			3,63			
20			0,0134	0,0281	0,0587	0,119	0,234						2,84			6,39		
22,4			0,0124	0,0263	0,0542	0,111	0,215		0,467	0,692			2,64	2,94		5,85	6,64	
25			0,0098	0,021	0,0438	0,0893	0,176	0,247	0,446	0,652	0,924	1,38	2,03	2,73		4,47	6,05	6,9
28			0,0091	0,0198	0,0409	0,0843	0,164	0,225	0,352	0,491	0,873	1,29	1,9	2,09	3,14	4,13	4,63	6,27
31,5			0,0075	0,0156	0,0326	0,0667	0,128	0,185	0,337	0,466	0,663	0,978	1,5	1,96	2,89	3,24	4,26	4,8
35,5			0,007	0,0149	0,0308	0,0636	0,12	0,17	0,254	0,367	0,631	0,917	1,42	1,54	2,22	3,02	3,34	4,39
40			0,0058	0,0121	0,0244	0,0508	0,0979	0,133	0,245	0,351	0,491	0,696	1,11	1,46	2,06	2,32	3,1	3,45
45			0,0055	0,0116	0,0233	0,0488	0,0931	0,124	0,193	0,263	0,472	0,659	1,05	1,13	1,63	2,18	2,38	3,19
50			0,0044	0,0095	0,0191	0,0384	0,0729	0,101	0,187	0,253	0,388	0,512	0,801	1,08	1,52	1,63	2,23	2,45
56			0,0042	0,0092	0,0184	0,0372	0,0701	0,0957	0,152	0,198	0,375	0,489	0,771	0,817	1,18	1,55	1,67	2,29
63			0,0042	0,0092	0,0184	0,0376	0,0576	0,075	0,149	0,192	0,293	0,403	0,632	0,784	1,12	1,21	1,58	1,71
71			0,0042	0,0091	0,0183	0,0374	0,0557	0,0716	0,12	0,156	0,285	0,386	0,613	0,643	0,847	1,16	1,24	1,61
80			0,0034	0,0075	0,0146	0,0311	0,0559	0,0589	0,117	0,152	0,283	0,302	0,504	0,621	0,809	0,927	1,18	1,26
90			0,0034	0,0075	0,0145	0,0357	0,0557	0,0567	0,118	0,122	0,219	0,292	0,491	0,511	0,663	0,894	0,943	1,2
100			0,0033	0,0073	0,014	0,0299	0,0534		0,117	0,12	0,218			0,496	0,638		0,907	0,959
112			0,0032	0,0072	0,014	0,0298	0,0533		0,113		0,21				0,524			0,92
100				0,0076	0,0091	0,0202	0,0426	0,0468	0,0867		0,184	0,242	0,37			0,758		
112				0,0075	0,0089	0,0199	0,0419	0,0433	0,0877	0,094	0,17	0,22	0,354	0,374		0,738	0,767	
125				0,006	0,0069	0,0152	0,0321	0,0432	0,0868	0,0879	0,169	0,188	0,353	0,357		0,654	0,746	0,777
140				0,0059	0,0068	0,015	0,0316	0,0423	0,0657	0,0887	0,167	0,173	0,347	0,355	0,382	0,645	0,66	0,753
160				0,0059	0,0053	0,0118	0,0244	0,0324	0,0652	0,0877	0,124	0,171	0,256	0,35	0,364	0,485	0,649	0,667
180				0,0059	0,0052	0,0116	0,0241	0,0319	0,0502	0,0664	0,122	0,169	0,253	0,257	0,36	0,477	0,489	0,654
200				0,0047	0,004	0,0093	0,0194	0,0246	0,0498	0,0657	0,0953	0,125	0,195	0,254	0,354	0,381	0,48	0,491
224				0,0047	0,0039	0,0092	0,0192	0,0242	0,038	0,0506	0,0944	0,124	0,193	0,196	0,261	0,376	0,384	0,402
250				0,0047	0,0031	0,0076	0,0154	0,0195	0,0378	0,0502	0,0713	0,0962	0,155	0,194	0,257	0,286	0,378	0,386
280				0,0047	0,0031	0,0075	0,0153	0,0193	0,0314	0,0383	0,0708	0,0952	0,154	0,156	0,198	0,282	0,287	0,38
315				0,0036	0,0031	0,0076	0,0148	0,0155	0,0312	0,038	0,0565	0,0719	0,123	0,154	0,196	0,216	0,284	0,288
355				0,0036	0,0031	0,0076	0,0147	0,0154	0,03	0,0315	0,0562	0,0713	0,122	0,123	0,157	0,214	0,217	0,285
400				0,003	0,003	0,0073	0,0148	0,0149	0,0299	0,0314	0,0562	0,0569	0,118	0,122	0,155	0,205	0,215	0,218
450				0,003	0,0029	0,0075	0,0147	0,0148	0,03	0,0301	0,0537	0,0565	0,117	0,118	0,124	0,204	0,206	0,216
500					0,0029	0,0072	0,0147	0,0148	0,0298	0,03	0,0536	0,0564		0,117	0,123		0,204	0,206
560					0,0029	0,0072	0,0147		0,0297	0,03	0,0533	0,0539			0,118			0,205
630								0,0147			0,0533	0,0538			0,118			

QHP...
iex J

Three stages 三级
i_N Nominal ratio i_N 标称速比

Hansen P4

97QU-HP2000153 A

mm

Gear unit	减速机
Horizontal low speed shaft	水平低速轴
Parallel shafts	平行轴
Size	规格
Two stages	二级

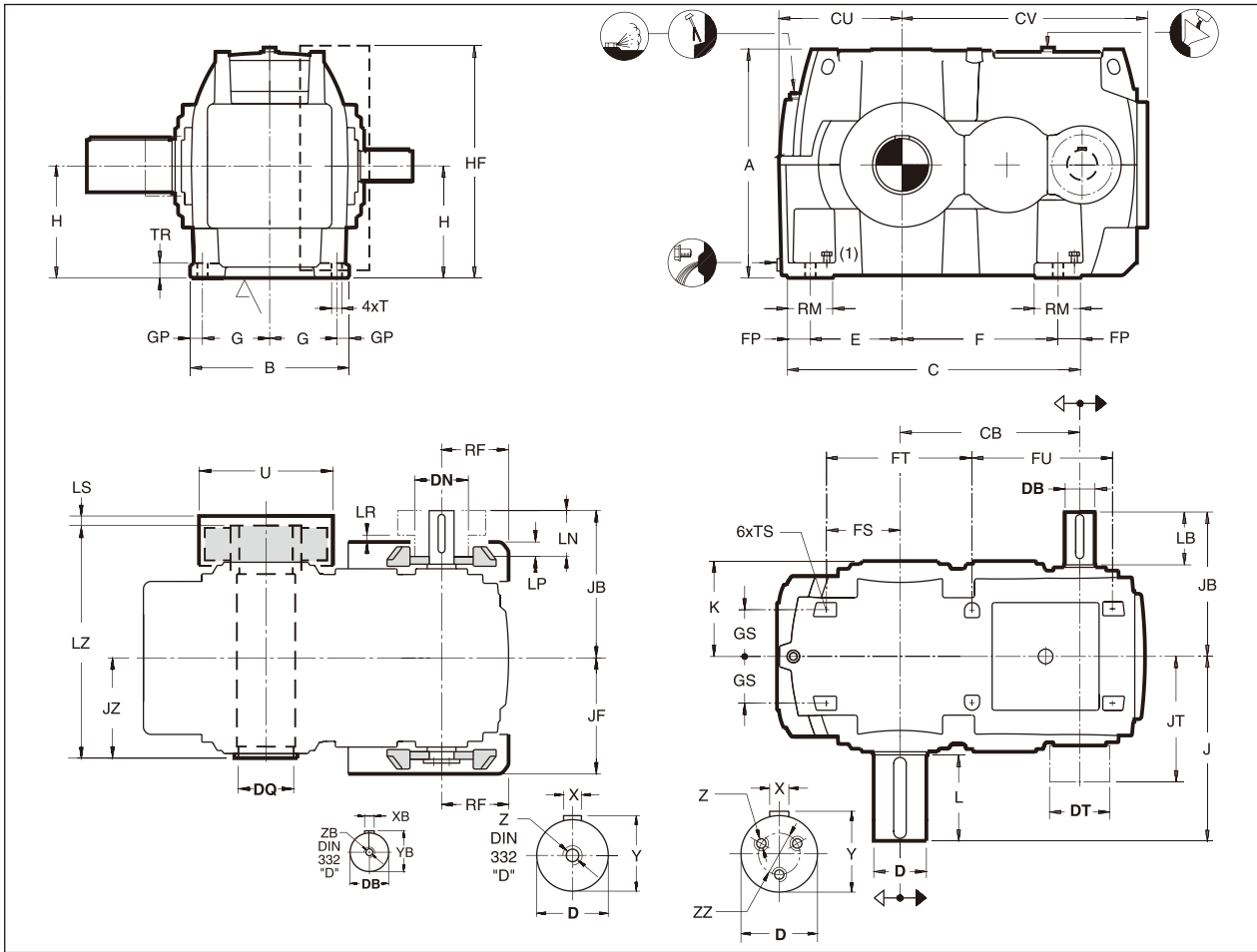
**Q
H
P
J > Q
2**

The user is responsible for the provision of safety guards and correct installation of all equipment.

Certified dimensions upon request.

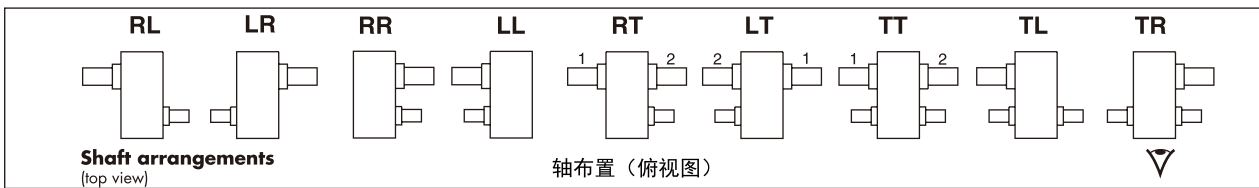
用户应正确安装所有设备并提供安全保护装置

可按要求提供详细尺寸



1 = standard shaft extension
2 = additional shaft extension

1=标准轴伸
2=附加轴伸



(1) 4x jacking screw
(1) 4x起升螺栓

Type 型号	A	B	C	CB	CU	CV	E	F	FP	FS	FT	FU	G	GP	GS	H	J	JB	JZ	K	RM	T	TR	TS	kg	Litres 公升
QHPJ2	910	640	1175	716	490	970	365	620	95	293	580	550	270	50	190	450	735	575	370	364	190	42	60	M24	2700	150
QHPK2	910	640	1303	794	540	1048	415	698	95	343	708	550	270	50	190	450	800	575	375	369	190	42	60	M24	3100	165
QHPL2	1130	770	1410	848	575	1135	430	750	115	350	700	640	330	55	225	560	860	645	440	455	230	48	70	M24	4600	285
QHPM2	1130	770	1583	946	650	1233	505	848	115	425	873	640	330	55	225	560	920	645	440	455	230	48	70	M24	5100	335
QHPN2	1410	850	1623	1048	650	1383	490	873	130	395	920	580	365	60	247,5	700	960	745	485	490	260	56	70	M30	6900	350
QHPP2	1410	850	1749	1114	710	1449	550	939	130	455	1046	580	365	60	247,5	700	1020	745	485	510	260	56	70	M30	7600	380
QHPQ2	1410	850	1960	1235	800	1570	640	1060	130	545	1257	580	365	60	247,5	700	1060	745	485	510	260	56	70	M30	8900	410

Type 型号	Shafts Keys 轴键										ISO/R773-1969										Fan 风扇						Backstop 逆止器	
	Solid 实心					Hollow 空心					DB-m6				DN max						DT		JT					
	D-m6	L	X	Y	Z	ZZ	DQ	LS	LZ	U max	LB	XB	YB	ZB	LN	LP	LR min	RF	JF	HF	DT	JT						
QHPJ2	210	350	50	221	M30	-	230	40	907	480	100	210	28	106	M24	280	185	104	40	285	494	932	260	545				
QHPK2	230	410	50	241	M30	-	260	40	927	540	100	210	28	106	M24	280	185	104	40	285	494	932	260	545				
QHPL2	250	410	56	262	M30	-	280	40	1072	595	120	210	32	127	M24	280	185	104	40	315	564	1156	295	613				
QHPM2	270	470	63	282	3 x M24	140	300	40	1079	615	120	210	32	127	M24	280	185	104	40	315	564	1156	295	613				
QHPN2	300	470	70	314	3 x M24	140	330	50	1171	675	150	250	36	158	M30	280	225	104	40	340	624	1440	332	677				
QHPP2	320	510	70	334	3 x M24	140	350	50	1191	715	150	250	36	158	M30	280	225	104	40	340	624	1440	332	677				
QHPQ2	340	550	80	355	3 x M24	250	370	50	1199	765	150	250	36	158	M30	280	225	104	40	340	624	1440	332	677				

Hansen P4

97QU-HP3000033 A

mm

Gear unit	减速机
Horizontal low speed shaft	水平低速轴
Parallel shafts	平行轴
Size	规格
Three stages	三级

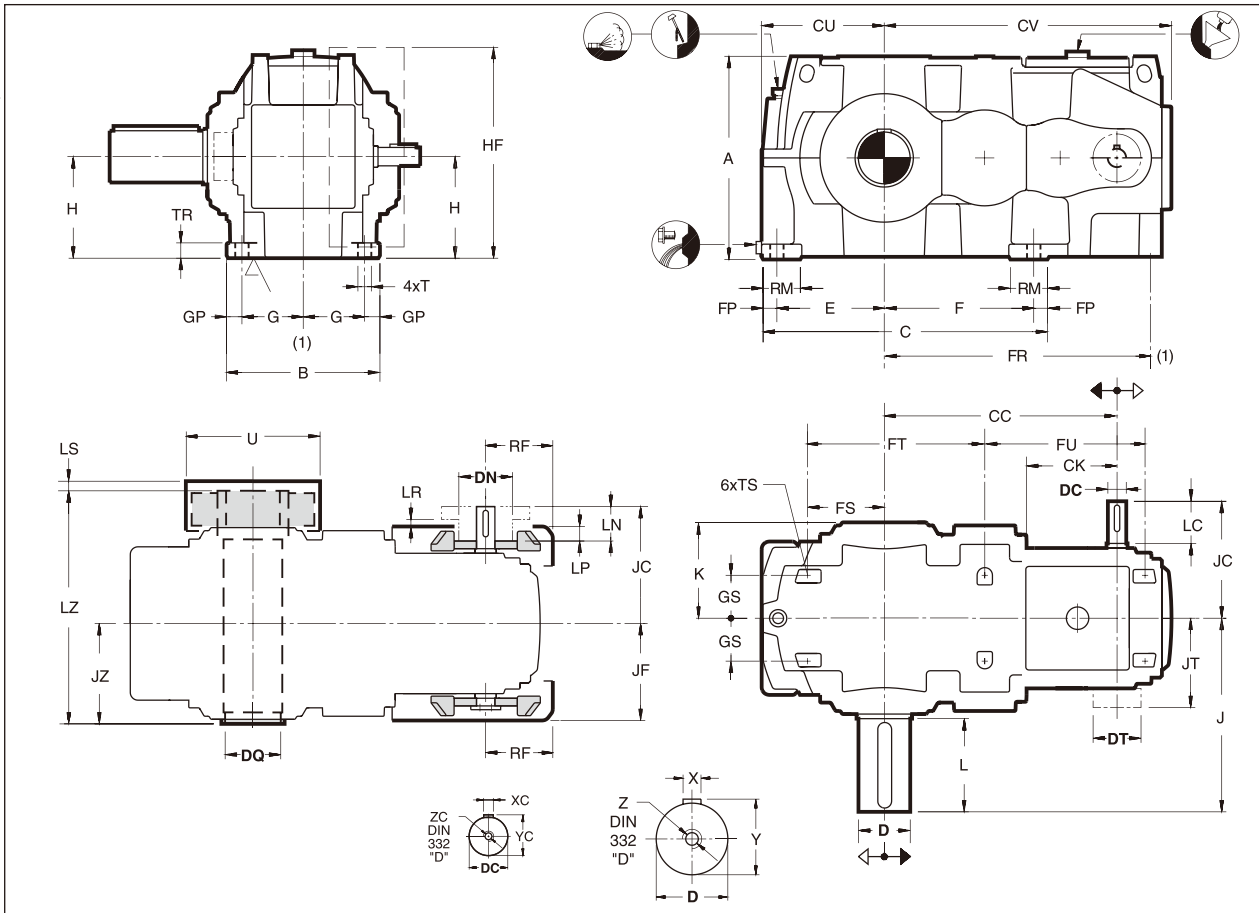
Q
H
P
C ▽ H
3

The user is responsible for the provision of safety guards and correct installation of all equipment.

Certified dimensions upon request.

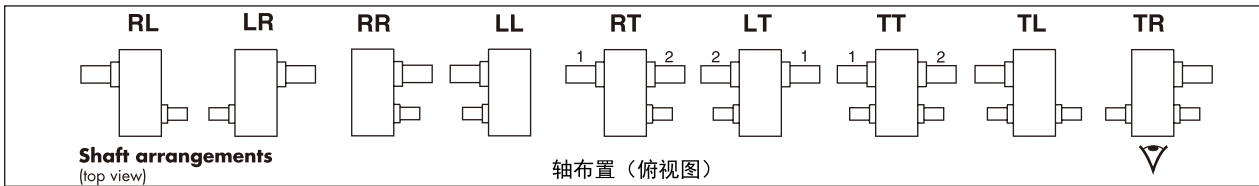
用户应正确安装所有设备并提供安全保护装置

可按要求提供详细尺寸



1 = standard shaft extension
2 = additional shaft extension

1=标准轴伸
2=附加轴伸



(1) Fixation point for the torque arm (see p. B38)

(1) 用于力矩臂的固定点 (见 B38页)

Type 型号	A	B	C	CC	CK	CU	CV	E	F	FP	FR	FS	FT	FU	G	GP	GS	H	J	JC	JZ	K	RM	T	TR	TS	kg	Litres 公升
QHPC3	400	310	585	454	172	245	565	210	305	35	520	150	325	325	120	35	85	200	405	272	195	187	95	28	32	M16	350	16
QHDP3	450	350	660	523	199	280	660	245	345	35	610	180	385	390	140	35	100	225	435	288	220	210	95	28	35	M16	500	25
QHPE3	530	400	750	607	234	320	749	280	390	40	695	200	462	418	160	40	112	265	505	305	245	237	105	35	40	M16	770	39
QHPP3	610	460	855	696	265	360	852	315	450	45	795	220	500	495	185	45	130	305	540	360	275	273	115	35	45	M20	1100	62
QHPP3	760	550	965	800	303	400	983	350	515	50	918	240	565	565	225	50	160	375	635	385	315	313	130	42	60	M20	1550	100
QHPP3	760	550	1087	872	303	450	1055	400	587	50	990	290	687	565	225	50	160	375	685	385	320	313	130	42	60	M20	2250	107

Type 型号	Shafts Keys 轴键										ISO/R773-1969										Fan 风扇					Backstop 逆止器	
	Solid 实心					Hollow 空心					DC	LC	XC	YC	ZC	DN max	LN	LP	LR min	RF	JF	HF	DT	JT			
	D-m6	L	X	Y	Z	DQ	LS	LZ	U max																		
QHPC3	105	210	28	111	M24	115	30	474	250	38k6	110	10	41	M12	160	85	45	20	160	232	415	132	233				
QHDP3	115	210	32	122	M24	130	30	531	310	42k6	110	12	45	M16	160	85	45	20	160	248	467	132	251				
QHPE3	135	250	36	143	M30	150	30	603	340	48k6	110	14	51,5	M16	160	85	45	20	160	265	547	152	271				
QHPP3	155	250	40	164	M30	170	30	688	390	58m6	140	16	62	M20	210	115	70	30	205	315	630	175	326				
QHPP3	180	300	45	190	M30	190	30	772	425	65m6	140	18	69	M20	210	115	70	30	205	340	780	188	360				
QHPP3	190	350	45	200	M30	210	40	794	450	65m6	140	18	69	M20	210	115	70	30	205	340	780	188	360				

Hansen P4

97QU-HP3000133 A

mm

Gear unit	减速机
Horizontal low speed shaft	水平低速轴
Parallel shafts	平行轴
Size	规格
Three stages	三级

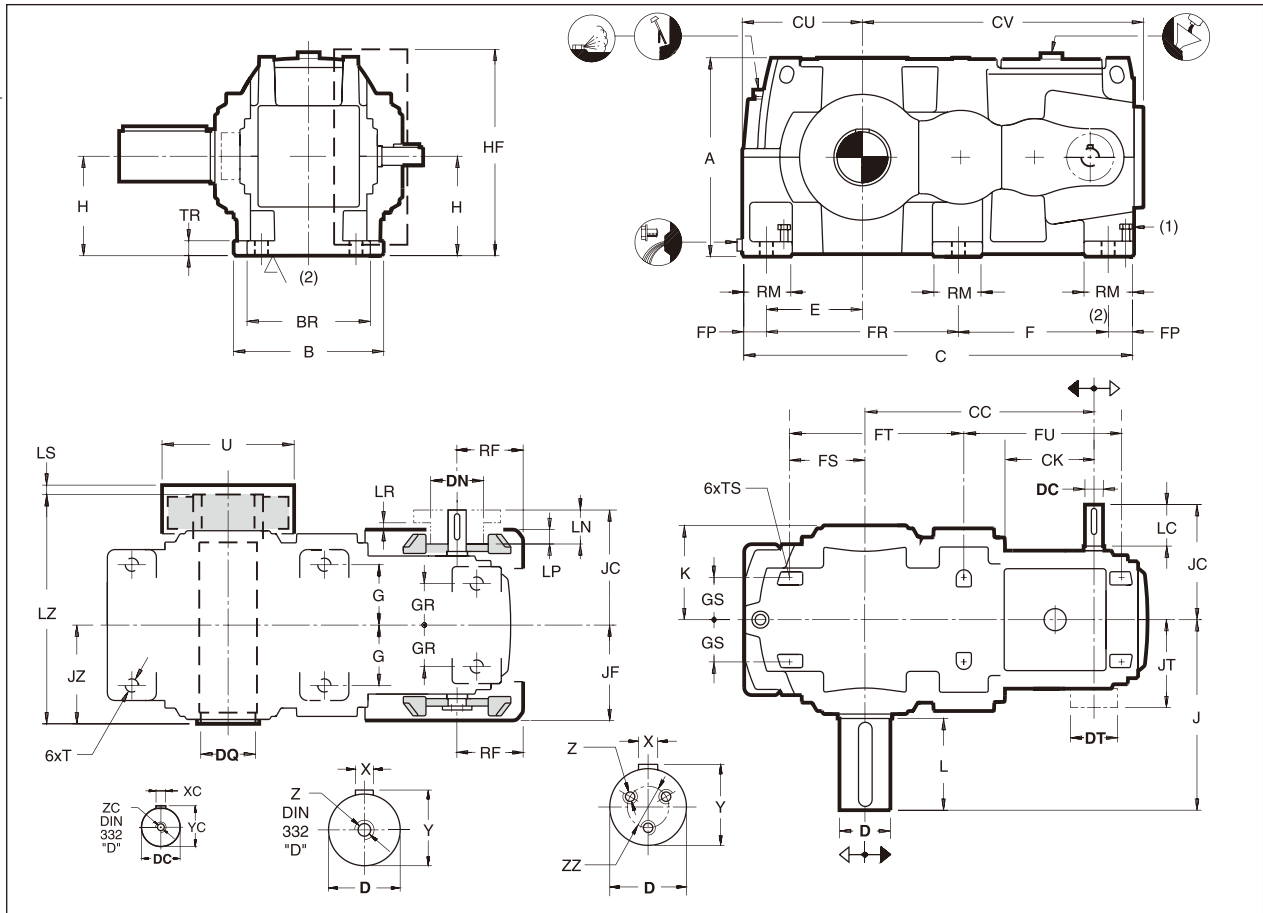
Q
H
P
J ▶ T
3

The user is responsible for the provision of safety guards and correct installation of all equipment.

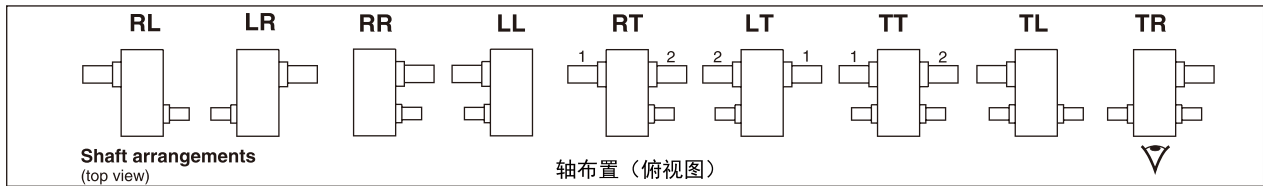
Certified dimensions upon request.

用户应正确安装所有设备并提供安全保护装置

可按要求提供详细尺寸



1 = standard shaft extension
2 = additional shaft extension
1=标准轴伸
2=附加轴伸



(1) 4 x jacking screw
(2) Fixation point for the torque arm of sizes J-K-L (see p. B38)
Fixation point for the torque arm of sizes N-P-Q-R-S-T: Refer to us
(1) 4x起升螺栓
(2) 用于J-K-L -M力矩臂的安装点 (见B38页)
用于N-P-Q-R-S-T力矩臂的安装点: 向汉森传动咨询

Type 型号	A	B	BR	C	CC	CK	CU	CV	E	F	FP	FR	FS	FT	FU	G	GR	GS	H	J	JC	JZ	K	RM	T	TR	TS	kg	Litres 公升
QHPJ3	910	640	500	1565	942	347	490	1137	365	593	95	782	293	710	600	270	200	190	450	735	415	370	364	190	42	60	M24	2700	160
QHPK3	910	640	500	1693	1020	347	540	1215	415	593	95	910	343	838	600	270	200	190	450	800	415	375	369	190	42	60	M24	3100	195
QHPL3	1130	770	580	1840	1110	396	575	1340	430	673	115	937	350	860	690	330	235	225	560	860	485	440	455	230	48	70	M24	4200	295
QHPM3	1130	770	580	2013	1208	396	650	1438	505	673	115	1110	425	1033	690	330	235	225	560	920	485	440	455	230	48	70	M24	5000	330
QHPN3	1410	850	680	2127	1303	456	650	1558	490	790	130	1077	395	1070	710	365	280	247,5	700	960	575	485	490	260	56	70	M30	7200	530
QHPP3	1410	850	680	2253	1369	456	710	1624	550	790	130	1203	455	1196	710	365	280	247,5	700	1020	575	485	510	260	56	70	M30	7900	565
QHPQ3	1410	850	680	2464	1490	456	800	1745	640	790	130	1414	545	1407	710	365	280	247,5	700	1060	575	485	510	260	56	70	M30	9200	600
QHPR3	1550	990	810	2525	1553	528	770	1840	590	930	150	1295	490	1320	820	425	335	315	770	1160	645	555	565	300	66	80	M30	11300	800
QHPS3	1550	990	810	2671	1629	528	840	1916	660	930	150	1441	560	1466	820	425	335	315	770	1230	645	555	585	300	66	80	M30	12500	860
QHPT3	1550	990	810	2776	1704	528	870	1991	690	930	150	1546	590	1571	820	425	335	315	770	1230	645	555	585	300	66	80	M30	13700	920

Type 型号	Shafts Keys 轴键														ISO/R773-1969							Fan 风扇					Backstop 逆止器	
	Solid 实心							Hollow 空心							DC-m6	LC	XC	YC	ZC	DN max	LN	LP	LR min	RF	JF	HF	DT	JT
	D-m6	L	X	Y	Z	ZZ	DQ	LS	LZ	U max	DN	LN	LP	LR min														
QHPJ3	210	350	50	221	M30	-	230	40	907	480	75	140	20	79,5	M20	210	115	72	30	225	372	932	214	391				
QHPK3	230	410	50	241	M30	-	260	40	927	540	75	140	20	79,5	M20	210	115	72	30	225	372	932	214	391				
QHPL3	250	410	56	262	M30	-	280	40	1072	595	85	170	22	90	M20	280	145	104	40	270	444	1156	245	435				
QHPM3	270	470	63	282	3 x M24	140	300	40	1079	615	85	170	22	90	M20	280	145	104	40	270	444	1156	245	435				
QHPN3	300	470	70	314	3 x M24	140	330	50	1171	675	100	210	28	106	M24	280	185	104	40	290	494	1440	260	545				
QHPP3	320	510	70	334	3 x M24	140	350	50	1191	715	100	210	28	106	M24	280	185	104	40	290	494	1440	260	545				
QHPQ3	340	550	80	355	3 x M24	250	370	50	1199	765	100	210	28	106	M24	280	185	104	40	290	494	1440	260	545				
QHPR3	360	600	80	375	3 x M24	250	400	50	1358	830	120	210	32	127	M24	280	185	104	40	320	564	1580	295	613				
QHPS3	380	650	80	395	3 x M24	250	420	50	1360	880	120	210	32	127	M24	280	185	104	40	320	564	1580	295	613				
QHPT3	400	650	90	417	3 x M24	250	440	50	1385	940	120	210	32	127	M24	280	185	104	40	320	564	1580	295	613				

Hansen P4

97QU-HP400023 A

mm

Gear unit	减速机
Horizontal low speed shaft	水平低速轴
Parallel shafts	平行轴
Size	规格
Four stages	四级

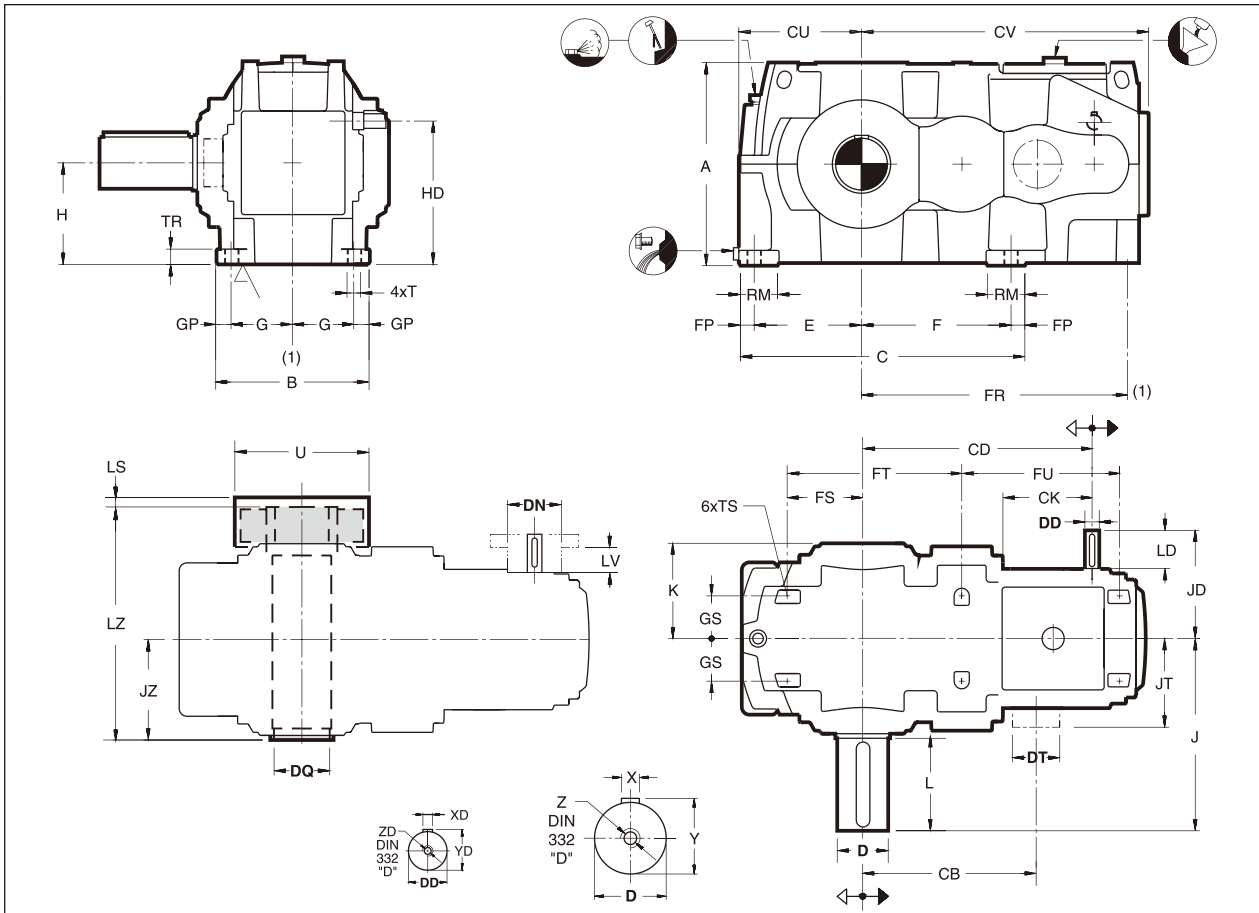
Q
H
P
D ▶ H
4

The user is responsible for the provision of safety guards and correct installation of all equipment.

Certified dimensions upon request.

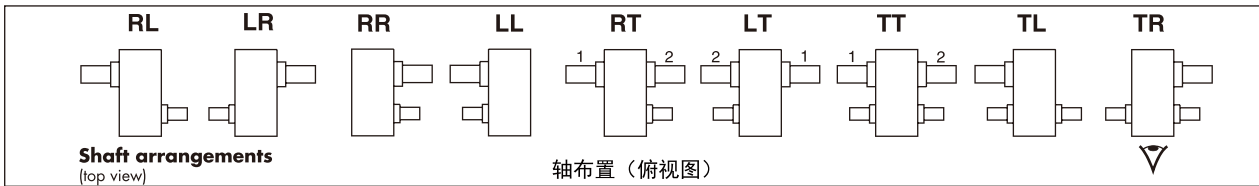
用户应正确安装所有设备并提供安全保护装置

可按要求提供详细尺寸



1 = standard shaft extension
2 = additional shaft extension

1=标准轴伸
2=附加轴伸



(1) Fixation point for the torque arm (see p. B38)

(1) 用于力矩臂的固定点 (见 B38页)

Type 型号	A	B	C	CD	CK	CU	CV	E	F	FP	FR	FS	FT	FU	G	GP	GS	H	HD	J	JD	JZ	K	RM	T	TR	TS	kg	Litres 公升
QHPE4	450	350	660	523	199	280	660	245	345	35	610	180	385	390	140	35	100	225	334	435	272	220	210	95	28	35	M16	510	25
QHPE4	530	400	750	607	234	320	749	280	390	40	695	200	462	418	160	40	112	265	374	505	272	245	237	105	35	40	M16	770	45
QHPE4	610	460	855	696	265	360	852	315	450	45	795	220	500	495	185	45	130	305	431	540	288	275	273	115	35	45	M20	1100	65
QHPE4	760	550	965	800	303	400	983	350	515	50	918	240	565	565	225	50	160	375	523	635	305	315	313	130	42	60	M20	1550	106
QHPE4	760	550	1087	872	303	450	1055	400	587	50	990	290	687	565	225	50	160	375	523	685	305	320	313	130	42	60	M20	2250	115

Type 型号	Shafts Keys 轴键										ISO/R773-1969						Backstop 逆止器			
	Solid 实心					Hollow 空心					DD-k6	DN max	LD	LV min	XD	YD	ZD	CB	DT	JT
	D-m6	L	X	Y	Z	DQ	LS	LZ	U max											
QHPE4	115	210	32	122	M24	130	30	531	310	38	-	82	-	10	41	M12	397	152	252	
QHPE4	135	250	36	143	M30	150	30	603	340	38	-	82	-	10	41	M12	459	175	304	
QHPE4	155	250	40	164	M30	170	30	688	390	42	120	82	9	12	45	M16	525	188	333	
QHPE4	180	300	45	190	M30	190	30	772	425	48	155	82	10	14	51,5	M16	603	214	361	
QHPE4	190	350	45	200	M30	210	40	794	450	48	155	82	10	14	51,5	M16	675	214	361	

Hansen P4

97QU-HP4000133 A

mm

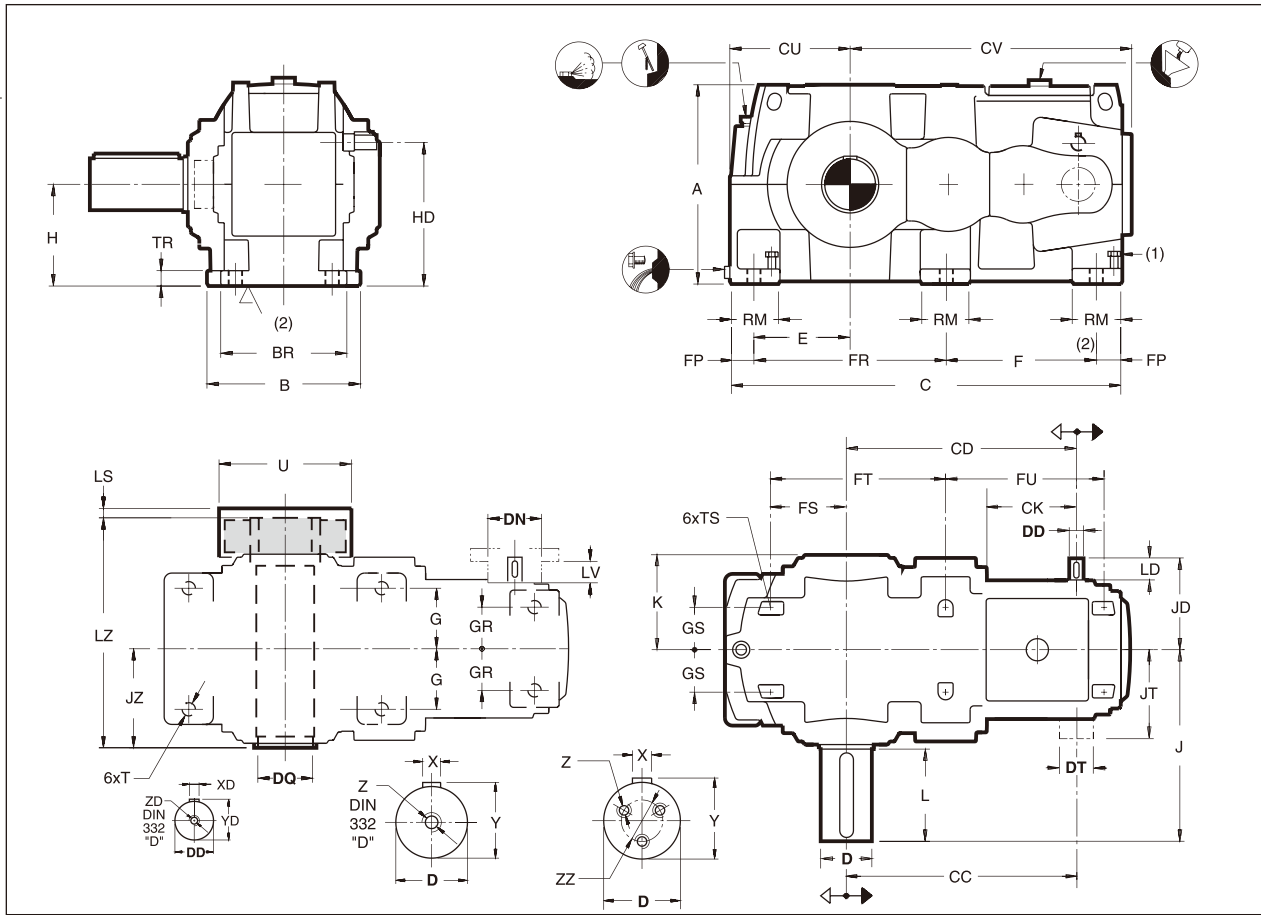
Gear unit	减速机				Q
Horizontal low speed shaft	水平低速轴				H
Parallel shafts	平行轴				P
Size	规格				J ▶ T
Four stages	四级				4

The user is responsible for the provision of safety guards and correct installation of all equipment.

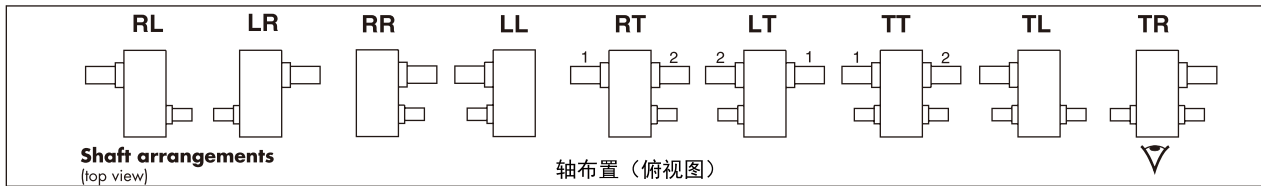
Certified dimensions upon request.

用户应正确安装所有设备并提供安全保护装置

可按要求提供详细尺寸



1 = standard shaft extension
2 = additional shaft extension
1=标准轴伸
2=附加轴伸



(1) 4 x jacking screw
(2) Fixation point for the torque arm of sizes J-K-L-M (see p. B38)
Fixation point for the torque arm of sizes N-P-Q-R-S-T; Refer to us
(1) 4x起升螺栓
(2) 用于J-K-L-M力矩臂的安装点(见B38页)
用于N-P-Q-R-S-T力矩臂的安装点: 向汉森传动咨询

Type 型号	A	B	BR	C	CD	CK	CU	CV	E	F	FP	FR	FS	FT	FU	G	GR	GS	H	HD	J	JD	JZ	K	RM	T	TR	TS	kg	Litres 公升
QHPJ4	910	640	500	1565	942	347	490	1137	365	593	95	782	293	710	600	270	200	190	450	621	735	360	370	364	190	42	60	M24	2700	170
QHPK4	910	640	500	1693	1020	347	540	1215	415	593	95	910	343	838	600	270	200	190	450	621	800	360	375	369	190	42	60	M24	3100	175
QHPL4	1130	770	580	1840	1110	396	575	1340	430	673	115	937	350	860	690	330	235	225	560	757	860	415	440	455	230	48	70	M24	4300	320
QHPM4	1130	770	580	2013	1208	396	650	1438	505	673	115	1110	425	1033	690	330	235	225	560	757	920	415	440	455	230	48	70	M24	5100	360
QHPN4	1410	850	680	2127	1303	456	650	1558	490	790	130	1077	395	1070	710	365	280	247,5	700	926	960	475	485	490	260	56	70	M30	7300	550
QHPP4	1410	850	680	2253	1369	456	710	1624	550	790	130	1203	455	1196	710	365	280	247,5	700	926	1020	475	485	510	260	56	70	M30	8000	590
QHPQ4	1410	850	680	2464	1490	456	800	1745	640	790	130	1414	545	1407	710	365	280	247,5	700	926	1060	475	485	510	260	56	70	M30	9300	630
QHPR4	1550	990	810	2525	1553	528	770	1840	590	930	150	1295	490	1320	820	425	335	315	770	1032	1160	565	555	565	300	66	80	M30	11500	825
QHPS4	1550	990	810	2671	1629	528	840	1916	660	930	150	1441	560	1466	820	425	335	315	770	1032	1230	565	555	585	300	66	80	M30	12700	890
QHPT4	1550	990	810	2776	1704	528	870	1991	690	930	150	1546	590	1571	820	425	335	315	770	1032	1230	565	555	585	300	66	80	M30	13900	950

Type 型号	Shafts Keys 轴键																Backstop 逆止器									
	Solid 实心								Hollow 空心								DD-m6	DN max	LD	LV min	XD	YD	ZD	CC	DT	JT
	D-m6	L	X	Y	Z	ZZ	DQ	LS	LZ	U max	DQ	LS	LZ	U max												
QHPJ4	210	350	50	221	M30	-	230	40	907	480	58	175	105	12	16	62	M20	942	188	390						
QHPK4	230	410	50	241	M30	-	260	40	927	540	58	175	105	12	16	62	M20	1020	188	390						
QHPL4	250	410	56	262	M30	-	280	40	1072	595	65	-	105	-	18	69	M20	1110	214	434						
QHPM4	270	470	63	282	3 x M24	140	300	40	1079	615	65	-	105	-	18	69	M20	1208	214	434						
QHPN4	300	470	70	314	3 x M24	140	330	50	1171	675	75	-	105	-	20	79,5	M20	1303	245	490						
QHPP4	320	510	70	334	3 x M24	140	350	50	1191	715	75	-	105	-	20	79,5	M20	1369	245	490						
QHPQ4	340	550	80	355	3 x M24	250	370	50	1199	765	75	-	105	-	20	79,5	M20	1490	245	490						
QHPR4	360	600	80	375	3 x M24	250	400	50	1358	830	85	-	130	-	22	90	M20	1553	260	610						
QHPS4	380	650	80	395	3 x M24	250	420	50	1360	880	85	-	130	-	22	90	M20	1629	260	610						
QHPT4	400	650	90	417	3 x M24	250	440	50	1385	940	85	-	130	-	22	90	M20	1704	260	610						

Hansen P4

97QU-HP30K0013 B

Motor-reducer	电机-减速机
Horizontal low speed shaft	水平低速轴
Parallel shafts	平行轴
Size	规格
Three stages	三级
Option lantern housing	选用电机法兰式连接

Q
H
P
C ▽ H
3

The user is responsible for the provision of safety guards and correct installation of all equipment.

Certified dimensions upon request.

用户应正确安装所有设备并提供安全保护装置

可按要求提供详细尺寸

1 = standard shaft extension
2 = additional shaft extension
3 = additional shaft extension (e=DC)

1=标准轴伸
2=附加轴伸
3=附加轴伸 (φ=DC)

(1) Fixation point for the torque arm (see p. B38)
(2) Max. dimensions depending on motor execution and motor power
(3) To be specified separately
(4) Without motor
(5) Refer to us for combination of backstop with additional shaft extension or fan

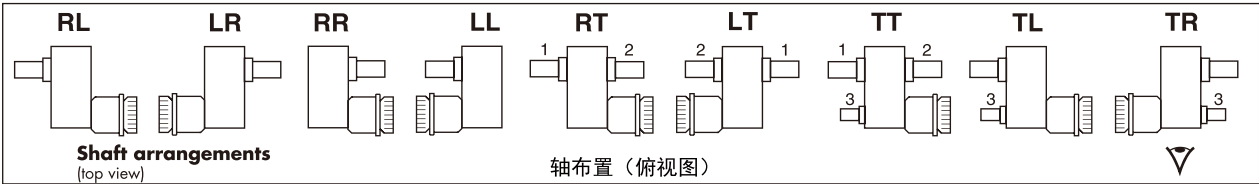
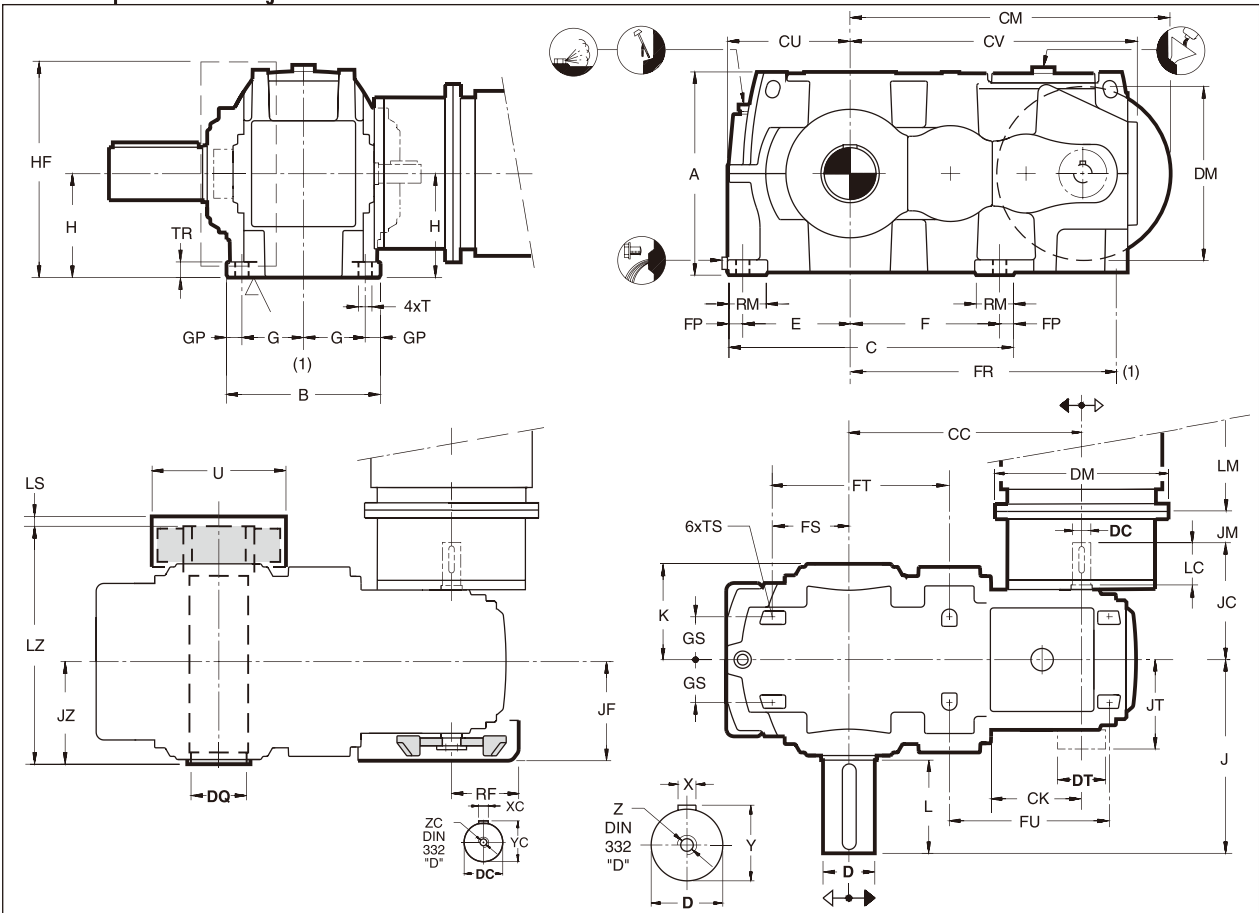
(1) 用于力矩臂的固定点 (见 B38页)

(2) 最大的尺寸根据电机功率及型号而定

(3) 另行确定

(4) 不带电机

(5) 关于轴伸、逆止器或风扇的配置问题, 详情请咨询汉森传动



Type 型号	A	B	C	CC	CK	CU	CV	E	F	FP	FR	FS	FT	FU	G	GP	GS	H	J	JC	JZ	K	RM	T	TR	TS	kg (4)	Litres 公升
QHPC3	400	310	585	454	172	245	565	210	305	35	520	150	325	325	120	35	85	200	405	272	195	187	95	28	32	M16	390	16
QHDP3	450	350	660	523	199	280	660	245	345	35	610	180	385	390	140	35	100	225	435	288	220	210	95	28	35	M16	540	25
QHPE3	530	400	750	607	234	320	749	280	390	40	695	200	462	418	160	40	112	265	505	305	245	237	105	35	40	M16	820	39
QHPP3	610	460	855	696	265	360	852	315	450	45	795	220	500	495	185	45	130	305	540	360	275	273	115	35	45	M20	1170	62
QHPP3	760	550	965	800	303	400	983	350	515	50	918	240	565	565	225	50	160	375	635	385	315	313	130	42	60	M20	1650	100
QHPP3	760	550	1087	872	303	450	1055	400	587	50	990	290	687	565	225	50	160	375	685	385	320	313	130	42	60	M20	2380	107

Type 型号	Shafts Keys 轴键													Fan 风扇			(5) Backstop 逆止器		
	Solid 实心						Hollow 空心							RF	JF	HF	DT	JT	
	D-m6	L	X	Y	Z	DQ	LS	LZ	U max	DC	LC	XC	YC						ZC
QHPC3	105	210	28	111	M24	115	30	474	250	38k6	110	10	41	M12	160	232	415	132	233
QHDP3	115	210	32	122	M24	130	30	531	310	42k6	110	12	45	M16	160	248	467	132	251
QHPE3	135	250	36	143	M30	150	30	603	340	48k6	110	14	51,5	M16	160	265	547	152	271
QHPP3	155	250	40	164	M30	170	30	688	390	58m6	140	16	62	M20	205	315	630	175	326
QHPP3	180	300	45	190	M30	190	30	772	425	65m6	140	18	69	M20	205	340	780	188	360
QHPP3	190	350	45	200	M30	210	40	794	450	65m6	140	18	69	M20	205	340	780	188	360

MOTOR 电机			Hansen P4												Coupling 联轴器 (3)	
IEC V1	DM	LM (2)	QHPC3		QHDP3		QHPE3		QHPP3		QHPP3		QHPP3		CM	JM
			CM	JM	CM	JM	CM	JM	CM	JM	CM	JM	CM	JM		
132	300		604	84												
160	350		629	115												
180	350		629	115	698	115										
200	400		654	115	698	115	782	115								
225	450		679	145	723	115	807	115								
250	550		729	145	748	145	832	145		921	145					
280	550				798	145	882	145		971	145	1075	145			
315	660				798	145	882	145		971	145	1075	145	1147	145	
							937	175		1026	175	1130	175	1202	175	

Hansen P4

97QU-HP40K0013 B

mm

Motor-reducer	电机-减速机
Horizontal low speed shaft	水平低速轴
Parallel shafts	平行轴
Size	规格
Four stages	四级
Option lantern housing	选用电机法兰式连接

Q
H
P
D ▶ H
4

The user is responsible for the provision of safety guards and correct installation of all equipment.

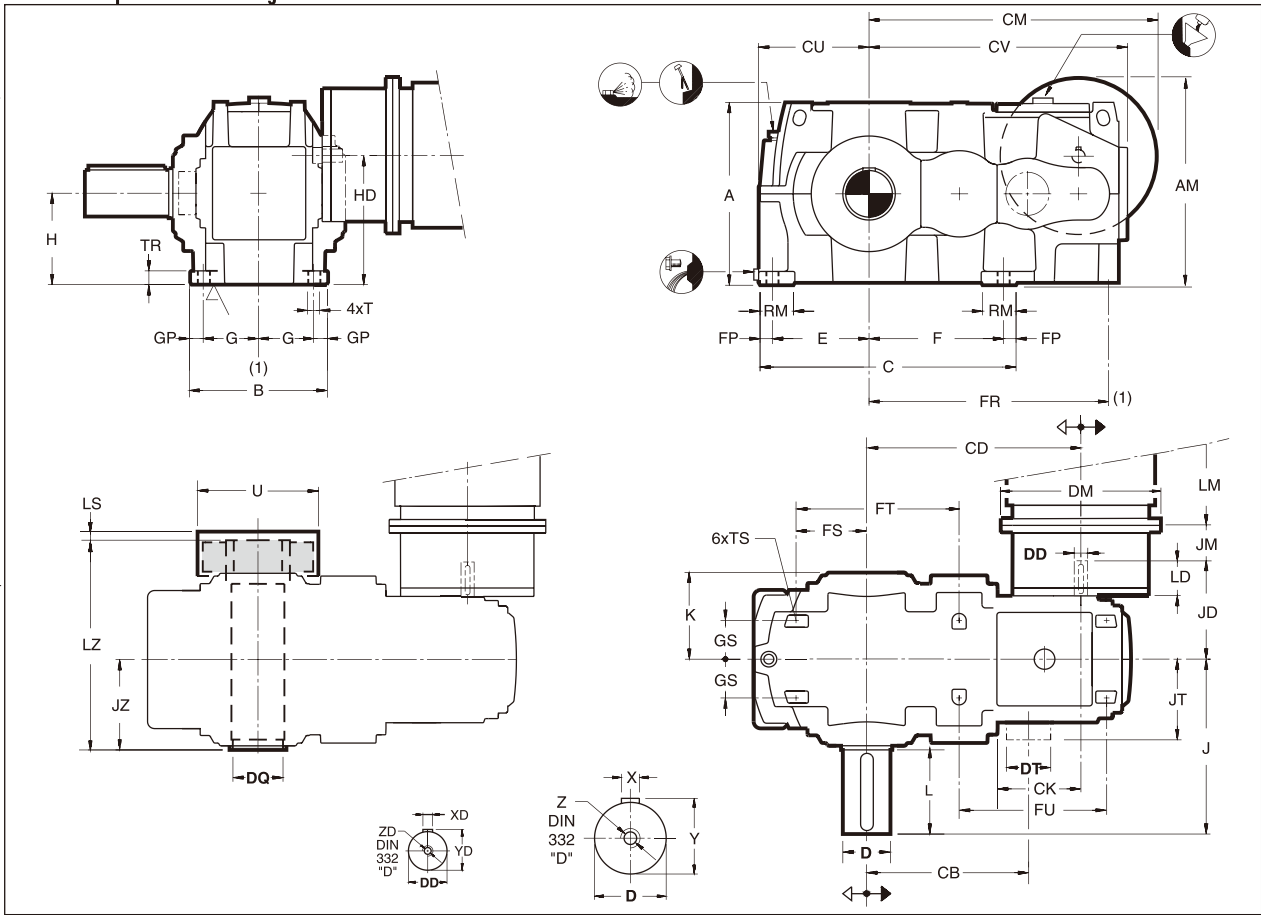
Certified dimensions upon request.

用户应正确安装所有设备并提供安全保护装置

可按要求提供详细尺寸

1 = standard shaft extension
2 = additional shaft extension
3 = additional shaft extension (ø=DC)

1=标准轴伸
2=附加轴伸
3=附加轴伸 (φ=DC)



(1) Fixation point for the torque arm (see p.B38)
(2) Max. dimensions depending on motor execution and motor power
(3) To be specified separately
(4) Without motor
(5) Refer to us for combination of backstop with additional shaft extension

(1) 用于力矩臂的固定点 (见 B38页)

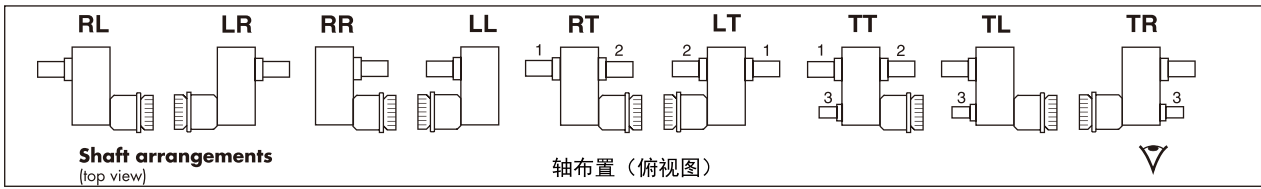
(2) 最大的尺寸根据电机功率

及型号而定

(3) 另行确定

(4) 不带电机

(5) 关于轴伸、逆止器或风扇的配置问题, 详情请咨询汉森传动



Type 型号	A	B	C	CD	CK	CU	CV	E	F	FP	FR	FS	FT	FU	G	GP	GS	H	HD	J	JD	JZ	K	RM	T	TR	TS	kg (4)	Litres 公升
QHDP4	450	350	660	523	199	280	660	245	345	35	610	180	385	390	140	35	100	225	334	435	272	220	210	95	28	35	M16	550	25
QHPE4	530	400	750	607	234	320	749	280	390	40	695	200	462	418	160	40	112	265	374	505	272	245	237	105	35	40	M16	820	45
QHPE4	610	460	855	696	265	360	852	315	450	45	795	220	500	495	185	45	130	305	431	540	288	275	273	115	35	45	M20	1170	65
QHPE4	760	550	965	800	303	400	983	350	515	50	918	240	565	565	225	50	160	375	523	635	305	315	313	130	42	60	M20	1650	106
QHPE4	760	550	1087	872	303	450	1055	400	587	50	990	290	687	565	225	50	160	375	523	685	305	320	313	130	42	60	M20	2380	115

Type 型号	Shafts Keys 轴键															Backstop 逆止器 (5)		
	Solid 实心					Hollow 空心					ISO/R773-1969					CB	DT	JT
	D-m6	L	X	Y	Z	DQ	LS	LZ	U max	DD-k6	LD	XD	YD	ZD				
QHDP4	115	210	32	122	M24	130	30	531	310	38	82	10	41	M12	397	152	252	
QHPE4	135	250	36	143	M30	150	30	603	340	38	82	10	41	M12	459	175	304	
QHPE4	155	250	40	164	M30	170	30	688	390	42	82	12	45	M16	525	188	333	
QHPE4	180	300	45	190	M30	190	30	772	425	48	82	14	51,5	M16	603	214	361	
QHPE4	190	350	45	200	M30	210	40	794	450	48	82	14	51,5	M16	675	214	361	

MOTOR 电机			Hansen P4															Coupling 联轴器 (3)												
IEC V1	DM	LM (2)	QHDP4			QHPE4			QHPE4			QHPE4			QHPE4															
			AM	CM	JM	AM	CM	JM	AM	CM	JM	AM	CM	JM	AM	CM	JM													
100	250		459	648	64	499	732	64																						
112	250		459	648	64	499	732	64																						
132	300		484	673	84	524	757	84	581	846	84	673	950	84	673	1022	84													
160	350		509	698	115	549	782	115	606	871	115	698	975	115	698	1047	115													
180	350		509	698	115	549	782	115	606	871	115	698	975	115	698	1047	115													
200	400		534	723	115	574	807	115	631	896	115	723	1000	115	723	1072	115													
225	450					599	832	145	656	921	145	748	1025	145	748	1097	145													
250	550								706	971	145	798	1075	145	798	1147	145													
280	550								706	971	145	798	1075	145	798	1147	145													
315	660											853	1130	175	853	1202	175													

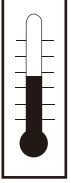
Hansen P4	Gear unit	减速机			<table border="1"> <tr><td>Q</td></tr> <tr><td>H</td></tr> <tr><td>R</td></tr> <tr><td>A ▶ M</td></tr> <tr><td>2</td></tr> </table>	Q	H	R	A ▶ M	2	P
	Q										
	H										
	R										
	A ▶ M										
2											
Horizontal low speed shaft	水平低速轴										
Right-angle shafts	正交轴										
Size	规格										
Two stages	二级										

Mechanical power ratings 机械功率 **kW**

i_N	r.p.m.		Size - 规格												
	n_1	n_2	A	B	C	D	E	F	G	H	J	K	L	M	
25	1800	72												1856	
	1500	60												1547	
	1200	48												1237	
	1000	40												1031	
	900	36												928	
	750	30												773	

Thermal power ratings 热功率 **P_t kW**

i_N	r.p.m. n_1		Size - 规格												
			A	B	C	D	E	F	G	H	J	K	L	M	
6,3	1800	-	43	50	57	58									
		1	100	145	180	270	340	530	670	730	770	690			
	1500	-	45	55	67	81	87	105							
		1	99	140	180	270	350	530	720	800	930	920	1050	830	
	1200	-	46	58	74	94	115	150	160	170					
		1	86	125	160	240	320	480	660	750	900	920	1200	1100	
9	1000	-	45	59	75	98	125	165	200	220	200	180			
		1	77	110	145	220	290	430	610	690	850	880	1150	1150	
	900	-	44	58	76	99	130	170	220	250	260	250	200		
		1	72	105	140	200	270	400	580	660	820	860	1100	1100	
	750	-	42	56	74	100	130	170	240	270	310	320	360	320	
		1	64	93	120	180	240	360	530	600	760	800	1050	1100	
		P_{fc}^*	60	72	84	180	210	310	350	360	580	620	910	770	
10	1800	-	36	43	53	61	69	81							
		1	79	115	150	210	290	440	580	680	760	790	910	610	
	1500	-	36	47	58	72	90	115	135						
		1	76	110	140	210	290	430	600	720	840	890	1100	1050	
	1200	-	36	47	62	78	100	135	160	180	200	190			
		1	66	96	125	180	250	380	540	660	800	840	1100	1100	
14	1000	-	35	46	61	81	105	140	190	220	230	240	250	145	
		1	58	86	115	165	230	340	490	600	730	790	1050	1100	
	900	-	34	45	61	80	105	140	190	230	270	290	320	280	
		1	54	79	105	155	210	320	460	570	690	760	1000	1100	
	750	-	32	44	59	78	105	140	200	240	290	310	390	390	
		1	48	71	94	140	190	280	410	510	630	700	930	1050	
		P_{fc}^*	50	60	70	150	175	260	295	300	490	520	760	640	
16	1800	-	29	36	46	53	71	88	97	105					
		1	62	87	115	160	230	350	480	550	650	690	880	910	
	1500	-	29	37	48	60	81	105	110	125	120				
		1	59	84	110	160	230	350	480	560	680	730	980	1050	
	1200	-	29	37	49	62	87	115	150	165	170	190	220	200	
		1	51	72	95	140	200	300	430	500	630	670	920	1000	
25	1000	-	28	36	48	62	88	115	160	180	210	230	290	290	
		1	45	64	85	125	180	270	380	450	570	610	860	950	
	900	-	27	35	47	61	88	120	160	190	225	250	320	330	
		1	42	60	79	115	170	250	360	430	540	580	820	910	
	750	-	25	33	45	59	85	115	160	190	230	260	350	380	
		1	37	53	70	100	150	220	320	380	480	520	750	830	
		P_{fc}^*	50	60	70	150	175	260	295	300	490	520	760	640	



QHR... (kW)

Number of fans. Correction factors - see p. A9

风扇数量 修正系数参见A21页

P_{fc}^* Additional thermal power with cooling coil - see p. A9. To be applied only if basic thermal power ratings are listed.

P_{fc}^* 带冷却盘管的附加热功率见A21页 仅选用列于表中基本热功率

i_N Nominal ratio
 $n_{1,2}$ Nominal speed (rpm)

i_N 标称速比
 $n_{1,2}$ 标称转速 (rpm)

Hansen P4

Gear unit	减速机
Horizontal low speed shaft	水平低速轴
Right-angle shafts	正交轴
Size	规格
Three stages	三级

Q	P
H	
R	
C ▶ T	
3	

Mechanical power ratings

机械功率

kw

i _N	r.p.m.		Size - 规格																
	n ₁	n ₂	C	D	E	F	G	H	J	K	L	M	N	P	Q	R	S	T	
20	1800	90	144	227	353	511	740												
	1500	75	122	191	300	426	631												
	1200	60	99	154	240	341	518												
	1000	50	83	129	200	284	433												
	900	45	75	117	180	255	389												
	750	38	63	98	150	213	324												
22,4	1800	80	133	213	313	452	655		1106										
	1500	67	114	178	261	377	558		922										
	1200	54	94	143	209	301	458		737										
	1000	45	79	119	174	251	396		614										
	900	40	71	108	157	226	357		553										
	750	33	59	90	130	188	298		461										
25	1800	72	117	187	286	406	605	779	1061		1749		2686 *			4359 *			
	1500	60	100	156	238	339	516	649	888		1482		2288			3836 *			
	1200	48	82	126	191	271	429	519	713		1185		1880			3199			
	1000	40	70	105	159	226	363	433	597		988		1592			2724			
	900	36	64	95	143	203	327	389	538		889		1433			2483			
	750	30	54	79	119	169	273	324	450		741		1194			2117			
28	1800	64	109	168	249	359	535	712	893	1106	1612		2470 *	2766 *		4049 *	4358 *		
	1500	54	93	140	208	300	456	593	747	922	1347		2104	2435		3543 *	3836 *		
	1200	43	75	113	166	240	378	474	600	737	1077		1729	1950		2912	3201		
	1000	36	63	94	138	200	316	395	502	614	898		1476	1625		2480	2727		
	900	32	56	85	125	180	285	356	453	553	808		1356	1462		2261	2485		
	750	27	47	71	104	150	238	296	378	461	673		1130	1219		1929	2117		
31,5	1800	57	95	150	232	321	497	651	826	1106	1433	1747	2176	2645 *		3625 *	4048 *	4357 *	
	1500	48	81	126	193	268	429	543	691	922	1194	1488	1854	2215		3088	3550 *	3835 *	
	1200	38	66	101	154	214	348	434	555	737	955	1206	1504	1772		2537	2917	3201	
	1000	32	56	84	129	178	291	362	464	614	796	1005	1253	1477		2162	2485	2726	
	900	28,5	51	76	116	161	262	326	418	553	717	905	1128	1329		1972	2265	2485	
	750	24	43	63	97	134	219	271	350	461	597	754	940	1108		1679	1929	2116	
35,5	1800	51	88	135	202	284	442	566	726	934	1302	1611	2001	2302	2787 *	3300 *	3625 *	4048 *	
	1500	42	74	113	168	237	378	472	607	778	1085	1370	1704	1918	2453	2811	3090	3549	
	1200	34	59	90	134	189	303	377	488	622	868	1096	1367	1535	1986	2310	2539	2917	
	1000	28	50	75	112	158	254	314	408	519	724	913	1139	1279	1655	1971	2163	2484	
	900	25,5	45	68	101	142	229	283	368	467	651	822	1025	1151	1490	1797	1971	2264	
	750	21	37	57	84	118	191	236	307	389	543	685	854	959	1242	1498	1674	1929	
40	1800	45	77	120	182	259	416	521	672	863	1100	1445	1806	2057	2664 *	3006	3306 *	3624 *	
	1500	38	66	100	152	216	347	434	562	719	916	1215	1521	1715	2247	2560	2816	3090	
	1200	30	54	80	121	173	279	347	451	576	733	972	1216	1372	1806	2106	2314	2539	
	1000	25	46	67	101	144	233	289	377	480	611	810	1014	1143	1505	1794	1971	2162	
	900	22,5	41	61	91	130	210	260	340	432	550	729	912	1029	1355	1635	1796	1971	
	750	19	35	51	76	108	176	217	284	360	458	608	760	857	1129	1362	1498	1679	
45	1800	40	72	108	158	229	362	453	578	756	999	1325	1653	1862	2312	2737	3009	3305 *	
	1500	33	60	90	132	191	303	377	483	630	833	1104	1377	1552	1955	2331	2563	2815	
	1200	26,5	48	72	106	153	243	302	388	504	666	883	1102	1242	1564	1919	2106	2313	
	1000	22	40	60	88	127	203	252	324	420	555	736	918	1035	1303	1617	1794	1971	
	900	20	36	54	79	115	183	226	292	378	500	663	826	931	1173	1455	1624	1796	
	750	16,5	30	45	66	96	153	189	244	315	416	552	689	776	977	1213	1354	1498	
50	1800	36	63	93	143	203	327	416	535	699	883	1119	1450	1653	2054	2440	2741	3008	
	1500	30	54	78	119	169	273	346	447	582	736	932	1208	1377	1712	2079	2335	2562	
	1200	24	43	63	95	135	219	277	359	466	588	746	966	1102	1370	1708	1919	2105	
	1000	20	36	53	79	113	183	231	300	388	490	622	805	918	1141	1450	1617	1793	
	900	18	33	48	72	102	165	208	270	349	441	559	725	826	1027	1305	1455	1634	
	750	15	27	40	60	85	138	173	226	291	368	466	604	689	856	1088	1213	1361	
56	1800	32	58	85	125	180	285	361	463	599	802	1017	1318	1480	1897	2245	2468	2741	
	1500	27	48	71	104	150	238	301	387	499	668	847	1098	1233	1581	1916	2102	2335	
	1200	21,5	39	57	83	120	191	241	310	399	535	678	878	986	1265	1563	1728	1918	
	1000	18	32	47	69	100	160	201	259	333	446	565	732	822	1054	1302	1441	1617	
	900	16	29	43	62	90	144	181	234	300	401	508	659	740	949	1172	1297	1455	
	750	13,5	24	36	52	75	120	151	195	250	334	424	549	617	791	977	1081	1213	
63	1800	28,5	46	62	98	149	218	326	428	554	714	898	1131	1321	1653	2035	2249	2468	
	1500	24	38	52	82	124	182	271	357	462	595	749	943	1101	1377	1733	1916	2102	
	1200	19	31	42	66	100	146	217	287	369	476	599	754	880	1102	1408	1554	1727	
	1000	16	26	35	55	83	122	181	240	308	397	499	628	734	918	1173	1295	1449	
	900	14,5	23	31	49	75	110	163	216	277	357	449	566	660	826	1056	1166	1304	
	750	12	19,2	26	41	63	92	136	180	231	297	374	471	550	689	880	971	1087	
71	1800	25,5	38	54	85	130	192	283	360	466	649	816	1028	1154	1508	1854	2035	2249	
	1500	21	32	45	71	109	160	236	300	391	540	680	857	962	1256	1579	1733	1915	
	1200	17,2	25	36	57	87	129	189	240	316	432	544	685	770	1005	1268	1389	1563	
	1000	14	21	30	47	73	108	157	200	265	360	453	571	641	838	1056	1157	1302	
	900	12,5	19	27	43	65	97	142	180	239	324	408	514	577	754	951	1041	1172	
	750	10,5	15,9	23	36	55	81												

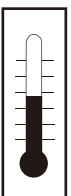
Hansen P4	Gear unit	减速机			<table border="1"> <tr><td>Q</td></tr> <tr><td>H</td></tr> <tr><td>R</td></tr> <tr><td>C ▶ T</td></tr> <tr><td>3</td></tr> </table>	Q	H	R	C ▶ T	3	P
	Q										
	H										
	R										
	C ▶ T										
3											
Horizontal low speed shaft	水平低速轴										
Right-angle shafts	正交轴										
Size	规格										
Three stages	三级										

Mechanical power ratings 机械功率 **kW**

i_N	r.p.m.		Size - 规格																
	n_1	n_2	C	D	E	F	G	H	J	K	L	M	N	P	Q	R	S	T	
80	1800	22,5	36	51	79	119	170		301	441	521	726		1039	1321		1854	2034	
	1500	19	30	43	66	100	142		252	368	435	605		866	1101		1560	1733	
	1200	15	24	34	53	80	114		202	294	349	484		693	880		1248	1396	
	1000	12,5	19,9	29	44	67	95		169	245	292	403		577	734		1040	1164	
	900	11,5	17,9	26	40	60	86		152	221	263	363		520	660		936	1047	
	750	9,4	15	22	33	50	72		127	184	220	303		433	550		780	873	
90	1800	20	29	45	68	104	150		294		453	660			1168			1854	
	1500	16,5	25	37	57	87	126		246		386	550			980			1569	
	1200	13,5	19,7	30	45	70	101		197		317	440			784			1255	
	1000	11	16,5	25	38	58	84		164		266	367			653			1046	
	900	10	14,8	22	34	52	76		148		240	330			588			941	
	750	8,3	12,4	18,7	29	44	63		123		200	275			490			784	
100	1800	18							245		418				1039				
	1500	15							204		349				866				
	1200	12							164		280				693				
	1000	10							137		234				577				
	900	9							123		211				520				
	750	7,5							103		176				433				

Thermal power ratings 热功率 **P_t kW**

i_N	r.p.m.		Size - 规格																
			C	D	E	F	G	H	J	K	L	M	N	P	Q	R	S	T	
20	1800	-	50	63	82	99	145	160	190	200	170	180		1100	1150		1150	1150	
	1500	-	50	64	87	110	160	175	210	230	250	270		1200	1250		1400	1450	
	1200	-	48	63	87	110	160	180	230	250	300	320		1050	1100		1350	1400	
	1000	-	46	61	85	110	160	180	230	250	320	340	400	420			1300	1350	
	900	-	80	105	145	220	310	350	490	540	730	780	980	1050					
	750	-	45	60	83	110	160	180	230	250	320	350	420	440					
31,5	1800	-	74	99	135	200	290	330	460	500	690	730	930	980			1250	1300	
	1500	-	43	57	80	110	160	180	220	250	330	350	430	460			560	600	
	1200	-	66	88	120	180	260	290	410	450	610	660	840	890			1150	1200	
	1000	-	71	110	160	205	230	245	410	420	590	500							
	900	-	39	50	68	87	130	150	180	200	220	220							
	750	-	82	110	145	210	310	370	520	610	780	880	1000	1100	1150	1300	1350	1350	
35,5	1800	-	38	50	69	89	130	160	190	220	250	280							
	1500	-	77	100	140	210	300	360	510	590	760	870	1000	1100	1200	1350	1400	1500	
	1200	-	36	49	67	88	130	160	190	220	280	310	350	380	400				
	1000	-	66	88	120	180	260	320	440	510	670	770	910	980	1100	1250	1300	1400	
	900	-	35	47	64	86	130	155	190	220	280	320	370	400	440	480	510	510	
	750	-	58	78	105	160	230	280	390	460	600	690	830	890	990	1150	1200	1300	
56	1800	-	33	45	63	84	125	150	190	220	280	330	380	410	450	500	540	550	
	1500	-	54	73	100	150	220	260	360	430	560	650	780	840	940	1100	1150	1250	
	1200	-	31	43	60	80	120	145	180	210	280	320	380	410	460	520	560	590	
	1000	-	47	64	89	130	190	230	320	380	500	590	700	750	850	980	1050	1150	
	900	-	56	84	125	160	180	190	320	320	460	390							
	750	-	32	43	59	73	110	130	160	180	200	230							
63	1800	-	65	89	120	170	250	300	430	490	600	700	850	910	980	1150	1200	1250	
	1500	-	31	43	58	74	110	130	160	190	220	250	290	310	330				
	1200	-	62	85	115	165	240	290	410	470	590	680	830	900	970	1150	1250	1300	
	1000	-	29	41	56	72	110	130	160	190	230	270	310	330	360	410	440	460	
	900	-	52	73	99	140	210	250	350	400	510	600	730	790	860	1050	1100	1150	
	750	-	28	39	54	70	105	125	160	180	230	270	320	340	380	440	470	490	
100	1800	-	46	64	87	125	190	220	310	360	460	540	660	710	780	940	1000	1050	
	1500	-	27	38	52	68	100	120	150	180	220	260	320	350	380	440	480	500	
	1200	-	43	60	81	120	170	210	290	330	430	500	620	670	730	890	950	1000	
	1000	-	25	36	49	65	97	115	145	170	210	250	320	340	370	440	480	500	
	900	-	38	53	72	105	155	180	250	290	380	440	550	600	660	800	860	900	
	750	-	50	76	115	145	160	170	290	290	410	350							



QHR... (kW)

Number of fans. Correction factors - see p. A9
P_{tc} Additional thermal power with cooling coil - see p. A9
 To be applied only if basic thermal power ratings are listed.

风扇数量 修正系数参见A21页
P_{tc} 带冷却盘管的附加热功率见A21页 仅选用列于表中基本热功率

i_N Nominal ratio
 $n_{1,2}$ Nominal speed (rpm)

i_N 标称速比
 $n_{1,2}$ 标称转速 (rpm)

Hansen P4

Gear unit	减速机				<table border="1"> <tr><td>Q</td></tr> <tr><td>H</td></tr> <tr><td>R</td></tr> <tr><td>D ▶ T</td></tr> <tr><td>4</td></tr> </table>	Q	H	R	D ▶ T	4	<table border="1"> <tr><td>P</td></tr> </table>	P
Q												
H												
R												
D ▶ T												
4												
P												
Horizontal low speed shaft	水平低速轴											
Right-angle shafts	正交轴											
Size	规格											
Four stages	四级											

Mechanical power ratings 机械功率 **kw**

i _N	r.p.m.		Size - 规格																
	n ₁	n ₂	D	E	F	G	H	J	K	L	M	N	P	Q	R	S	T		
80	1800	22,5	61	92	128	193	259	332		581		864			1334				
	1500	19	51	77	106	170	216	277		484		738			1174				
	1200	15	41	61	85	137	172	223		387		590			1004				
	1000	12,5	34	51	71	114	144	186		323		492			884				
	900	11,5	31	46	64	103	129	168		290		443			821				
	750	9,4	26	38	53	86	108	140		242		369			696				
90	1800	20	55	80	113	178	225	297	383	505		811	904		1330	1334			
	1500	16,5	46	67	94	148	188	248	319	421		681	753		1171	1174			
	1200	13,5	37	53	75	119	150	199	255	336		545	602		991	1004			
	1000	11	31	44	63	99	125	166	213	280		454	502		826	884			
	900	10	28	40	56	90	113	150	192	252		409	452		743	821			
	750	8,3	23	33	47	75	94	125	160	210		341	377		620	696			
100	1800	18	48	73	100	163	202	274	339	446	591	737	834		1143	1330	1334		
	1500	15	40	60	83	136	168	229	282	372	492	614	695		1006	1171	1174		
	1200	12	32	48	67	109	135	184	226	297	394	491	556		860	991	1004		
	1000	10	27	40	56	91	112	153	188	248	328	409	464		735	826	884		
	900	9	24	36	50	82	101	138	169	223	295	368	417		661	743	821		
	750	7,5	20	30	42	68	84	115	141	186	246	307	348		551	619	695		
112	1800	16	43	63	89	142	175	237	304	405	514	670	752	870	1143	1291	1330		
	1500	13,5	36	53	74	118	146	198	253	338	428	558	627	741	988	1125	1171		
	1200	10,5	29	42	59	95	117	159	203	270	342	446	501	609	798	900	990		
	1000	8,9	24	35	49	79	97	132	169	225	285	372	418	510	665	750	825		
	900	8	22	32	44	71	88	119	152	203	257	335	376	459	598	675	742		
	750	6,7	18,2	26	37	60	73	100	127	169	214	279	313	382	499	563	619		
125	1800	14,5	32	57	80	132	161	219	281	355	454	570	684	811	949	1143	1291		
	1500	12	27	48	67	110	134	183	234	296	378	475	570	691	836	988	1124		
	1200	9,6	21	38	53	88	107	147	187	237	303	380	456	565	711	797	900		
	1000	8	17,7	32	45	74	89	122	156	197	252	317	380	470	592	664	750		
	900	7,2	16	29	40	67	80	110	141	177	227	285	342	423	533	598	675		
	750	6	13,3	24	33	56	67	92	117	148	189	238	285	353	444	498	562		
140	1800	13	28	50	71	115	140	188	242	323	413	518	582	766	950	949	1143		
	1500	10,5	23	42	59	96	116	157	202	269	344	432	485	638	804	836	988		
	1200	8,6	18,5	33	47	77	93	126	161	215	275	346	388	511	643	710	796		
	1000	7,1	15,4	28	39	64	78	105	134	179	229	288	323	426	536	592	664		
	900	6,4	13,9	25	35	58	70	95	121	161	206	259	291	383	482	533	597		
	750	5,4	11,6	21	30	48	58	79	101	134	172	216	243	319	402	444	498		
160	1800	11,5	26	46	64	104	130	173	224	284	361	462	529	695	836	949	1067		
	1500	9,4	22	38	53	87	108	145	186	237	301	385	441	581	696	803	906		
	1200	7,5	17,5	31	43	70	87	116	149	189	241	308	353	465	557	643	725		
	1000	6,3	14,6	26	35	58	72	97	124	158	201	257	294	387	464	535	604		
	900	5,6	13,1	23	32	52	65	87	112	142	181	231	265	349	418	482	544		
	750	4,7	10,9	19,2	27	44	54	73	93	118	150	192	220	291	348	402	453		
180	1800	10	23	40	56	91	113	152	191	258	328	406	471	593	740	835	949		
	1500	8,3	19	33	47	76	94	127	159	215	273	338	393	494	617	696	802		
	1200	6,7	15,2	27	38	61	75	102	128	172	219	271	314	395	493	557	642		
	1000	5,6	12,7	22	31	51	63	85	106	143	182	226	262	329	411	464	535		
	900	5	11,4	20	28	46	56	76	96	129	164	203	236	297	370	418	481		
	750	4,2	9,5	16,7	23	38	47	64	80	108	137	169	196	247	308	348	401		
200	1800	9	21	37	50	82	102	140	177	227	289	366	428	540	632	724	834		
	1500	7,5	17,2	31	42	68	85	117	147	189	241	305	357	450	532	615	695		
	1200	6	13,8	25	33	55	68	94	118	151	193	244	286	360	425	492	556		
	1000	5	11,5	21	28	46	57	78	98	126	161	203	238	300	355	410	464		
	900	4,5	10,4	18,5	25	41	51	71	88	113	144	183	214	270	319	369	417		
	750	3,8	8,7	15,4	21	34	43	59	74	94	120	152	178	225	266	307	348		
224	1800	8	18	32	44	71	89	119	154	206	263	333	374	480	594	670	724		
	1500	6,7	15	27	37	60	74	100	129	172	219	277	311	400	495	559	614		
	1200	5,4	12	21	30	48	59	80	103	137	175	222	249	320	396	447	491		
	1000	4,5	10	17,9	25	40	49	67	86	114	146	185	208	267	330	372	410		
	900	4	9	16,1	22	36	44	60	77	103	131	166	187	240	297	335	369		
	750	3,3	7,5	13,4	18,5	30	37	50	64	86	109	139	156	200	248	279	307		
250	1800	7,2	16,7	26	36	66	80	110	143	177	231	292	340	437	524	594	670		
	1500	6	13,9	21	30	55	67	92	119	148	192	243	283	364	443	495	558		
	1200	4,8	11,1	17,2	24	44	54	74	95	118	154	194	226	291	354	396	447		
	1000	4	9,3	14,3	20	37	45	61	79	99	128	162	189	243	295	330	372		
	900	3,6	8,4	12,9	18,1	33	40	55	71	89	115	146	170	219	266	297	335		
	750	3	7	10,8	15,1	28	33	46	59	74	96	122	141	182	221	247	279		
280	1800	6,4	14,5	22	32	57	70	96	121	161	209	265	298	381	480	524	593		
	1500	5,4	12,1	18,5	27	48	58	80	101	134	175	221	248	317	400	442	494		
	1200	4,3	9,7	14,8	22	38	47	64	81	108	140	177	198	254	320	354	395		
	1000	3,6	8,1	12,4	18,1	32	39	53	67	90	116	147	165	211	267	295	329		
	900	3,2	7,3	11,1	16,3	29	35	48	60	81	105	133	149	190	240	265	297		
	750	2,7	6,1	9,3	13,6	24	29	40	50	67	87	110	124	159	200	221	247		

* 要求压力润滑
向汉森传动咨询

i_N Nominal ratio
n_{1,2} Nominal speed (rpm)

i_N 标称速比
n_{1,2} 标称转速 (rpm)

Hansen P4	Gear unit	减速机			<table border="1"> <tr><td>Q</td></tr> <tr><td>H</td></tr> <tr><td>R</td></tr> <tr><td>D ▶ T</td></tr> <tr><td>4</td></tr> </table>	Q	H	R	D ▶ T	4	P
	Q										
	H										
	R										
	D ▶ T										
4											
Horizontal low speed shaft	水平低速轴										
Right-angle shafts	正交轴										
Size	规格										
Four stages	四级										

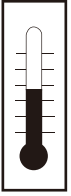
Mechanical power ratings 机械功率 **kW**

i _N	r.p.m.		Size - 规格																	
	n ₁	n ₂	D	E	F	G	H	J	K	L	M	N	P	Q	R	S	T			
315	1800	5,7				13,4	20	30	44	64	88	112	131	181	236	271	346	425	480	542
	1500	4,8				11,2	16,7	25	36	54	74	93	109	150	197	225	289	354	400	451
	1200	3,8				9	13,4	19,8	29	43	59	75	88	120	157	180	231	283	320	361
	1000	3,2				7,5	11,2	16,5	24	36	49	62	73	100	131	150	192	236	267	301
	900	2,85				6,7	10,1	14,9	22	32	44	56	66	90	118	135	173	213	240	271
	750	2,4				5,6	8,4	12,4	18,3	27	37	47	55	75	98	113	144	177	200	226
355	1800	5,1				11,7	17,3	27	37	56	73	97	116	164	215	241	303	384	425	480
	1500	4,2				9,7	14,4	22	31	47	61	81	97	137	179	201	253	320	354	400
	1200	3,4				7,8	11,6	17,8	25	37	49	64	77	109	143	161	202	256	283	320
	1000	2,8				6,5	9,6	14,9	20	31	40	54	64	91	119	134	168	214	236	266
	900	2,55				5,9	8,7	13,4	18,4	28	36	48	58	82	107	121	152	192	212	240
	750	2,1				4,9	7,2	11,2	15,3	23	30	40	48	68	89	100	126	160	177	200
400	1800	4,5				16,1	24	34	46	62	89	102	127		219	276		384	424	
	1500	3,8				13,4	19,9	28	38	52	75	85	106		183	230		320	354	
	1200	3				10,7	15,9	23	31	41	60	68	85		146	184		256	283	
	1000	2,5				8,9	13,2	19	26	34	50	57	71		122	153		213	236	
	900	2,25				8,1	11,9	17,1	23	31	45	51	64		110	138		192	212	
	750	1,9				6,7	9,9	14,3	19,2	26	37	43	53		91	115		160	177	
450	1800	4				13,9	21	30		60	73	93	116			246			372	
	1500	3,3				11,6	17,8	25		50	61	77	96			205			310	
	1200	2,65				9,3	14,3	20		40	48	62	77			164			248	
	1000	2,2				7,7	11,9	16,8		33	40	52	64			136			207	
	900	2				7	10,7	15,1		30	36	46	58			123			186	
	750	1,65				5,8	8,9	12,6		25	30	39	48			102			155	
500	1800	3,6							36	50		83	99			224				
	1500	3							30	42		69	83			186				
	1200	2,4							24	34		55	66			149				
	1000	2							20	28		46	55			124				
	900	1,8							18	25		41	50			112				
	750	1,5							15	21		35	41			93				

QHR...
(kW)

Thermal power ratings 热功率 **P_t kW**

i _N	r.p.m. n ₁		Size - 规格																		
			D	E	F	G	H	J	K	L	M	N	P	Q	R	S	T				
80 ↓	1800	-				41	55	74	110	130	160	190	250	230	340	350	380	390	460	470	
	1500	-				39	53	72	105	130	155	180	240	240	330	350	370	410	460	480	
	1200	-				37	49	68	100	120	150	170	230	230	320	340	360	420	460	470	
	1000	-				35	47	65	97	115	140	165	220	220	310	330	350	420	450	460	
	900	-				34	45	63	95	110	140	160	210	220	300	320	340	410	450	460	
	750	-				32	42	59	89	105	130	150	200	210	290	300	320	400	430	450	
125			P _{tc} ⁺			63	95	120	135	145	240	245	345	290							
	140 ↓	1800	-				32	40	54	81	96	115	135	180	210	270	300	340	350	380	400
		1500	-				31	39	53	78	93	115	135	180	200	270	290	330	360	380	410
		1200	-				30	36	50	74	88	110	130	170	200	250	280	320	350	380	410
		1000	-				28	35	47	70	84	105	125	165	190	240	270	310	340	370	400
		900	-				28	33	46	67	81	100	120	160	190	240	260	300	330	360	390
750		-				26	31	43	63	76	96	115	150	180	230	250	280	320	350	370	
250			P _{tc} ⁺			54	81	105	115	125	205	210	295	250							
	280 ↓	1800	-				26	33	44	63	72	90	105	140	160	230	240	260	290	320	330
		1500	-				25	31	42	61	69	87	100	140	160	220	230	250	290	310	330
		1200	-				24	30	40	58	65	83	95	130	150	210	220	240	280	300	320
		1000	-				23	28	38	55	62	79	90	125	140	200	210	230	270	290	310
		900	-				23	27	37	53	60	77	87	120	140	190	200	220	270	280	300
750		-				22	26	35	51	56	73	82	115	130	180	190	210	250	270	280	
500			P _{tc} ⁺			48	71	91	100	110	180	185	260	220							



Refer to us

风扇数量
修正系数参见A21页

P_{tc}⁺ Additional thermal power with cooling coil - see p. A9
To be applied only if basic thermal power ratings are listed.

P_{tc}⁺ 带冷却盘管的附加热功率见A21页
仅选用列于表中基本热功率

i_N Nominal ratio
n_{1,2} Nominal speed (rpm)

i_N 标称速比
n_{1,2} 标称转速 (rpm)

Hansen P4

Gear unit	减速机
Horizontal low speed shaft	水平低速轴
Right-angle shafts	正交轴
Size	规格
Gear sets	级数

Q	J kgm ²
H	
R	
A ▶ T	
2 ▶ 4	

Moments of inertia J related to the HSS

与HSS相关的转动惯量

i _N	Size - 规格																	
	A	B	C	D	E	F	G	H	J	K	L	M	N	P	Q	R	S	T
6,3	0,0124	0,027	0,0554	0,117	0,213	0,406	1,03											
7,1	0,0116	0,0257	0,0522	0,111	0,2	0,391	0,992		2,29		6,24							
8	0,0096	0,0202	0,0426	0,0872	0,175	0,303	0,697	1,18	2,21									
9	0,0091	0,0194	0,0406	0,0837	0,167	0,293	0,675		1,53	2,56	3,89	7,03						
10	0,0071	0,0157	0,0305	0,0576	0,112	0,201	0,433	0,798	1,48		3,76	6,62						
11,2	0,0068	0,0151	0,0292	0,0554	0,106	0,195	0,42		1,06	1,7	2,66	4,36						
12,5	0,0052	0,0116	0,0212	0,0419	0,0742	0,133	0,301	0,492	1,02		2,57	4,12						
14	0,005	0,0112	0,0203	0,0405	0,0707	0,129	0,293		0,714	1,17	1,74	2,96						
16	0,0041	0,0093	0,0164	0,0324	0,0535	0,0971	0,233	0,34	0,693		1,68	2,81						
18	0,004	0,0091	0,0159	0,0316	0,0513	0,0947	0,227		0,525	0,784	1,26	1,93						
20								0,258	0,513		1,23	1,83						
22,4										0,568		1,39						
25												1,32						
20			0,0137	0,0296	0,06	0,128	0,234											
22,4			0,0126	0,0278	0,0555	0,12	0,215		0,452									
25			0,0104	0,0218	0,0455	0,094	0,188	0,247	0,43		1,14		2,52			6,98		
28			0,0097	0,0207	0,0427	0,0891	0,177	0,225	0,33	0,476	1,08		2,4	2,58		6,63	7,13	
31,5			0,0076	0,0167	0,0324	0,0618	0,12	0,197	0,317	0,45	0,768	1,19	1,68	2,45		4,36	6,76	7,3
35,5			0,0072	0,016	0,0306	0,0588	0,112	0,183	0,219	0,344	0,734	1,13	1,6	1,71	2,7	4,15	4,45	6,89
40			0,0055	0,0122	0,0223	0,0446	0,0794	0,125	0,21	0,329	0,475	0,804	1,15	1,63	2,55	2,98	4,23	4,55
45			0,0052	0,0117	0,0212	0,0427	0,0747	0,116	0,144	0,228	0,455	0,764	1,1	1,18	1,79	2,85	3,04	4,31
50			0,0043	0,0097	0,0171	0,0341	0,0567	0,0829	0,138	0,218	0,328	0,496	0,774	1,12	1,69	1,96	2,9	3,11
56			0,0042	0,0094	0,0164	0,0329	0,0538	0,0773	0,104	0,15	0,315	0,472	0,743	0,789	1,22	1,88	2	2,95
63			0,0042	0,0094	0,0165	0,0333	0,054	0,0588	0,101	0,143	0,25	0,342	0,562	0,756	1,16	1,43	1,91	2,04
71			0,0042	0,0094	0,0163	0,0332	0,0537	0,0554	0,101	0,108	0,242	0,327	0,543	0,572	0,82	1,38	1,46	1,94
80			0,0039	0,009	0,0156	0,0314	0,0501		0,1	0,104	0,241	0,259		0,551	0,781		1,4	1,48
90			0,0039	0,009	0,0155	0,0313	0,0499		0,0939		0,227	0,249			0,591			1,42
100									0,0934		0,225				0,567			
80				0,0091	0,0123	0,0265	0,0525	0,0538	0,113		0,227		0,44			1,23		
90				0,009	0,012	0,026	0,0514	0,0485	0,114	0,114	0,205		0,415	0,422		1,12	1,15	
100				0,0072	0,0094	0,0196	0,0399	0,0483	0,113	0,105	0,204	0,233	0,412	0,396		1,06	1,03	1,16
112				0,0071	0,0092	0,0193	0,0392	0,047	0,084	0,106	0,201	0,21	0,404	0,393	0,434	1,04	0,97	1,05
125				0,0071	0,007	0,0152	0,0288	0,0404	0,0831	0,104	0,163	0,208	0,297	0,384	0,406	0,734	0,952	0,981
140				0,0071	0,0069	0,015	0,0284	0,0395	0,0564	0,0849	0,161	0,204	0,292	0,299	0,401	0,721	0,74	0,96
160				0,007	0,0052	0,0114	0,0204	0,0292	0,0559	0,0839	0,105	0,165	0,2	0,294	0,391	0,473	0,726	0,744
180				0,007	0,0052	0,0113	0,0202	0,0286	0,0417	0,057	0,104	0,162	0,136	0,202	0,304	0,467	0,477	0,731
200				0,0053	0,0042	0,0093	0,0161	0,0207	0,0414	0,0564	0,0717	0,107	0,135	0,198	0,298	0,347	0,363	0,481
224				0,0053	0,0042	0,0092	0,0159	0,0203	0,0327	0,0421	0,0708	0,105	0,133	0,136	0,205	0,342	0,348	0,367
250				0,004	0,0042	0,0092	0,0151	0,0162	0,0324	0,0417	0,0526	0,0726	0,1	0,134	0,201	0,277	0,343	0,35
280				0,004	0,0042	0,0092	0,015	0,016	0,0306	0,0329	0,0521	0,0716	0,099	0,101	0,138	0,274	0,279	0,345
315				0,0033	0,0039	0,0088	0,015	0,0152	0,0305	0,0326	0,052	0,0532	0,0922	0,0995	0,135	0,259	0,275	0,28
355				0,0033	0,0039	0,0088	0,015	0,0151	0,0305	0,0308	0,048	0,0526	0,0914	0,0926	0,102	0,257	0,26	0,277
400					0,0039	0,0087	0,0149	0,0151	0,0305	0,0306	0,0479	0,0524		0,0917	0,101		0,258	0,261
450					0,0039	0,0087	0,0149		0,0302	0,0306	0,0474	0,0483			0,0934			0,258
500								0,0149	0,0302		0,0474	0,0482			0,0924			

QHR...
i_{ex} J

Three stages 三级
i_N Nominal ratio i_N 标称速比

Hansen P4

97QU-HR2000133 A

mm

Gear unit	减速机
Horizontal low speed shaft	水平低速轴
Right-angle shafts	正交轴
Size	规格
Two stages	二级

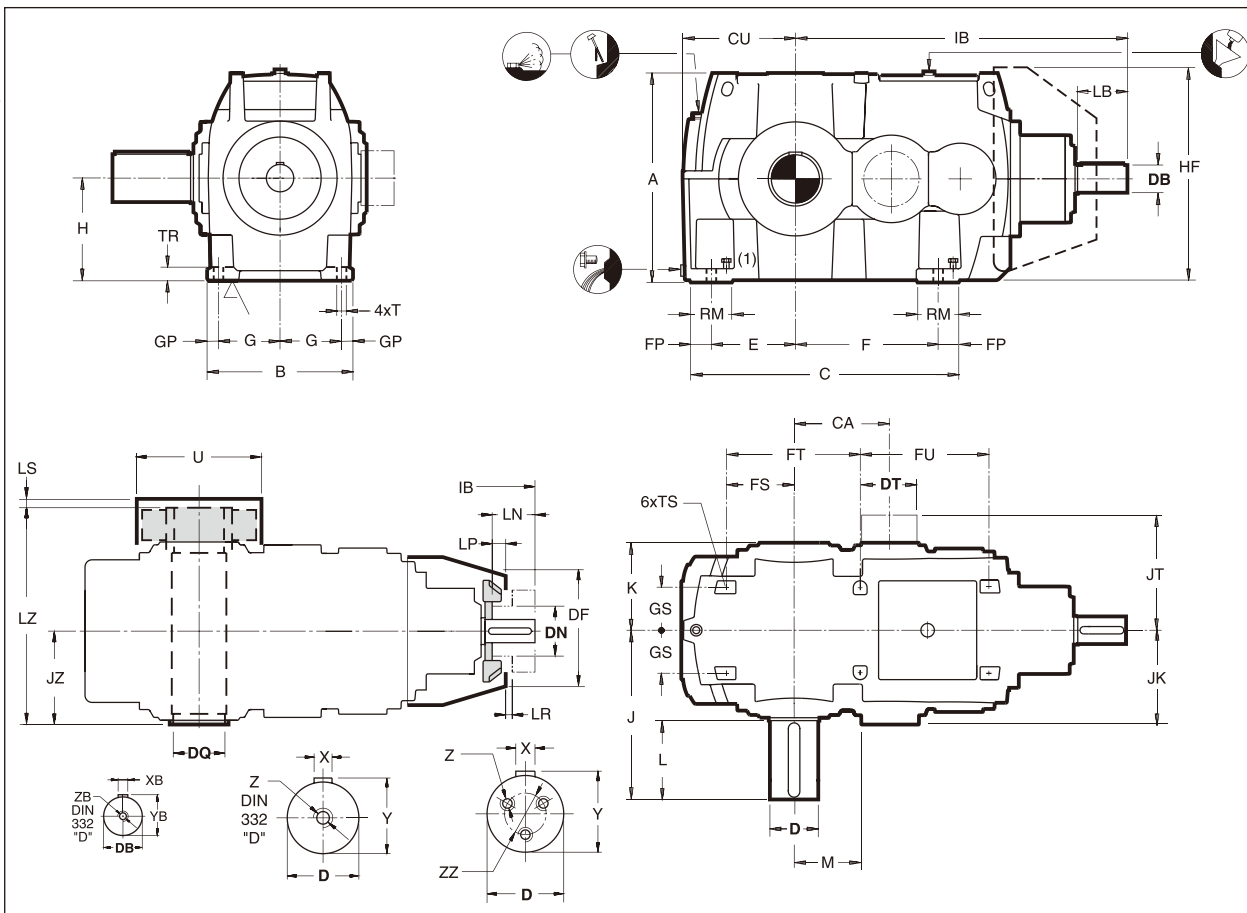
Q
H
R
J ▶ M
2

The user is responsible for the provision of safety guards and correct installation of all equipment.

Certified dimensions upon request.

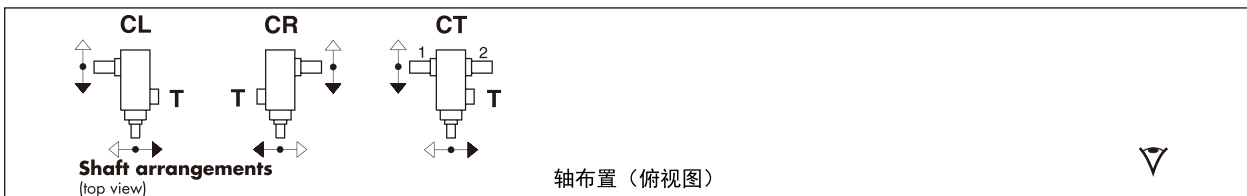
用户应正确安装所有设备并提供安全保护装置

可按要求提供详细尺寸



1 = standard shaft extension
2 = additional shaft extension
T = backstop

1=标准轴伸
2=附加轴伸
T=逆止器



(1) 4 x jacking screw
Fixation point for the torque arm: refer to us
(1) 4x起升螺栓
用于力矩臂的安装点: (向汉森咨询)

Type 型号	A	B	C	CU	E	F	FP	FS	FT	FU	G	GP	GS	H	IB	J	JK	JZ	K	M	RM	T	TR	TS	kg	Litres 公升
QHRJ2	910	640	1175	490	365	620	95	293	580	550	270	50	190	450	1442	735	383	370	364	265	190	42	60	M24	2800	150
QHRK2	910	640	1303	540	415	698	95	343	708	550	270	50	190	450	1520	800	383	375	369	343	190	42	60	M24	3300	165
QHRL2	1130	770	1410	575	430	750	115	350	700	640	330	55	225	560	1742	860	471	440	455	330	230	48	70	M24	4700	285
QHRM2	1130	770	1583	650	505	848	115	425	873	640	330	55	225	560	1840	920	471	440	455	428	230	48	70	M24	5200	330

Type 型号	Shafts Keys 轴键										ISO/R773-1969										Fan 风扇					Backstop 逆止器		
	Solid 实心					Hollow 空心					DB-m6	LB	XB	YB	ZB	DF	DN max	LN	LP	LR min	HF	CA	DT	JT				
	D-m6	L	X	Y	Z	ZZ	DQ	LS	LZ	U max																		
QHRJ2	210	350	50	221	M30	-	230	40	907	480	120	210	32	127	M24	600	280	185	10	40	932	417	295	548				
QHRK2	230	410	50	241	M30	-	260	40	927	540	120	210	32	127	M24	600	280	185	10	40	932	495	295	548				
QHRL2	250	410	56	262	M30	-	280	40	1072	595	140	250	36	148	M30	530	280	225	100	40	1156	507	332	642				
QHRM2	270	470	63	282	3 x M24	140	300	40	1079	615	140	250	36	148	M30	530	280	225	100	40	1156	605	332	642				

Hansen P4

97QU-HR3000043 A

mm

Gear unit	减速机
Horizontal low speed shaft	水平低速轴
Right-angle shafts	正交轴
Size	规格
Three stages	三级

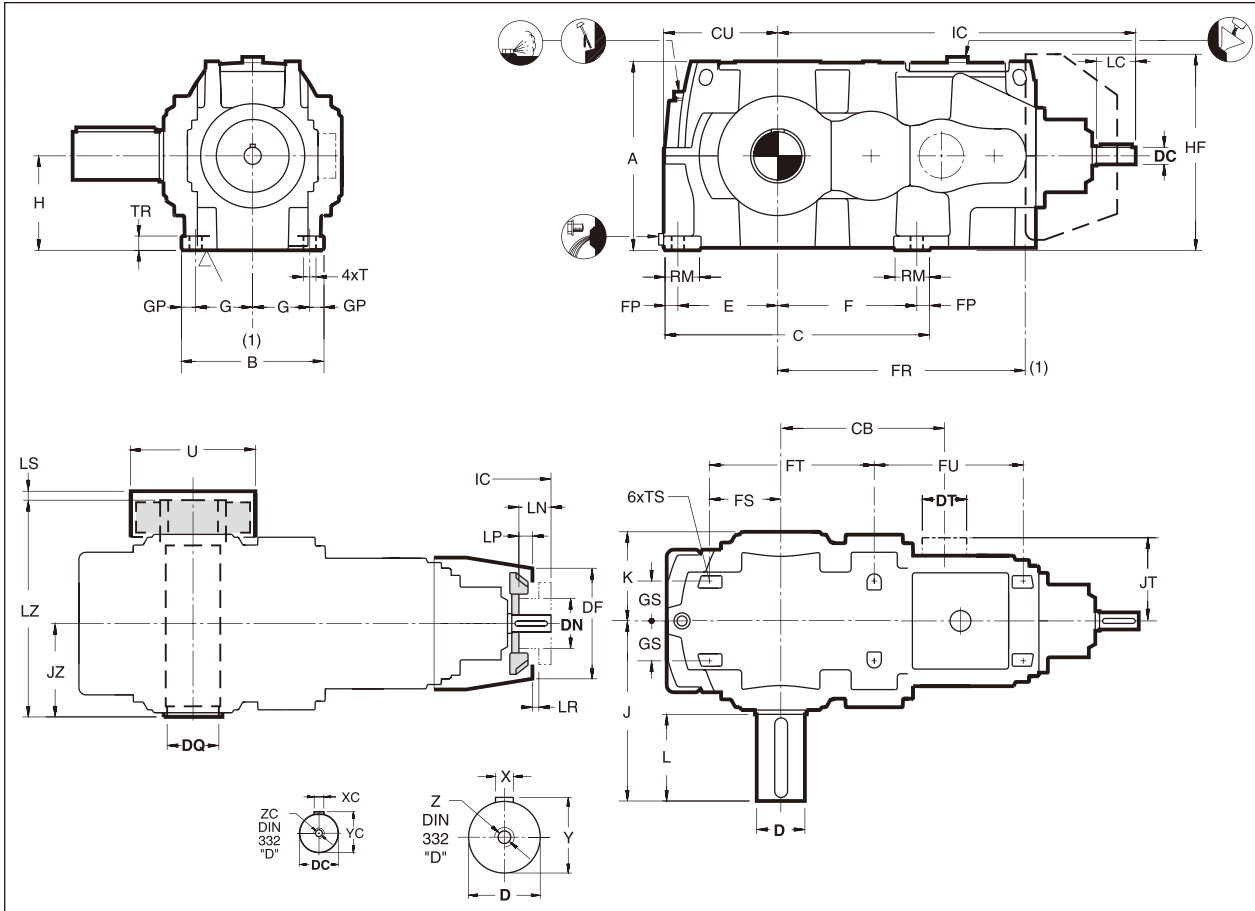
Q
H
R
C ▽ H
3

The user is responsible for the provision of safety guards and correct installation of all equipment.

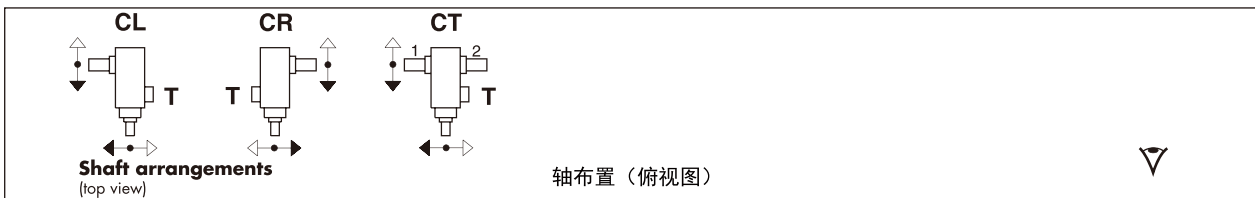
Certified dimensions upon request.

用户应正确安装所有设备并提供安全保护装置

可按要求提供详细尺寸



1 = standard shaft extension
 2 = additional shaft extension
 T = backstop
 1=标准轴伸
 2=附加轴伸
 T=逆止器



(1) Fixation point for the torque arm (see p. B38)

(1) 用于力矩臂的固定点 (见 B38页)

Type 型号	A	B	C	CU	E	F	FP	FR	FS	FT	FU	G	GP	GS	H	IC	J	JZ	K	RM	T	TR	TS	kg	Litres 公升
QHRC3	400	310	585	245	210	305	35	520	150	325	325	120	35	85	200	865	405	195	187	95	28	32	M16	365	16
QHRD3	450	350	660	280	245	345	35	610	180	385	390	140	35	100	225	992	435	220	210	95	28	35	M16	525	25
QHRE3	530	400	750	320	280	390	40	695	200	462	418	160	40	112	265	1074	505	245	237	105	35	40	M16	785	38
QHRF3	610	460	855	360	315	450	45	795	220	500	495	185	45	130	305	1215	540	275	273	115	35	45	M20	1125	61
QHRG3	760	550	965	400	350	515	50	918	240	565	565	225	50	160	375	1353	635	315	313	130	42	60	M20	1600	102
QHRR3	760	550	1087	450	400	587	50	990	290	687	565	225	50	160	375	1425	685	320	313	130	42	60	M20	2250	110

Type 型号	Shafts Keys 轴键									ISO/R773-1969					Fan 风扇					Backstop 逆止器			
	Solid 实心					Hollow 空心				DC	LC	XC	YC	ZC	DF	DN max	LN	LP	LR min	HF	CB	DT	JT
	D-m6	L	X	Y	Z	DQ	LS	LZ	U max														
QHRC3	105	210	28	111	M24	115	30	474	250	35k6	150	10	38	M12	320	160	125	45	20	415	345	132	233
QHRD3	115	210	32	122	M24	130	30	531	310	45k6	180	14	48,5	M16	320	160	155	45	20	467	397	152	252
QHRE3	135	250	36	143	M30	150	30	603	340	50k6	180	14	53,5	M16	320	160	155	45	20	547	459	175	304
QHRF3	155	250	40	164	M30	170	30	688	390	60m6	210	18	64	M20	410	210	185	70	30	630	525	188	333
QHRG3	180	300	45	190	M30	190	30	772	425	65m6	210	18	69	M20	410	210	185	70	30	780	603	214	361
QHRR3	190	350	45	200	M30	210	40	794	450	65m6	210	18	69	M20	410	210	185	70	30	780	675	214	361

Hansen P4

97QU-HR3000143 A

mm

Gear unit	减速机
Horizontal low speed shaft	水平低速轴
Right-angle shafts	正交轴
Size	规格
Three stages	三级

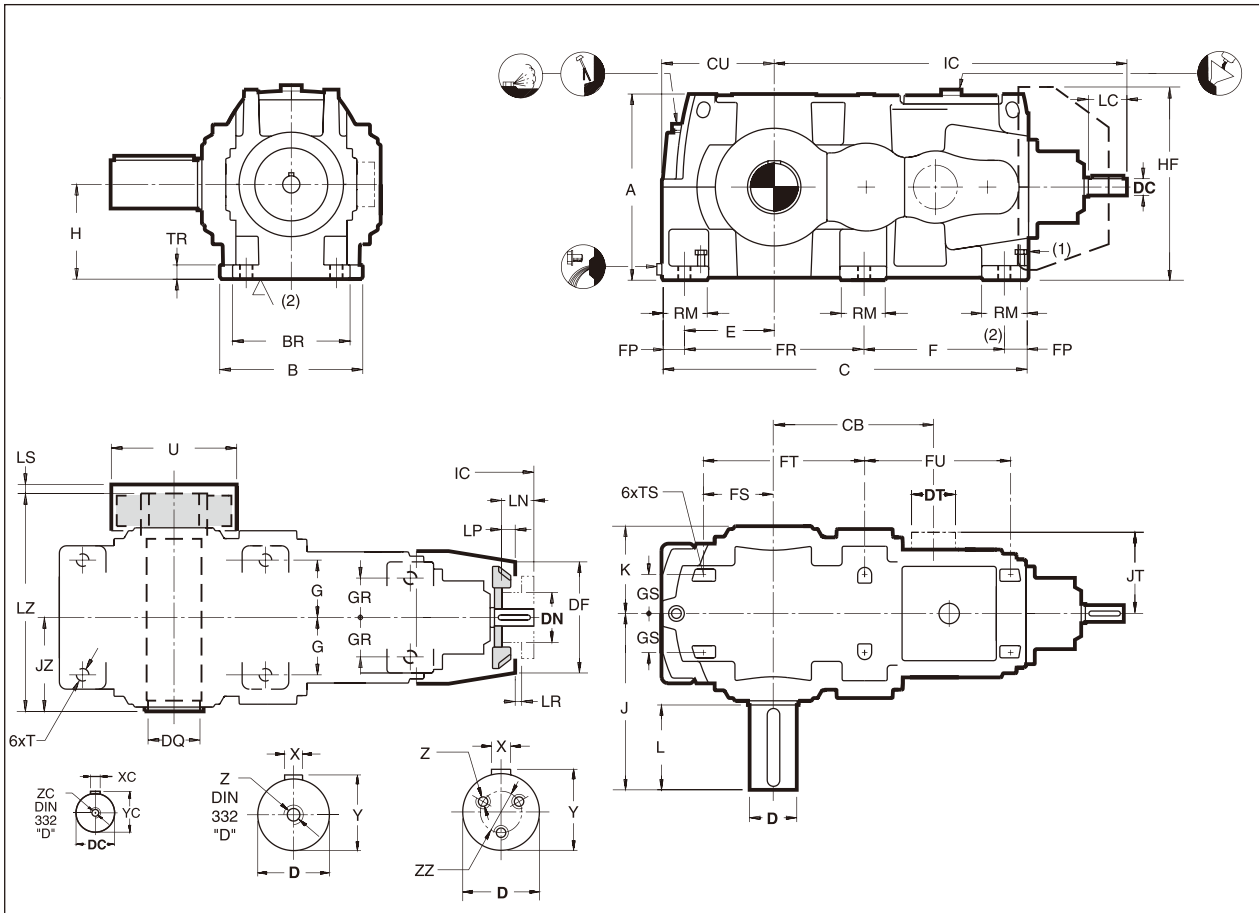
Q
H
R
J ▶ T
3

The user is responsible for the provision of safety guards and correct installation of all equipment.

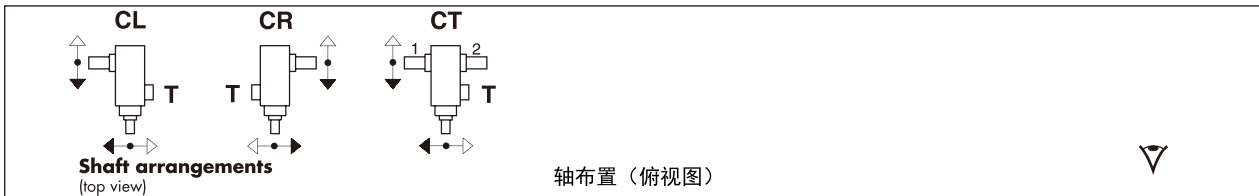
Certified dimensions upon request.

用户应正确安装所有设备并提供安全保护装置

可按要求提供详细尺寸



1 = standard shaft extension
2 = additional shaft extension
T = backstop
1=标准轴伸
2=附加轴伸
T=逆止器



(1) 4 x jacking screw
(2) Fixation point for the torque arm of sizes J-K-L-M (see p. B38)
Fixation point for the torque arm of sizes N-P-Q-R-S-T: Refer to us

(1) 4x起升螺栓
(2) 用于J-K-L-M力矩臂的安装点(见B38页)
用于N-P-Q-R-S-T力矩臂的安装点: 向汉森传动咨询

Type 型号	A	B	BR	C	CU	E	F	FP	FR	FS	FT	FU	G	GR	GS	H	IC	J	JZ	K	RM	T	TR	TS	kg	Litres 公升
QHRJ3	910	640	500	1565	490	365	593	95	782	293	710	600	270	200	190	450	1536	735	370	364	190	42	60	M24	2700	166
QHRK3	910	640	500	1693	540	415	593	95	910	343	838	600	270	200	190	450	1614	800	375	369	190	42	60	M24	3200	180
QHRL3	1130	770	580	1840	575	430	673	115	937	350	860	690	330	235	225	560	1748	860	440	455	230	48	70	M24	4300	295
QHRM3	1130	770	580	2013	650	505	673	115	1110	425	1033	690	330	235	225	560	1846	920	440	455	230	48	70	M24	5100	330
QHRN3	1410	850	680	2127	650	490	790	130	1077	395	1070	710	365	280	247,5	700	2029	960	485	490	260	56	70	M30	7400	530
QHRP3	1410	850	680	2253	710	550	790	130	1203	455	1196	710	365	280	247,5	700	2095	1020	485	510	260	56	70	M30	8100	565
QHRQ3	1410	850	680	2464	800	640	790	130	1414	545	1407	710	365	280	247,5	700	2216	1060	485	510	260	56	70	M30	9400	600
QHRR3	1550	990	810	2525	770	590	930	150	1295	490	1320	820	425	335	315	770	2447	1160	555	565	300	66	80	M30	11600	800
QHRS3	1550	990	810	2671	840	660	930	150	1441	560	1466	820	425	335	315	770	2523	1230	555	585	300	66	80	M30	12800	860
QHRT3	1550	990	810	2776	870	690	930	150	1546	590	1571	820	425	335	315	770	2598	1230	555	585	300	66	80	M30	14000	920

Type 型号	Shafts Keys 轴键													Fan 风扇						Backstop 逆止器					
	Solid 实心						Hollow 空心							ISO/R773-1969						Fan 风扇			Backstop 逆止器		
	D-m6	L	X	Y	Z	ZZ	DQ	LS	LZ	U-max	DC-m6	LC	XC	YC	ZC	DF	DN max	LN	LP	LR min	HF	CB	DT	JT	
QHRJ3	210	350	50	221	M30	-	230	40	907	480	75	210	20	79,5	M20	600	280	185	10	40	932	716	245	392	
QHRK3	230	410	50	241	M30	-	260	40	927	540	75	210	20	79,5	M20	600	280	185	10	40	932	794	245	392	
QHRL3	250	410	56	262	M30	-	280	40	1072	595	100	210	28	106	M24	600	280	185	10	40	1156	848	260	495	
QHRM3	270	470	63	282	3 x M24	140	300	40	1079	615	100	210	28	106	M24	600	280	185	10	40	1156	946	260	495	
QHRN3	300	470	70	314	3 x M24	140	330	50	1171	675	120	210	32	127	M24	600	280	185	10	40	1440	1004	295	548	
QHRP3	320	510	70	334	3 x M24	140	350	50	1191	715	120	210	32	127	M24	600	280	185	10	40	1440	1070	295	548	
QHRQ3	340	550	80	355	3 x M24	250	370	50	1199	765	120	210	32	127	M24	600	280	185	10	40	1440	1191	295	548	
QHRR3	360	600	80	375	3 x M24	250	400	50	1358	830	140	250	36	148	M30	530	280	225	100	40	1580	1212	332	642	
QHRS3	380	650	80	395	3 x M24	250	420	50	1360	880	140	250	36	148	M30	530	280	225	100	40	1580	1288	332	642	
QHRT3	400	650	90	417	3 x M24	250	440	50	1385	940	140	250	36	148	M30	530	280	225	100	40	1580	1363	332	642	

Hansen P4

97QU-HR4000043 A

mm

Gear unit	减速机
Horizontal low speed shaft	水平低速轴
Right-angle shafts	正交轴
Size	规格
Four stages	四级

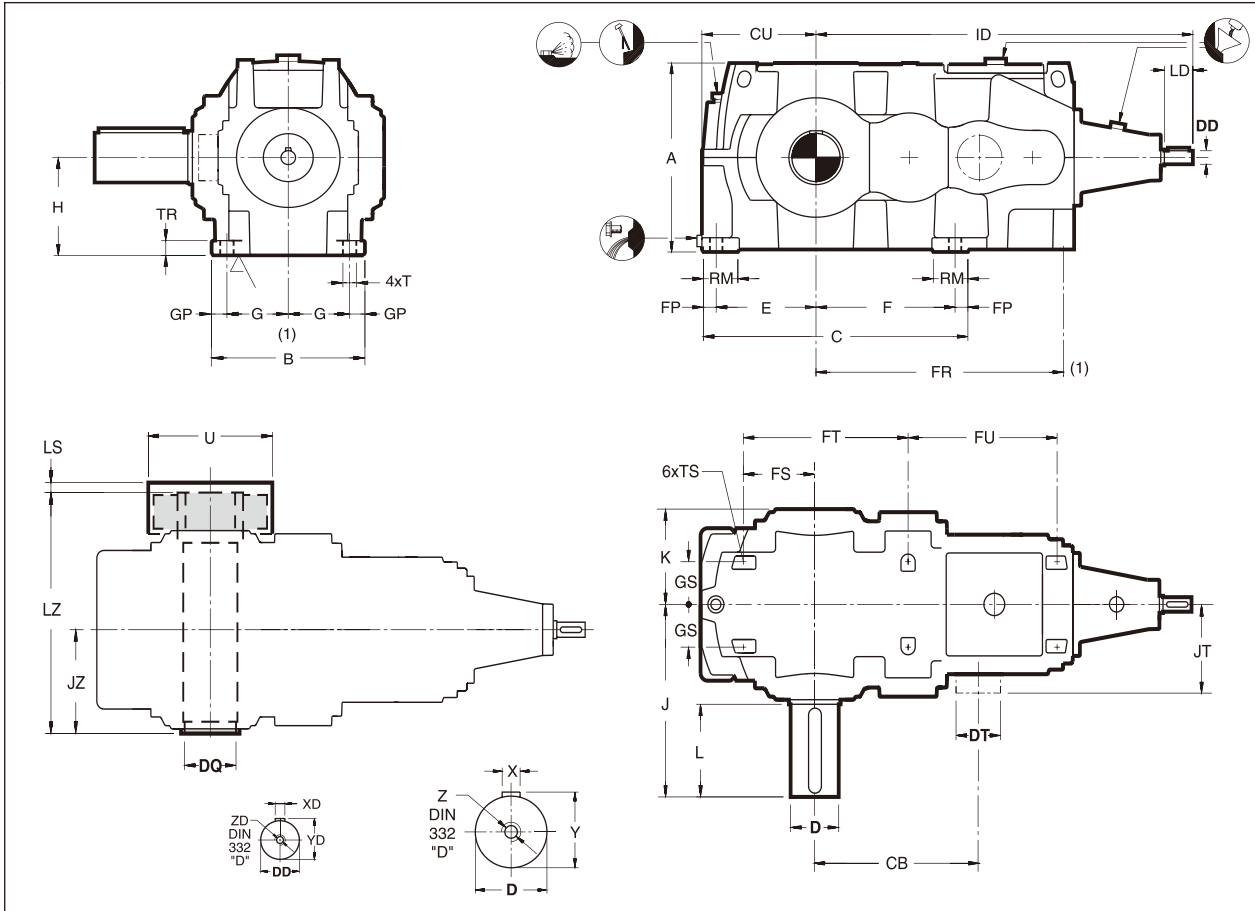
Q
H
R
D ▶ H
4

The user is responsible for the provision of safety guards and correct installation of all equipment.

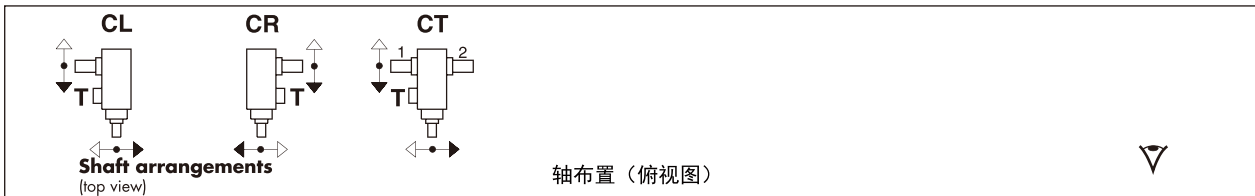
Certified dimensions upon request.

用户应正确安装所有设备并提供安全保护装置

可按要求提供详细尺寸



1 = standard shaft extension
 2 = additional shaft extension
 T = backstop
 1=标准轴伸
 2=附加轴伸
 T=逆止器



(1) Fixation point for the torque arm (see p. B38)

(1) 用于力矩臂的固定点 (见 B38页)

Type 型号	A	B	C	CU	E	F	FP	FR	FS	FT	FU	G	GP	GS	H	ID	J	K	JZ	RM	T	TR	TS	kg	Litres 公升
QHRD4	450	350	660	280	245	345	35	610	180	385	390	140	35	100	225	1043	435	210	220	95	28	35	M16	530	25
QHRE4	530	400	750	320	280	390	40	695	200	462	418	160	40	112	265	1127	505	237	245	105	35	40	M16	810	41
QHRF4	610	460	855	360	315	450	45	795	220	500	495	185	45	130	305	1291	540	273	275	115	35	45	M20	1200	67
QHRR4	760	550	965	400	350	515	50	918	240	565	565	225	50	160	375	1415	635	313	315	130	42	60	M20	1600	110
QHRH4	760	550	1087	450	400	587	50	990	290	687	565	225	50	160	375	1487	685	313	320	130	42	60	M20	2300	120

Type 型号	Shafts Keys 轴键										ISO/R773-1969					Backstop 逆止器		
	Solid 实心					Hollow					DD-k6	LD	XD	YD	ZD	CB	DT	JT
	D-m6	L	X	Y	Z	DQ	LS	LZ	U max									
QHRD4	115	210	32	122	M24	130	30	531	310	35	150	10	38	M12	397	152	252	
QHRE4	135	250	36	143	M30	150	30	603	340	35	150	10	38	M12	459	175	304	
QHRF4	155	250	40	164	M30	170	30	688	390	45	180	14	48,5	M16	525	188	333	
QHRR4	180	300	45	190	M30	190	30	772	425	50	180	14	53,5	M16	603	214	361	
QHRH4	190	350	45	200	M30	210	40	794	450	50	180	14	53,5	M16	675	214	361	

Hansen P4

97QU-HR4000143 A

mm

Gear unit	减速机
Horizontal low speed shaft	水平低速轴
Right-angle shafts	正交轴
Size	规格
Four stages	四级

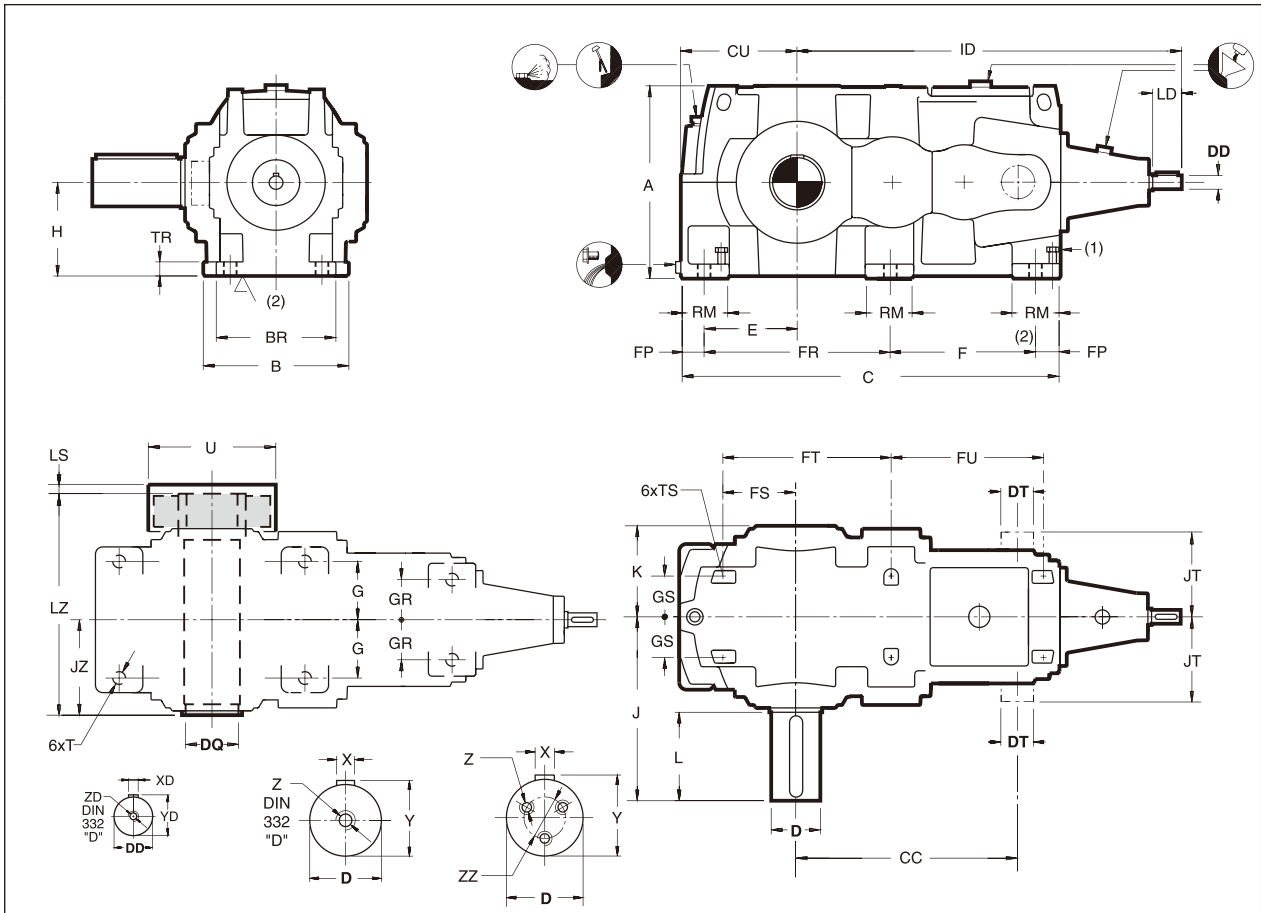
Q
H
R
J ▶ T
4

The user is responsible for the provision of safety guards and correct installation of all equipment.

Certified dimensions upon request.

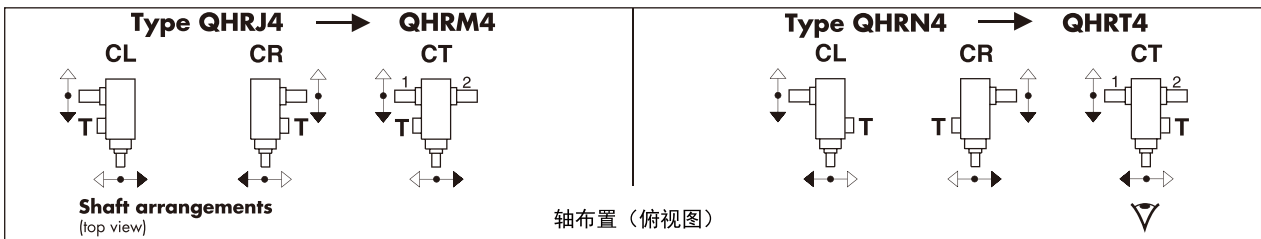
用户应正确安装所有设备并提供安全保护装置

可按要求提供详细尺寸



1 = standard shaft extension
2 = additional shaft extension
T = backstop

1=标准轴伸
2=附加轴伸
T=逆止器



Shaft arrangements (top view)

轴布置 (俯视图)

(1) 4 x jacking screw
(2) Fixation point for the torque arm of sizes J-K-L-M (see p. B38)
Fixation point for the torque arm of sizes N-P-Q-R-S-T: Refer to us

(1) 4x起升螺栓
(2) 用于J-K-L-M力矩臂的安装点(见B38页)
用于N-P-Q-R-S-T力矩臂的安装点: 向汉森传动咨询

Type 型号	A	B	BR	C	CU	E	F	FP	FR	FS	FT	FU	G	GR	GS	H	ID	J	K	JZ	RM	T	TR	TS	kg	Litres 公升
QHRJ4	910	640	500	1565	490	365	593	95	782	293	710	600	270	200	190	450	1632	735	364	370	190	42	60	M24	2800	175
QHRK4	910	640	500	1693	540	415	593	95	910	343	838	600	270	200	190	450	1710	800	369	375	190	42	60	M24	3200	190
QHRL4	1130	770	580	1840	575	430	673	115	937	350	860	690	330	235	225	560	1860	860	455	440	230	48	70	M24	4400	300
QHRM4	1130	770	580	2013	650	505	673	115	1110	425	1033	690	330	235	225	560	1958	920	455	440	230	48	70	M24	5200	335
QHRN4	1410	850	680	2127	650	490	790	130	1077	395	1070	710	365	280	247,5	700	2123	960	490	485	260	56	70	M30	7400	550
QHRR4	1410	850	680	2253	710	550	790	130	1203	455	1196	710	365	280	247,5	700	2189	1020	510	485	260	56	70	M30	8100	590
QHRQ4	1410	850	680	2464	800	640	790	130	1414	545	1407	710	365	280	247,5	700	2310	1060	510	485	260	56	70	M30	9400	630
QHRS4	1550	990	810	2525	770	590	930	150	1295	490	1320	820	425	335	315	770	2453	1160	565	555	300	66	80	M30	11600	825
QHRT4	1550	990	810	2671	840	660	930	150	1441	560	1466	820	425	335	315	770	2529	1230	585	555	300	66	80	M30	12800	890
QHRT4	1550	990	810	2776	870	690	930	150	1546	590	1571	820	425	335	315	770	2604	1230	585	555	300	66	80	M30	14000	950

Type 型号	Shafts Keys 轴键										ISO/R773-1969					Backstop 逆止器		
	Solid 实心					Hollow 空心					DD-m6	LD	XD	YD	ZD	CC	DT	JT
	D-m6	L	X	Y	Z	ZZ	DQ	LS	LZ	U max								
QHRJ4	210	350	50	221	M30	-	230	40	907	480	60	210	18	64	M20	942	188	390
QHRK4	230	410	50	241	M30	-	260	40	927	540	60	210	18	64	M20	1020	188	390
QHRL4	250	410	56	262	M30	-	280	40	1072	595	65	210	18	69	M20	1110	214	434
QHRM4	270	470	63	282	3 x M24	140	300	40	1079	615	65	210	18	69	M20	1208	214	434
QHRN4	300	470	70	314	3 x M24	140	330	50	1171	675	75	210	20	79,5	M20	1303	245	490
QHRR4	320	510	70	334	3 x M24	140	350	50	1191	715	75	210	20	79,5	M20	1369	245	490
QHRQ4	340	550	80	355	3 x M24	250	370	50	1199	765	75	210	20	79,5	M20	1490	245	490
QHRS4	360	600	80	375	3 x M24	250	400	50	1358	830	100	210	28	106	M24	1553	260	610
QHRS4	380	650	80	395	3 x M24	250	420	50	1360	880	100	210	28	106	M24	1629	260	610
QHRT4	400	650	90	417	3 x M24	250	440	50	1385	940	100	210	28	106	M24	1704	260	610

Hansen P4

97QU-HR30K0013 B

mm

Motor-reducer	电机-减速机
Horizontal low speed shaft	水平低速轴
Right-angle shafts	正交轴
Size	规格
Three stages	三级
Option lantern housing	选用电机法兰式连接

Q
H
R
C ▶ H
3

The user is responsible for the provision of safety guards and correct installation of all equipment.

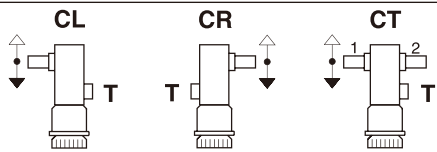
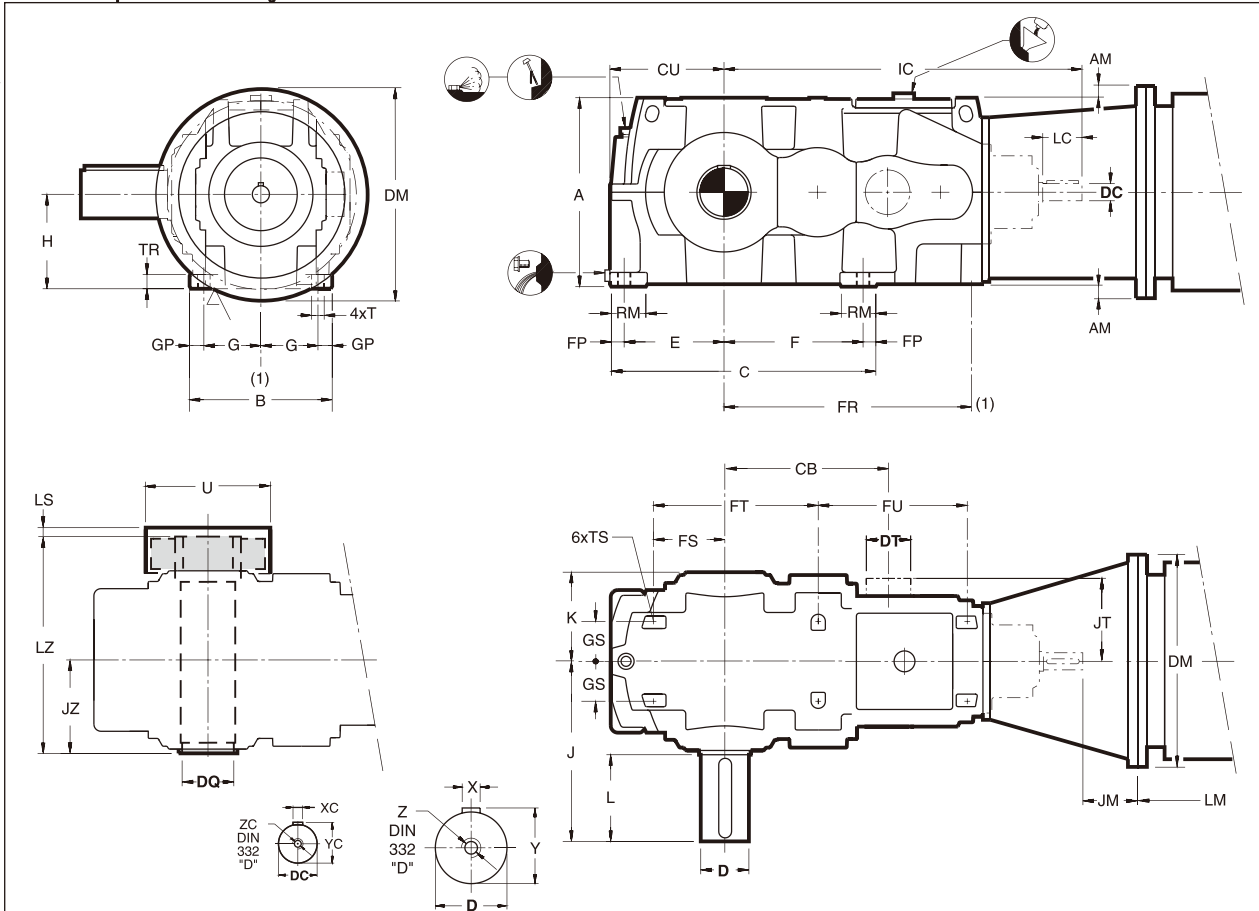
Certified dimensions upon request.

用户应正确安装所有设备并提供安全保护装置

可按要求提供详细尺寸

1 = standard shaft extension
2 = additional shaft extension
T = backstop

1=标准轴伸
2=附加轴伸
T=逆止器



Shaft arrangements (top view)

轴布置 (俯视图)

- (1) Fixation point for the torque arm (see p. B38)
- (2) Max. dimensions depending on motor execution and motor power
- (3) To be specified separately
- (4) Without motor

Type 型号	A	B	C	CU	E	F	FP	FR	FS	FT	FU	G	GP	GS	H	IC	J	JZ	K	RM	T	TR	TS	kg (4)	Litres 公升
QHRC3	400	310	585	245	210	305	35	520	150	325	325	120	35	85	200	865	405	195	187	95	28	32	M16	405	16
QHRD3	450	350	660	280	245	345	35	610	180	385	390	140	35	100	225	992	435	220	210	95	28	35	M16	565	25
QHRE3	530	400	750	320	280	390	40	695	200	462	418	160	40	112	265	1074	505	245	237	105	35	40	M16	835	38
QHRF3	610	460	855	360	315	450	45	795	220	500	495	185	45	130	305	1215	540	275	273	115	35	45	M20	1195	61
QHRG3	760	550	965	400	350	515	50	918	240	565	565	225	50	160	375	1353	635	315	313	130	42	60	M20	1700	102
QHRH3	760	550	1087	450	400	587	50	990	290	687	565	225	50	160	375	1425	685	320	313	130	42	60	M20	2380	110

- (1) 用于力矩臂的固定点 (见 B38页)
- (2) 最大的尺寸根据电机功率及型号而定
- (3) 另行确定
- (4) 不带电机

Type 型号	Shafts Keys 轴键										ISO/R773-1969					Backstop 逆止器		
	Solid 实心					Hollow 空心					DC	LC	XC	YC	ZC	CB	DT	JT
	D-m6	L	X	Y	Z	DQ	LS	LZ	U max									
QHRC3	105	210	28	111	M24	115	30	474	250	35k6	150	10	38	M12	345	132	233	
QHRD3	115	210	32	122	M24	130	30	531	310	45k6	180	14	48,5	M16	397	152	252	
QHRE3	135	250	36	143	M30	150	30	603	340	50k6	180	14	53,5	M16	459	175	304	
QHRF3	155	250	40	164	M30	170	30	688	390	60m6	210	18	64	M20	525	188	333	
QHRG3	180	300	45	190	M30	190	30	772	425	65m6	210	18	69	M20	603	214	361	
QHRH3	190	350	45	200	M30	210	40	794	450	65m6	210	18	69	M20	675	214	361	

MOTOR 电机			Hansen P4												Coupling 联轴器 (3)
IEC V1	DM	LM (2)	QHRC3		QHRD3		QHRE3		QHRF3		QHRG3		QHRH3		
			AM	JM	AM	JM	AM	JM	AM	JM	AM	JM	AM	JM	
160	350		-25	115	-50	115	-90	115							
180	350		-25	115	-50	115	-90	115							
200	400		0	115	-25	115	-65	115							
225	450		25	145	0	145	-40	145	-80	145					
250	550		75	145	50	145	10	145	-30	145	-100	145	-100	145	
280	550		75	145	50	145	10	145	-30	145	-100	145	-100	145	
315	660				105	175	65	175	25	175	-45	175	-45	175	

Hansen P4

97QU-HR40K0013 B

mm

Motor-reducer	电机-减速机
Horizontal low speed shaft	水平低速轴
Right-angle shafts	正交轴
Size	规格
Four stages	四级
Option lantern housing	选用电机法兰式连接

Q
H
R
D ▶ H
4

The user is responsible for the provision of safety guards and correct installation of all equipment.

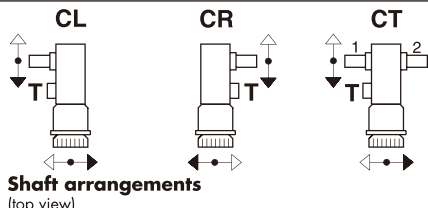
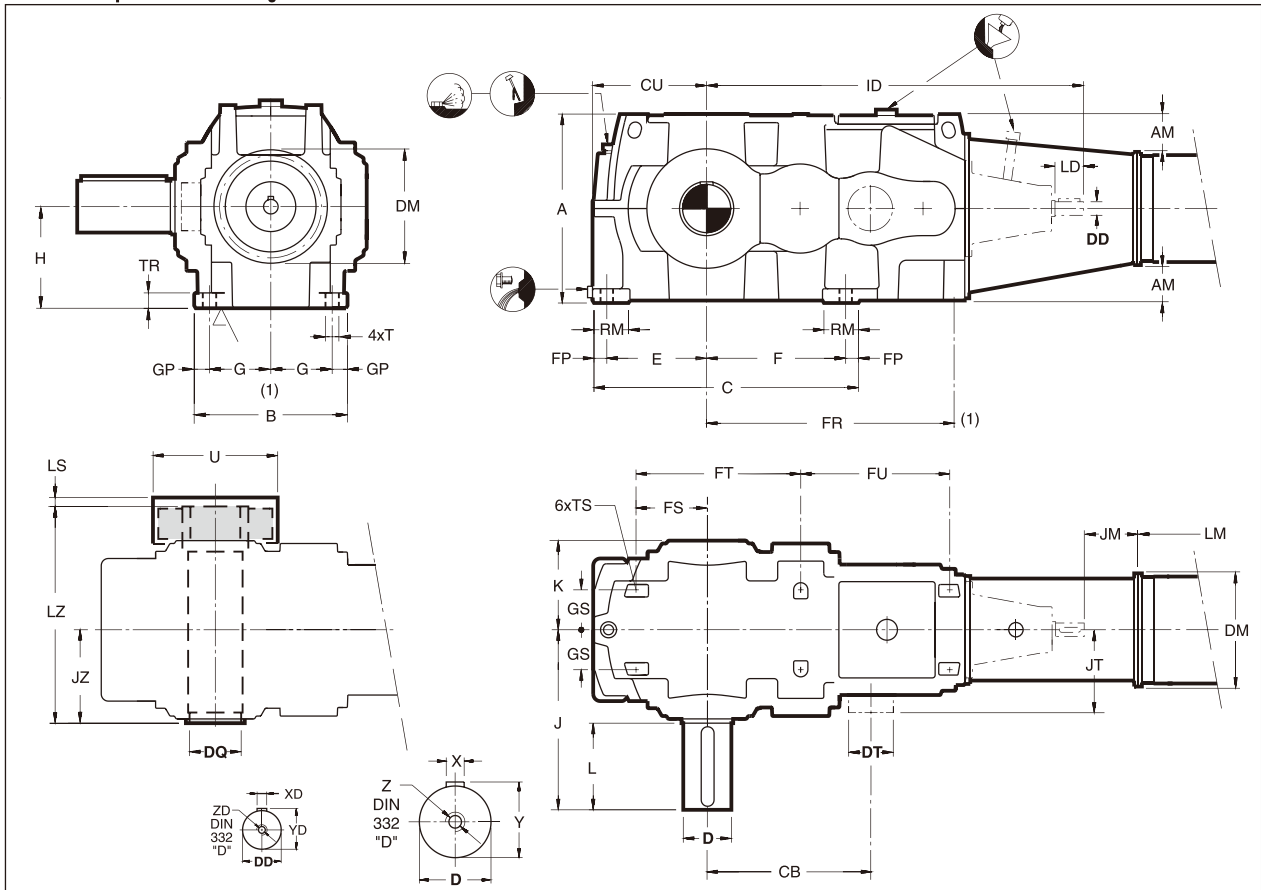
Certified dimensions upon request.

用户应正确安装所有设备并提供安全保护装置

可按要求提供详细尺寸

1 = standard shaft extension
2 = additional shaft extension
T = backstop

1=标准轴伸
2=附加轴伸
T=逆止器



Shaft arrangements (top view)

轴布置 (俯视图)

(1) Fixation point for the torque arm (see p. B38)
(2) Max. dimensions depending on motor execution and motor power
(3) To be specified separately
(4) Without motor

Type 型号	A	B	C	CU	E	F	FP	FR	FS	FT	FU	G	GP	GS	H	ID	J	K	JZ	RM	T	TR	TS	kg (4)	Litres 公升
QHRD4	450	350	660	280	245	345	35	610	180	385	390	140	35	100	225	1043	435	210	220	95	28	35	M16	570	25
QHRE4	530	400	750	320	280	390	40	695	200	462	418	160	40	112	265	1127	505	237	245	105	35	40	M16	860	41
QHRF4	610	460	855	360	315	450	45	795	220	500	495	185	45	130	305	1291	540	273	275	115	35	45	M20	1270	67
QHRG4	760	550	965	400	350	515	50	918	240	565	565	225	50	160	375	1415	635	313	315	130	42	60	M20	1700	110
QHRH4	760	550	1087	450	400	587	50	990	290	687	565	225	50	160	375	1487	685	313	320	130	42	60	M20	2420	120

(1) 用于力矩臂的固定点 (见 B38页)
(2) 最大的尺寸根据电机功率及型号而定
(3) 另行确定
(4) 不带电机

Type 型号	Shafts Keys		轴键												Backstop 逆止器			
	Solid 实心					Hollow 空心							ISO/R773-1969					
	D-m6	L	X	Y	Z	DQ	LS	LZ	U max	DD-k6	LD	XD	YD	ZD	CB	DT	JT	
QHRD4	115	210	32	122	M24	130	30	531	310	35	150	10	38	M12	397	152	252	
QHRE4	135	250	36	143	M30	150	30	603	340	35	150	10	38	M12	459	175	304	
QHRF4	155	250	40	164	M30	170	30	688	390	45	180	14	48,5	M16	525	188	333	
QHRG4	180	300	45	190	M30	190	30	772	425	50	180	14	53,5	M16	603	214	361	
QHRH4	190	350	45	200	M30	210	40	794	450	50	180	14	53,5	M16	675	214	361	

MOTOR 电机			Hansen P4										Coupling 联轴器 (3)	
IEC V1	DM	LM (2)	QHRD4		QHRE4		QHRF4		QHRG4		QHRH4			
			AM	JM	AM	JM	AM	JM	AM	JM				
100	250		100	64										
112	250		100	64										
132	300		75	84	115	84	155	84						
160	350		50	115	90	115	130	115	200	115	200	115		
180	350		50	115	90	115	130	115	200	115	200	115		
200	400		25	115	65	115	105	115	175	115	175	115		
225	450		0	145	40	145	80	145	150	145	150	145		
250	550				-10	145	30	145	100	145	100	145		
280	550						30	145	100	145	100	145		
315	660								45	175	45	175		

Hansen P4

97QU-HX0000013 A

mm

Gear unit	减速机			Q
Horizontal low speed shaft	水平低速轴			H
Parallel/right-angle shafts	平行轴/正交轴			P / R
Size	规格			A ▶ T
Gear sets	级数			2 ▶ 4

Available space for removal of dipstick and magnetic plug

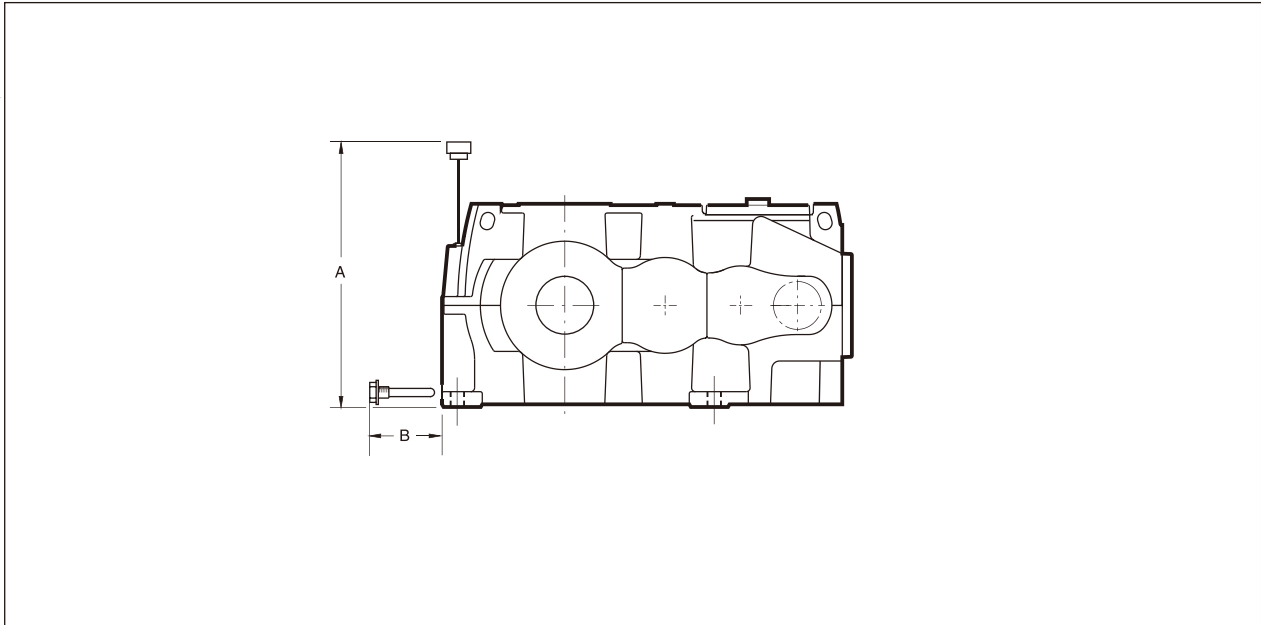
供油尺和磁性塞装卸的适当空间

The user is responsible for the provision of safety guards and correct installation of all equipment.

Certified dimensions upon request.

用户应正确安装所有设备并提供安全保护装置

可按要求提供详细尺寸



Size	规格	A			B
		QH..2	QH..3	QH..4	
A		435	-	-	-
B		485	-	-	-
C		530	530	-	-
D		625	615	595	-
E		755	755	725	-
F		865	850	825	165
G		1025	1025	985	105
H		1045	1045	985	105
J		1200	1195	1150	115
K		1215	1195	1150	115
L		1465	1440	1405	235
M		1475	1440	1405	235
N		1800	1790	1735	245
P		1815	1790	1735	245
Q		1825	1790	1735	245
R		-	1985	1900	245
S		-	1985	1900	245
T		-	1985	1900	245

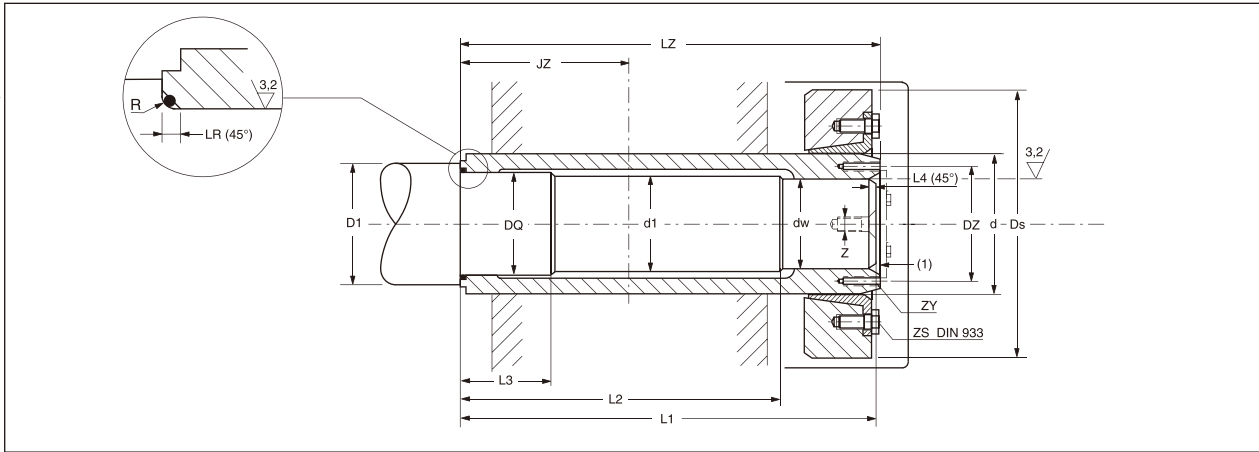
Hansen P4	Gear unit	减速机			Q H P / R A ▶ T 2 ▶ 4
	Horizontal low speed shaft	水平低速轴			
	Parallel/right-angle shafts	平行轴/正交轴			
	Size	规格			
	Gear sets	级数			
mm	Hollow low speed shaft	空心低速轴			D
	Shrink disc connection	收缩盘连接			

Machine shaft dimensions

轴加工尺寸

The user is responsible for the provision of safety guards and correct installation of all equipment.
 Certified dimensions upon request.

用户应正确安装所有设备并提供安全保护装置
 可按要求提供详细尺寸



Type 型号	Shrink disc 收缩盘			Hollow shaft 空心轴					Machine shaft (3) 负载轴									
	d	Ds	ZS	JZ	LZ	LR	ZY	DZ	dw	d1	DQ h7	D1 min	L1	L2	L3	L4	R	Z (2)
QH.A.	110	185	M12	162	398	6	4xM6	98	84h6	85	86	101	395	333	57	3	5	M20
QH.B.	125	215	M12	178	434	6	4xM6	113	100h6	101	102	117	431	366	60	3	5	M24
QH.C.	140	230	M14	195	474	6	6xM6	127	113h6	114	115	130	471	401	65	3	5	M24
QH.D.	165	290	M16	220	531	6	4xM8	145	128h6	129	130	145	528	448	75	3	5	M24
QH.E.	185	320	M16	245	603	6	4xM10	166	148h6	149	150	165	599	504	90	4	5	M30
QH.F.	220	370	M20	275	688	6	4xM12	195	168g6	169	170	185	684	566	113	4	5	M30
QH.G.	240	405	M20	315	772	6	6xM12	210	185g6	188	190	205	768	650	113	4	5	M30
QH.H.	260	430	M20	320	794	7	6xM12	230	205g6	208	210	230	789	662	122	5	6	M36
QH.J.	280	460	M20	370	907	7	6xM12	250	225g6	228	230	250	902	760	137	5	6	M36
QH.K.	320	520	M24	375	927	7	6xM16	285	255g6	258	260	280	922	770	147	5	6	M36
QH.L.	340	570	M24	440	1072	7	6xM16	305	275g6	278	280	300	1067	905	157	5	6	M36
QH.M.	360	590	M24	440	1079	7	6xM16	325	295g6	298	300	320	1074	907	162	5	6	M36
QH.N.	390	650	M27	485	1171	9	6xM16	355	325g6	328	330	355	1166	987	174	5	8	M42
QH.P.	420	690	M27	485	1191	9	6xM20	380	345g6	348	350	375	1186	987	194	5	8	M42
QH.Q.	440	740	M27	485	1199	9	6xM20	400	365g6	368	370	395	1194	985	204	5	8	M42
QH.R.	480	800	M30	555	1358	9	6xM20	435	395g6	398	400	425	1353	1124	224	5	8	M42
QH.S.	500	850	M30	555	1360	9	6xM20	455	415g6	418	420	445	1355	1126	224	5	8	M42
QH.T.	530	910	M30	555	1385	9	6xM24	480	435g6	438	440	465	1380	1126	249	5	8	M42

(1) If a thrust load occurs, which is not taken up by the shoulder on the machine shaft, a thrust washer would need to be provided.

(2) M20, M24 as per DIN 332 - "Form D"

(3) Minimum yield strength of machine shaft:
 Re ≥ 330 N/mm²

(1) 当推力负荷不是由负载轴承受时，则需提供推力垫片。

(2) M20, M24, 符合DIN332-“D型”标准。

(3) 空心轴的屈服强度: Re ≥ 330 N/mm²。



Hansen P4

97QU-H00K00013 A

mm

Gear unit	减速机			Q
Horizontal low speed shaft	水平低速轴			H
Parallel/right-angle shafts	平行轴/正交轴			P / R
Size	规格			A ▶ T
Gear sets	级数			2 ▶ 4

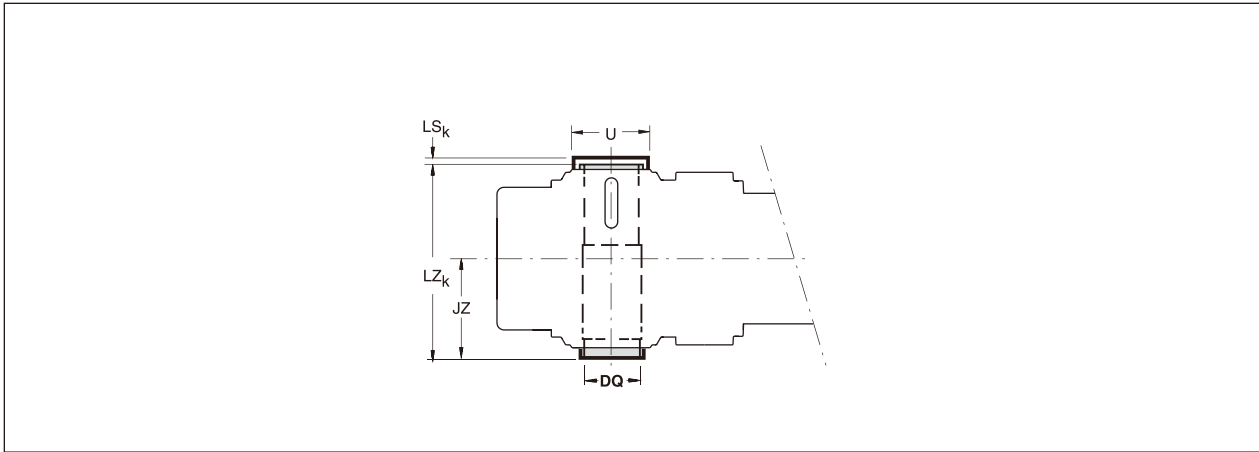
Hollow low speed shaft	空心低速轴	K
Keyed connection	平键连接	

The user is responsible for the provision of **safety guards** and correct installation of all equipment.

Certified dimensions upon request.

用户应正确安装所有设备并提供安全保护装置

可按要求提供详细尺寸



Type 型号	DQ	LS _k	LZ _k	JZ	U
QH.A.	86	35	324	162	125
QH.B.	102	40	356	178	150
QH.C.	115	40	390	195	160
QH.D.	130	40	440	220	190
QH.E.	150	40	490	245	205
QH.F.	170	40	550	275	240
QH.G.	190	50	630	315	270
QH.H.	210	55	640	320	300
QH.J.	230	55	740	370	333
QH.K.	260	55	750	375	375
QH.L.	280	65	880	440	385
QH.M.	300	65	935	440	405
QH.N.	330	65	995	485	445
QH.P.	350	65	1040	485	465
QH.Q.	370	65	1055	485	485
QH.R.	400	65	1180	555	525
QH.S.	420	65	1180	555	545
QH.T.	440	65	1245	555	575

Hansen P4

97QU-H000C0033 A

mm

Gear unit	减速机				Q
Horizontal low speed shaft	水平低速轴				H
Parallel/right-angle shafts	平行轴/正交轴				P/R
Size	规格				A ▶ T
Gear sets	级数				2 ▶ 4

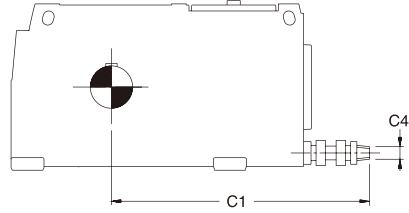
Cooling coil 冷却盘管

The user is responsible for the provision of safety guards and correct installation of all equipment.

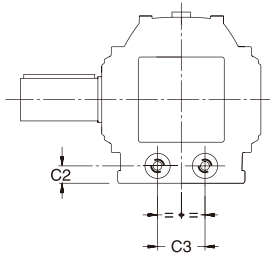
Certified dimensions upon request.

用户应正确安装所有设备并提供安全保护装置

可按要求提供详细尺寸



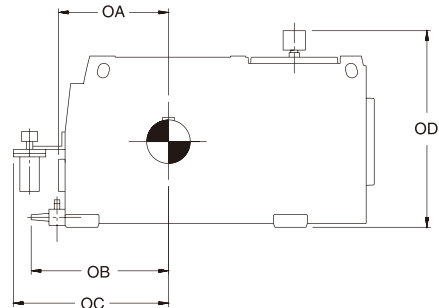
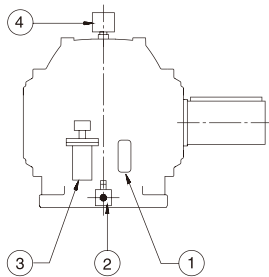
Type 型号	Size 规格											
QH..2	A	B	C	D	E	F	G	H	J	K	L	M
C1	440	510	560	625	710	790	895	965	1030	1110	1245	1345
C2	30	35	47	52	56	59	66	66	80	80	95	95
C3	70	70	80	80	80	100	130	130	130	130	130	130
C4	R 1/2"											R 1"



Type 型号	Size 规格												
QH..3	C	D	E	F	G	H	J	K	L	M	N	P	Q
C1	640	735	820	925	1050	1120	1210	1285	1450	1535	1665	1735	1855
C2	47	53	56	59	66	66	70	70	85	85	99	99	99
C3	42	50	70	80	80	80	130	130	130	130	168	168	168
C4	R 1/2"						R 1"						

Options

可选组件



Type	QH..2 / QH..3 / QH..4	Size 规格																	
Position 位置		A	B	C	D	E	F	G	H	J	K	L	M	N	P	Q	R	S	T
Oil sight glass 液面计 ①	OA	250	260	275	310	350	390	430	480	520	570	605	680	680	740	830	800	870	900
Drain cock 排放阀 ②	OB	300	310	325	370	410	470	510	560	620	670	705	780	805	865	955	925	995	1025
Oil level switch 油位开关 ③	OC	340	350	365	400	440	480	520	570	610	660	695	770	770	830	920	890	960	990
Dust-proof breather plug 防尘呼吸阀 ④	OD	405	445	495	545	625	705	845	845	995	995	1215	1215	1520	1520	1660	1660	1660	

The above mounting positions and dimensions are standard for gear units equipped with one single accessory. They may vary for units equipped with several accessories.

安装有单个附件的减速机，上述安装位置及尺寸是标准的。当装有若干附件时，上述参数会随之变动。

Hansen P4 97QU-H000W0033 B mm	Gear unit	减速机			Q
	Horizontal low speed shaft	水平低速轴			H
	Parallel/right-angle shafts	平行轴/正交轴			P / R
	Size	规格			A ▶ T
	Gear sets	级数			2 ▶ 4

The user is responsible for the provision of safety guards and correct installation of all equipment.

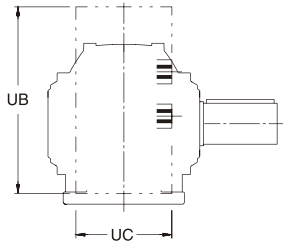
Certified dimensions upon request.

用户应正确安装所有设备并提供安全保护装置

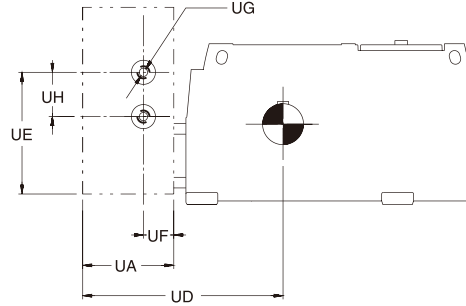
可按要求提供详细尺寸

Cooling systems 冷却系统

Gear unit type
QH .. 2 / QH .. 3 / QH .. 4



减速机型号
QH .. 2 / QH .. 3 / QH .. 4



Oil - to - water cooler 油-水冷却器

#	UA	UB	UC	UE	UF	UG	UH
1	400	850	600	400	100	R3/4"	55
2	420	850	600	400	110	R3/4"	55
3	430	850	800	420	110	R3/4"	55
4	430	850	830	420	110	R3/4"	55

Dimension UD 尺寸 UD

#	A	B	C	D	E	F	G	H	J	K	L	M	N	P	Q	R	S	T
1	-	-	(1)	805	845	885	925	975	1015	1065	1100	1175	1175	1235	1325	1295	1365	1395
2	-	-	-	-	865	905	945	995	1035	1085	1120	1195	1195	1255	1345	1315	1385	1415
3	-	-	-	-	-	950	990	1040	1080	1130	1165	1240	1240	1300	1390	1360	1430	1460
4	-	-	-	-	-	-	990	1040	1080	1130	1165	1240	1240	1300	1390	1360	1430	1460

(1) Refer to us

Oil - to - air cooler 油-空气冷却器

#	UA	UB	UC
1	480	880	560
2	500	1070	730
3	530	1090	730
4	570	1240	750

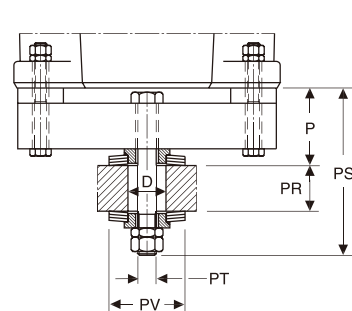
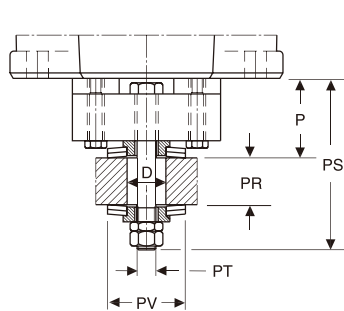
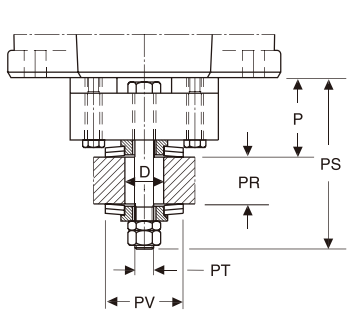
(1) 咨询我们

Dimension UD 尺寸 UD

#	A	B	C	D	E	F	G	H	J	K	L	M	N	P	Q	R	S	T
1	-	-	(1)	885	925	965	1005	1055	1095	1145	1180	1255	1255	1315	1405	1375	1445	1475
2	-	-	-	-	925	965	1005	1055	1095	1145	1180	1255	1255	1315	1405	1375	1445	1475
3	-	-	-	-	-	1090	1130	1180	1220	1270	1305	1380	1380	1440	1530	1500	1570	1600
4	-	-	-	-	-	-	1130	1180	1220	1270	1305	1380	1380	1440	1530	1500	1570	1600



Torque arm 力矩臂



Type 型号	D ±5	P	PR max	PS	PT	PV
QH.A2	35	18	40	103	M16	80
QH.B2	35	25	50	134	M20	80
QH.C2	45	30	60	156	M24	100
QH.D2	45	30	60	156	M24	100
QH.E2	60	42	75	200	M30	125
QH.F2	60	42	75	200	M30	125
QH.G2	60	53	90	260	M36	160
QH.H2	60	53	90	260	M36	160

Type 型号	D ±5	P	PR max	PS	PT	PV
QH.C3	35	99	50	210	M20	80
QH.D3 - QH.D4	45	102	60	220	M24	100
QH.E3 - QH.E4	45	119	60	250	M24	100
QH.F3 - QH.F4	60	138	75	290	M30	125
QH.G3 - QH.G4	60	161	90	350	M36	125
QH.H3 - QH.H4	60	161	90	350	M36	125

Type 型号	D ±5	P	PR max	PS	PT	PV
QH.J3 - QH.J4	80	269	105	505	M42	160
QH.K3 - QH.K4	80	279	105	505	M42	160
QH.L3 - QH.L4	80	320	120	585	M48	180
QH.M3 - QH.M4	80	330	120	605	M48	180

Hansen P4

Gear unit	减速机				<table border="1"> <tr><td>Q</td></tr> <tr><td>V</td></tr> <tr><td>P</td></tr> <tr><td>C ▶ F</td></tr> <tr><td>2</td></tr> </table>	Q	V	P	C ▶ F	2
Q										
V										
P										
C ▶ F										
2										
Vertical low speed shaft	垂直低速轴									
Parallel shafts	平行轴									
Size	规格									
Two stages	二级									

Mechanical power ratings 机械功率 **kW**

i _N	r.p.m.		Size				规格													
	n ₁	n ₂	C	D	E	F														
6,3	1800	285	370	537	945	1395														
	1500	240	326	473	792	1170														
	1200	190	272	404	638	943														
	1000	160	232	344	535	790														
	900	145	211	310	482	713														
	750	120	180	260	404	597														
7,1	1800	255	335	491	818	1221														
	1500	210	295	432	685	1024														
	1200	170	238	358	552	825														
	1000	140	199	300	462	691														
	900	125	180	270	417	624														
	750	105	150	226	349	522														
8	1800	225	321	465	772	1139														
	1500	190	276	410	647	954														
	1200	150	227	332	521	769														
	1000	125	193	278	436	644														
	900	115	176	251	394	581														
	750	94	147	210	329	486														
9	1800	200	286	425	668	996														
	1500	165	240	360	560	835														
	1200	135	193	290	450	672														
	1000	110	161	243	377	563														
	900	100	146	219	340	508														
	750	83	122	183	285	425														
10	1800	180	266	393	606	888														
	1500	150	227	329	507	744														
	1200	120	185	265	408	599														
	1000	100	155	222	342	501														
	900	90	140	200	308	452														
	750	75	117	167	258	378														
11,2	1800	160	228	343	524	777														
	1500	135	191	287	439	651														
	1200	105	153	231	353	523														
	1000	89	128	193	295	438														
	900	80	116	174	267	395														
	750	67	97	146	223	331														
12,5	1800	145	216	313	490	710														
	1500	120	180	262	410	594														
	1200	96	145	210	330	478														
	1000	80	121	176	276	400														
	900	72	109	159	249	361														
	750	60	91	133	208	302														
14	1800	130	179	273	424	621														
	1500	105	150	228	355	520														
	1200	86	120	183	285	418														
	1000	71	100	153	239	350														
	900	64	91	138	215	316														
	750	54	76	116	180	264														
16	1800	115	175	243	382	579														
	1500	94	146	204	319	484														
	1200	75	117	164	257	390														
	1000	63	98	137	215	326														
	900	56	88	123	194	294														
	750	47	74	103	162	246														
18	1800	100	145	212	330	506														
	1500	83	121	177	276	424														
	1200	67	97	142	222	341														
	1000	56	81	119	186	285														
	900	50	73	107	167	257														
	750	42	61	90	140	215														
20	1800	90	137	200	307	465														
	1500	75	114	168	257	389														
	1200	60	92	135	206	313														
	1000	50	77	113	173	262														
	900	45	69	101	156	236														
	750	38	58	85	130	197														
22,4	1800	80	113	175	265	407														
	1500	67	95	146	222	340														
	1200	54	76	117	178	273														
	1000	45	64	98	149	229														
	900	40	57	88	134	206														
	750	33	48	74	112	172														

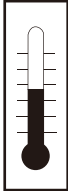
i_N Nominal ratio
n_{1,2} Nominal speed (rpm)

i_N 标称速比
n_{1,2} 标称转速 (rpm)

Hansen P4	Gear unit	减速机			<table border="1"> <tr><td>Q</td></tr> <tr><td>V</td></tr> <tr><td>P</td></tr> <tr><td>C ▶ F</td></tr> <tr><td>2</td></tr> </table>	Q	V	P	C ▶ F	2	Pt
	Q										
	V										
	P										
	C ▶ F										
2											
Vertical low speed shaft	垂直低速轴										
Parallel shafts	平行轴										
Size	规格										
Two stages	二级										

Thermal power ratings 热功率 **kW**

i_N	r.p.m. n_1	Size - 规格															
		C	D	E	F												
6,3 ↓ 9	1800			46	46												
	1500			70	86	69											
	1200			84	110	120	140										
	1000			90	120	140	170										
	900			92	120	145	185										
	750			92	125	150	200										
	P_{fc}^+			200	220	270	300										
10 ↓ 14	1800			67	80	73	71										
	1500			76	96	105	125										
	1200			81	105	125	160										
	1000			82	110	130	170										
	900			81	110	135	170										
	750			78	105	135	180										
	P_{fc}^+			160	180	215	240										
16 ↓ 22,4	1800			65	82	87	105										
	1500			67	89	100	130										
	1200			67	91	110	140										
	1000			66	90	110	150										
	900			64	88	110	150										
	750			62	85	110	150										
	P_{fc}^+			160	180	215	240										



P_{fc}^+ Additional thermal power with cooling coil - see p. A9
To be applied only if basic thermal power ratings are listed.

P_{fc}^+ 带冷却盘管的附加热功率见A21页
仅选用列于表中基本热功率

QVP...
(kW)

i_N Nominal ratio
 $n_{1,2}$ Nominal speed (rpm)

i_N 标称速比
 $n_{1,2}$ 标称转速 (rpm)

Hansen P4

Gear unit	减速机
Vertical low speed shaft	垂直低速轴
Parallel shafts	平行轴
Size	规格
Three stages	三级

Q
V
P
C ▶ T
3

P

Mechanical power ratings

机械功率

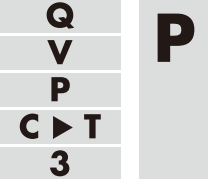
kw

i _N	r.p.m.		Size 规格																
	n ₁	n ₂	C	D	E	F	G	H	J	K	L	M	N	P	Q	R	S	T	
20	1800	90	135	217	355	514	805							3541 *					
	1500	75	115	185	302	428	674							3117					
	1200	60	95	153	241	343	542							2533					
	1000	50	84	131	201	286	453							2116			3322		
	900	45	78	120	181	257	409							1905			3028		
750	38	67	100	151	214	342							1587			2579			
22,4	1800	80	119	197	315	455	702		1140	1501				3321 *	3540 *				
	1500	67	100	169	263	379	588		954	1280				2846	3116		4172 *		
	1200	54	86	139	210	303	472		767	1024				2296	2539		3554		
	1000	45	76	119	175	253	395		642	853				1926	2116		3027	3322	
	900	40	70	108	158	227	356		579	768				1734	1905		2759	3027	
750	33	58	90	131	189	298		484	640				1445	1587		2350	2579		
25	1800	72	110	180	292	414	657	819	1055	1404	1733	2054	3007	3320 *		4348 *			
	1500	60	94	154	243	345	549	683	883	1170	1467	1808	2519	2846		3827	4164 *		
	1200	48	81	128	194	276	441	546	709	936	1174	1492	2020	2296		3188	3547		
	1000	40	71	108	162	230	369	455	593	780	978	1271	1683	1926		2716	3021	3321	
	900	36	64	97	146	207	333	410	535	702	880	1158	1515	1734		2475	2754	3027	
750	30	53	81	121	172	278	341	447	585	734	982	1262	1445		2108	2345	2578		
28	1800	64	100	164	254	366	572	712	928	1214	1598	1927	2722	3016	3538 *	4038 *	4347 *		
	1500	54	85	140	211	305	479	594	777	1011	1333	1674	2283	2525	3114	3535	3826	4164 *	
	1200	43	73	115	169	244	385	475	624	809	1067	1376	1838	2020	2539	2905	3188	3546	
	1000	36	61	96	141	203	322	396	522	674	889	1172	1532	1683	2116	2474	2715	3021	
	900	32	55	87	127	183	290	356	471	607	800	1068	1379	1515	1905	2255	2475	2753	
750	27	46	73	106	153	242	297	393	506	667	892	1149	1262	1587	1921	2108	2345		
31,5	1800	57	92	147	231	328	514	665	859	1109	1377	1732	2436	2722	3318 *	3736	4038 *	4338 *	
	1500	48	81	127	192	273	430	554	718	924	1147	1475	2033	2283	2846	3207	3535	3819	
	1200	38	68	102	154	219	345	443	577	739	918	1212	1626	1838	2296	2635	2905	3182	
	1000	32	57	86	128	182	289	369	483	616	765	1033	1355	1532	1926	2244	2474	2710	
	900	29	51	77	115	164	260	332	435	554	688	931	1220	1379	1734	2046	2255	2470	
750	24	43	64	96	137	217	277	364	462	574	776	1016	1149	1445	1742	1921	2104		
35,5	1800	51	84	134	201	290	448	578	722	983	1251	1597	2209	2439	3014	3430	3735	4030 *	
	1500	42	74	114	167	242	375	482	604	819	1042	1360	1850	2033	2525	2922	3206	3528	
	1200	34	60	92	134	193	301	385	485	656	834	1118	1480	1626	2020	2401	2635	2899	
	1000	28	50	77	112	161	251	321	405	546	695	940	1234	1355	1683	2045	2244	2469	
	900	26	45	69	100	145	227	289	365	492	625	846	1110	1220	1515	1864	2045	2251	
750	21	37	58	84	121	189	241	305	410	521	705	925	1016	1262	1588	1742	1917		
40	1800	45	79	121	180	259	415	518	668	898	1093	1395	1932	2209	2722	3067	3430	3735	
	1500	38	69	101	150	216	347	432	558	749	911	1188	1610	1850	2283	2612	2921	3206	
	1200	30	55	81	120	173	279	345	448	599	729	970	1288	1480	1838	2146	2401	2634	
	1000	25	46	68	100	144	233	288	375	499	607	809	1073	1234	1532	1828	2045	2244	
	900	23	42	61	90	130	210	259	338	449	547	728	966	1110	1379	1666	1864	2045	
750	19	35	51	75	108	175	216	282	374	455	606	805	925	1149	1419	1587	1742		
45	1800	40	72	109	157	229	362	450	576	760	993	1286	1759	1932	2439	2794	3066	3429	
	1500	33	60	91	130	191	302	375	482	634	828	1095	1466	1610	2033	2380	2612	2921	
	1200	27	48	73	104	153	243	300	387	507	662	882	1172	1288	1626	1956	2146	2400	
	1000	22	40	61	87	127	203	250	323	422	552	735	977	1073	1355	1666	1828	2044	
	900	20	36	55	78	115	183	225	291	380	497	661	879	966	1220	1518	1666	1863	
750	17	30	46	65	95	153	188	243	317	414	551	733	805	1016	1290	1419	1587		
50	1800	36	64	97	145	200	323	416	533	695	905	1139	1492	1759	2209	2442	2794	3066	
	1500	30	53	81	121	167	270	347	445	579	754	963	1243	1466	1850	2080	2380	2611	
	1200	24	43	65	97	134	216	278	357	463	603	771	994	1172	1480	1709	1955	2146	
	1000	20	36	54	81	111	181	231	299	386	503	642	829	977	1234	1456	1665	1828	
	900	18	32	49	73	100	163	208	269	347	452	578	746	879	1110	1327	1518	1666	
750	15	27	41	60	83	136	173	225	289	377	482	621	733	925	1108	1293	1419		
56	1800	32	56	86	126	177	281	362	469	604	822	1050	1358	1492	1932	2225	2442	2793	
	1500	27	46	72	105	148	235	302	392	503	685	875	1131	1243	1610	1895	2080	2379	
	1200	22	37	58	84	118	188	241	314	403	548	700	905	994	1288	1557	1709	1955	
	1000	18	31	48	70	98	157	201	263	336	457	583	754	829	1073	1326	1456	1665	
	900	16	28	44	63	89	142	181	237	302	411	525	679	746	966	1197	1327	1518	
750	14	23	36	53	74	118	151	198	252	342	438	566	621	805	1000	1107	1293		
63	1800	29	44	64	99	147	238	322	433	552	710	956	1213	1358	1759	1988	2225	2441	
	1500	24	37	53	83	122	199	268	362	460	592	797	1011	1131	1466	1693	1895	2079	
	1200	19	30	43	66	98	159	215	291	368	473	638	809	905	1172	1391	1557	1709	
	1000	16	25	36	55	82	133	179	243	307	394	531	674	754	977	1169	1326	1455	
	900	15	22	32	50	74	120	161	219	276	355	478	607	679	879	1052	1201	1326	
750	12	18,5	27	42	62	100	134	183	230	296	399	505	566	733	877	1000	1106		
71	1800	26	36	55	86	128	207	280	376	490	645	869	1104</						

Hansen P4

Gear unit
Vertical low speed shaft
Parallel shafts
Size
Three stages

减速机
垂直低速轴
平行轴
规格
三级



Mechanical power ratings

机械功率

kW

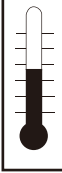
i _N	r.p.m.		Size - 规格																
	n ₁	n ₂	C	D	E	F	G	H	J	K	L	M	N	P	Q	R	S	T	
80	1800	22,5	35	52	78	121	172	254	348	447	518	751	982	1104	1358	1634	1811	1987	
	1500	19	30	43	65	101	144	212	290	373	433	625	819	920	1131	1392	1543	1693	
	1200	15	24	35	52	81	115	170	233	298	347	500	655	736	905	1123	1267	1391	
	1000	12,5	19,8	29	43	67	96	142	195	249	290	417	546	613	754	936	1056	1167	
	900	11,5	17,8	26	39	61	87	128	175	224	261	375	491	552	679	842	950	1051	
	750	9,4	14,9	22	33	51	73	107	146	186	218	313	409	460	566	702	792	876	
90	1800	20	29	45	67	103	152	221	288	391	465	682	894	982	1213	1489	1634	1811	
	1500	16,5	24	38	56	86	127	185	240	326	387	568	745	819	1011	1263	1392	1542	
	1200	13,5	19,6	30	45	69	102	148	192	261	310	455	596	655	809	1014	1122	1266	
	1000	11	16,3	25	37	57	85	124	160	217	258	379	497	546	674	846	935	1055	
	900	10	14,7	23	34	52	77	111	144	196	232	341	447	491	607	761	842	950	
	750	8,3	12,3	18,9	28	43	64	93	120	163	194	284	373	409	505	634	701	791	
100	1800	18	28	42	62	97	135	245	358	406			894	1104		1489	1634		
	1500	15	23	35	52	81	113	204	298	339			745	920		1268	1392		
	1200	12	18,5	28	42	65	90	164	238	272			596	736		1014	1121		
	1000	10	15,4	24	35	54	75	137	199	227			497	613		845	934		
	900	9	13,9	21	31	49	68	123	179	205			447	552		761	841		
	750	7,5	11,6	17,8	26	41	57	102	149	171			373	460		634	701		
112	1800	16	23	37	54	84	119	237		372				982			1489		
	1500	13,5	19,1	31	45	71	99	197		310				819			1267		
	1200	10,5	15,3	25	36	57	80	158		248				655			1013		
	1000	8,9	12,8	21	30	47	67	132		207				546			845		
	900	8	11,5	18,6	27	43	60	118		186				491			760		
	750	6,7	9,6	15,5	23	35	50	99		155				409			633		

Thermal power ratings

热功率

P_t kW

i _N	r.p.m.		Size - 规格																
	n ₁	n ₂	C	D	E	F	G	H	J	K	L	M	N	P	Q	R	S	T	
20 ↓ 31,5	1800		66	85	110	140	200	230	200	180	270	250	270	290	390	400	410	430	
	1500		64	84	110	140	210	230	220	220	300	310	310	360	380	400	410	430	
	1200		62	81	110	140	200	220	230	240	320	340	340	410	430	450	510	540	
	1000		59	78	105	140	200	220	230	250	320	350	350	420	450	470	560	590	
	900		57	76	100	140	200	220	230	250	320	350	350	420	450	480	570	600	
	750		54	72	98	130	190	210	230	250	310	340	340	420	440	480	580	610	
	P _{tc}		67	66	100	115	350	370	370	370	830	830							
35,5 ↓ 56	1800		54	72	95	120	170	200	200	210	270	290	350	370	380	420	440	450	
	1500		52	70	92	120	170	200	200	220	290	310	370	390	430	480	510	530	
	1200		50	67	88	120	170	190	210	230	290	320	370	400	440	500	540	580	
	1000		47	64	85	115	160	190	200	230	290	320	370	400	440	510	550	590	
	900		45	62	82	110	160	180	200	230	290	320	360	390	440	500	540	590	
	750		43	58	78	105	150	175	190	220	280	310	350	380	430	490	530	570	
	P _{tc}		59	57	89	100	300	320	320	320	730	730							
63 ↓ 112	1800		41	59	77	100	135	160	170	190	230	270	310	330	370	400	430	460	
	1500		40	57	75	98	130	160	170	190	240	280	320	340	380	420	450	480	
	1200		37	53	71	95	130	155	170	190	240	280	320	340	370	420	460	480	
	1000		35	51	67	91	125	150	160	180	230	270	310	330	370	420	450	470	
	900		34	49	65	88	120	145	160	180	230	270	310	330	360	410	440	470	
	750		32	46	61	83	115	140	150	170	220	260	300	320	350	400	430	450	
	P _{tc}		59	57	89	100	300	320	320	320	730	730							



QVP...
(kW)

P_{tc} Additional thermal power with cooling coil - see p. A9 To be applied only if basic thermal power ratings are listed.

P_{tc} 带冷却盘管的附加热功率见A21页 仅选用列于表中基本热功率

i_N Nominal ratio
n_{1,2} Nominal speed (rpm)

i_N 标称速比
n_{1,2} 标称转速 (rpm)

Hansen P4

Gear unit	减速机				<div style="display: flex; flex-direction: column; align-items: center;"> <div style="border: 1px solid black; padding: 2px;">Q</div> <div style="border: 1px solid black; padding: 2px;">V</div> <div style="border: 1px solid black; padding: 2px;">P</div> <div style="border: 1px solid black; padding: 2px;">D ▶ Q</div> <div style="border: 1px solid black; padding: 2px;">4</div> </div>
Vertical low speed shaft	垂直低速轴				
Parallel shafts	平行轴				
Size	规格				
Four stages	四级				

Mechanical power ratings 机械功率 kW

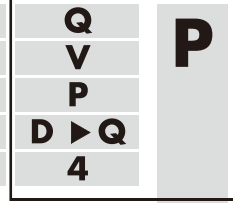
i _N	r.p.m.		Size - 规格																						
	n ₁	n ₂	D	E	F	G	H	J	K	L	M	N	P	Q											
100	1800	18				48	71	102	166	209	270		470	621	739										
	1500	15				40	59	85	139	174	225		392	518	616										
	1200	12				32	47	68	111	140	181		313	414	493										
	1000	10				27	40	57	93	116	151		261	345	410										
	900	9				24	36	51	84	105	136		235	311	369										
	750	7,5				20	30	43	70	87	114		196	259	308										
112	1800	16				43	62	90	144	182	241	311	409	540	682	739									
	1500	13,5				36	52	75	121	152	201	259	341	450	568	616									
	1200	10,5				29	41	60	97	121	162	207	272	360	455	493									
	1000	8,9				24	34	50	81	101	135	173	227	300	379	410									
	900	8				22	31	45	73	91	122	155	204	270	341	369									
	750	6,7				18	26	38	61	76	101	129	170	225	284	308									
125	1800	14,5				39	58	81	132	163	223	275	361	504	617	682									
	1500	12				32	48	67	110	136	186	229	301	420	514	568									
	1200	9,6				26	38	54	88	109	149	183	241	336	411	455									
	1000	8				22	32	45	74	91	125	153	201	280	343	379									
	900	7,2				19,4	29	40	66	82	112	137	181	252	309	341									
	750	6				16,2	24	34	55	68	94	114	151	210	257	284									
140	1800	13				35	50	72	115	142	192	249	328	438	562	617	739								
	1500	10,5				29	42	60	96	118	160	208	274	365	468	514	616								
	1200	8,6				23	33	48	77	95	128	166	219	292	375	411	493								
	1000	7,1				19,3	28	40	64	79	107	139	182	243	312	343	410								
	900	6,4				17,4	25	36	58	71	96	125	164	219	281	309	369								
	750	5,4				14,5	21	30	48	59	80	104	137	183	234	257	308								
160	1800	11,5				25	46	64	103	129	177	228	282	387	477	562	682								
	1500	9,4				21	39	53	86	108	148	190	235	323	398	468	568								
	1200	7,5				16,9	31	43	69	86	119	152	188	258	318	375	455								
	1000	6,3				14,1	26	36	57	72	99	127	156	215	265	312	379								
	900	5,6				12,7	23	32	52	65	89	114	141	194	239	281	341								
	750	4,7				10,6	19,3	27	43	54	74	95	117	161	199	234	284								
180	1800	10				22	40	57	90	112	152	198	256	352	434	477	617								
	1500	8,3				18,3	34	47	75	94	127	165	213	293	362	398	514								
	1200	6,7				14,7	27	38	60	75	102	132	171	235	290	318	411								
	1000	5,6				12,3	22	31	50	62	85	110	142	196	241	265	343								
	900	5				11	20	28	45	56	76	99	128	176	217	239	309								
	750	4,2				9,2	16,8	24	38	47	64	82	107	147	181	199	257								
200	1800	9				20	36	51	83	101	140	181	226	302	379	434	562								
	1500	7,5				17	30	42	69	84	117	150	189	251	316	362	468								
	1200	6				13,6	24	34	56	67	94	120	151	201	253	290	375								
	1000	5				11,3	19,9	28	46	56	78	100	126	168	211	241	312								
	900	4,5				10,2	17,9	25	42	50	71	90	113	151	190	217	281								
	750	3,8				8,5	14,9	21	35	42	59	75	94	126	158	181	234								
224	1800	8				17,7	31	45	72	88	118	156	206	274	345	379	477								
	1500	6,7				14,8	26	37	60	73	98	130	171	228	288	316	398								
	1200	5,4				11,8	21	30	48	58	79	104	137	183	230	253	318								
	1000	4,5				9,9	17,3	25	40	49	66	87	114	152	192	211	265								
	900	4				8,9	15,6	22	36	44	59	78	103	137	173	190	239								
	750	3,3				7,4	13	18,7	30	37	49	65	86	114	144	158	199								
250	1800	7,2				16,7	29	41	65	81	109	143	175	243	307	345	434								
	1500	6				13,9	24	34	54	68	91	119	146	202	256	288	362								
	1200	4,8				11,2	19,1	27	43	54	73	95	117	162	205	230	290								
	1000	4				9,3	15,9	23	36	45	61	79	97	135	171	192	241								
	900	3,6				8,4	14,3	21	33	41	55	71	88	121	154	173	217								
	750	3				7	11,9	17,1	27	34	46	59	73	101	128	144	181								
280	1800	6,4				14,5	25	36	56	71	97	121	159	220	280	307	379								
	1500	5,4				12,1	21	30	47	59	81	101	133	184	233	256	316								
	1200	4,3				9,7	16,6	24	38	47	65	80	106	147	186	205	253								
	1000	3,6				8,1	13,8	20	31	39	54	67	88	122	155	171	211								
	900	3,2				7,3	12,5	18,2	28	35	49	60	80	110	140	154	190								
	750	2,7				6,1	10,4	15,1	24	29	40	50	66	92	117	128	158								
315	1800	5,7				12,9	19,9	31	48	63	89	110	140	188	246	280	345								
	1500	4,8				10,8	16,6	26	40	53	75	92	117	156	205	233	288								
	1200	3,8				8,6	13,3	20	32	42	60	74	93	125	164	186	230								
	1000	3,2				7,2	11,1	17	27	35	50	61	78	104	136	155	192								
	900	2,85				6,5	10	15,3	24	32	45	55	70	94	123	140	173								
	750	2,4				5,4	8,3	12,8	20	26	37	46	58	78	102	117	144								
355	1800	5,1				11,3	17,2	27	42	55	77	99	127	170	224	246	307								
	1500	4,2				9,4	14,3	22	35	46	65	83	106	142	186	205	256								
	1200	3,4				7,5	11,5	17,8	28	37	52	66	85	114	149	164	205								
	1000	2,8				6,3	9,6	14,9	23	31	43	55	71	95	124	136	171								
	900	2,55				5,7	8,6	13,4	21	28	39	50	64	85	112	123	154								
	750	2,1				4,7	7,2	11,2	17,4	23	32	41	53	71	93	102	128								

i_N Nominal ratio
n_{1,2} Nominal speed (rpm)

i_N 标称速比
n_{1,2} 标称转速 (rpm)

Hansen P4

Gear unit	减速机
Vertical low speed shaft	垂直低速轴
Parallel shafts	平行轴
Size	规格
Four stages	四级



Mechanical power ratings

机械功率

kW

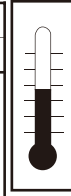
i _N	r.p.m.		Size - 规格													
	n ₁	n ₂	D	E	F	G	H	J	K	L	M	N	P	Q		
400	1800	4,5	10,4	15,5	25	35	51	72	90	104	150	199	224	280		
	1500	3,8	8,7	12,9	21	29	42	60	75	86	125	166	186	233		
	1200	3	6,9	10,4	16,8	23	34	48	60	69	100	133	149	186		
	1000	2,5	5,8	8,6	14	19,3	28	40	50	58	83	111	124	155		
	900	2,25	5,2	7,8	12,6	17,3	25	36	45	52	75	99	112	140		
	750	1,9	4,3	6,5	10,5	14,5	21	30	38	43	63	83	93	117		
450	1800	4	9	13,4	21	30	44	58	79	92	136	181	199	246		
	1500	3,3	7,5	11,2	17,8	25	37	48	66	76	114	151	166	205		
	1200	2,65	6	8,9	14,3	20	29	39	53	61	91	121	133	164		
	1000	2,2	5	7,5	11,9	17	24	32	44	51	76	101	111	136		
	900	2	4,5	6,7	10,7	15,3	22	29	40	46	68	91	99	123		
	750	1,65	3,8	5,6	8,9	12,8	18,3	24	33	38	57	75	83	102		
500	1800	3,6		12,4	20	27		48	72	81	101	-	181	224		
	1500	3		10,4	16,8	23		40	60	67	84	-	151	186		
	1200	2,4		8,3	13,4	18		32	48	54	67	-	121	149		
	1000	2		6,9	11,2	15		27	40	45	56	-	101	124		
	900	1,8		6,2	10,1	13,5		24	36	40	50	-	91	112		
	750	1,5		5,2	8,4	11,3		20	30	34	42	-	75	93		
560	1800	3,2		10,7	17,6	24		41	58	73	92	-	-	199		
	1500	2,8		8,9	14,6	19,9		34	48	61	76	-	-	166		
	1200	2,1		7,2	11,7	15,9		27	39	49	61	-	-	133		
	1000	1,8		6	9,8	13,3		23	32	41	51	-	-	111		
	900	1,6		5,4	8,8	11,9		20	29	37	46	-	-	99		
	750	1,3		4,5	7,3	10		16,9	24	31	38	-	-	83		
630	1800	2,9							47	65	78	-	-	181		
	1500	2,4							40	54	65	-	-	151		
	1200	1,9							32	44	52	-	-	121		
	1000	1,6							26	36	44	-	-	101		
	900	1,4							24	33	39	-	-	91		
	750	1,2							20	27	33	-	-	75		

Thermal power ratings

热功率

P_t kW

i _N	r.p.m. n ₁	Size - 规格													
		D	E	F	G	H	J	K	L	M	N	P	Q		
100 ↓ 160	1800	47	62	84	120	135	125	135	190	200	170	180	200		
	1500	45	59	82	115	130	130	140	190	210	200	210	230		
	1200	43	56	77	110	125	130	145	190	210	210	230	250		
	1000	40	52	73	105	120	130	140	190	210	220	230	250		
	900	39	51	71	100	115	130	140	180	200	220	230	250		
	750	37	48	67	96	110	125	135	180	200	210	220	240		
180 ↓ 315	P _{tc} ⁺	42	65	73	220	235	235	235	530	530					
	1800	40	48	68	95	110	115	125	165	180	180	190	210		
	1500	38	46	65	90	105	115	125	160	180	190	200	220		
	1200	36	43	61	85	98	110	125	160	180	190	200	230		
	1000	34	41	57	80	93	105	120	150	170	180	200	220		
	900	33	39	56	77	90	100	115	150	170	180	200	220		
355 ↓ 630	750	32	37	52	73	85	97	110	140	160	175	190	210		
	P _{tc} ⁺	35	55	62	190	200	195	200	450	450					
	1800	33	39	55	75	87	93	105	130	150	160	170	190		
	1500	32	37	53	72	83	91	100	125	145	160	170	190		
	1200	30	36	50	68	78	87	96	120	140	160	170	190		
	1000	29	34	48	65	74	83	92	115	130	150	160	180		
900	29	33	46	63	71	81	89	110	130	150	160	170			
	28	31	44	60	67	77	85	105	120	140	150	165			
	750	33	51	57	175	185	185	185	415	415					



QVP...
(kW)

P_{tc}⁺ Additional thermal power with cooling coil - see p. A9
To be applied only if basic thermal power ratings are listed.

P_{tc}⁺ 带冷却盘管的附加热功率见A21页
仅选用列于表中基本热功率

i_N Nominal ratio
n_{1,2} Nominal speed (rpm)

i_N 标称速比
n_{1,2} 标称转速 (rpm)

Hansen P4

Gear unit	减速机			Q V P C ▶ T 2 ▶ 4	i_{ex}
Vertical low speed shaft	垂直低速轴				
Parallel shafts	平行轴				
Size	规格				
Gear sets	级数				

Exact ratios *i_{ex}*

精确传动比 *i_{ex}*

i_N	Size - 规格																	
	A	B	C	D	E	F	G	H	J	K	L	M	N	P	Q	R	S	T
6,3			6,2296	6,4156	6,1875	6,4699												
7,1			7,1594	7,2524	7,1188	7,0074												
8			7,7364	7,9673	7,6261	7,9849												
9			8,8911	9,0065	8,7738	8,6483												
10			9,7673	10,059	9,7903	10,326												
11,2			11,225	11,371	11,264	11,183												
12,5			12,54	12,73	12,176	13												
14			14,412	14,39	14,009	14,08												
16			15,557	16,461	15,745	16,036												
18			17,879	18,608	18,115	17,368												
20			19,969	20,069	19,671	20,059												
22,4			22,949	22,686	22,631	21,725												
20			19,758	19,712	19,422	20,001	19,654						19,711			19,874		
22,4			22,728	22,031	22,32	22,61	22,613		23,216	22,849			21,687	22,686		22,113	22,663	
25			24,954	24,479	24,119	24,839	24,224	25,114	25,144	24,747	25,475	25,235	24,783	24,96		24,988	25,217	25,452
28			28,705	27,359	27,719	28,079	27,87	28,894	28,652	28,924	28,034	27,77	27,268	28,524	28,265	27,803	28,495	28,32
31,5			30,891	30,905	30,451	31,36	31,099	30,953	31,032	31,327	32,585	31,945	30,778	31,384	31,098	31,032	31,706	32,002
35,5			35,535	34,541	34,996	35,45	35,779	35,611	37,05	35,697	35,858	35,154	33,863	35,423	35,538	34,528	35,387	35,608
40			38,42	39,038	39,096	39,687	38,678	39,737	40,128	38,663	41,033	40,86	38,857	38,974	39,101	39,178	39,374	39,742
45			44,196	43,631	44,931	44,864	44,499	45,718	46,647	46,161	45,155	44,965	42,752	44,722	44,134	43,592	44,676	44,22
50			49,681	49,226	48,502	51,319	50,014	49,422	50,522	49,996	49,588	51,455	50,338	49,206	48,558	50,754		50,175
56			57,149	55,017	55,741	58,013	57,541	56,86	57,542	58,118	54,569	56,623	55,385	57,937	55,72	56,473	57,877	55,829
63			63,093	64,977	62,152	65,036	62,483	63,907	62,322	62,946	63,185	62,182	61,891	63,745	61,305	64,113	64,399	65,001
71			72,51	73,452	71,506	70,439	71,887	73,525	71,975	71,691	69,532	68,428	68,096	71,234	72,183	71,337	73,111	72,325
80			78,824	80,246	79,775	79,29	81,304	79,839	77,954	77,647	79,096	79,231	76,436	78,375	79,42	80,097	81,349	82,109
90			90,588	90,713	91,782	88,107	89,471	91,856	86,487	89,674	91,107	87,19	84,099	87,973	88,75	89,122	91,339	91,361
100			101,17	97,835	99,664	99,179	104,2		95,158	97,124	101,37			96,793	97,647		101,63	102,58
112			116,28	110,6	114,66	107,42	114,67		106,81		113,82				109,61			114,14
100				100,28	98,801	100,74	98,175	97,896	100,75		95,382	97,044	101,24					
112				112,07	113,55	113,88	112,95	112,51	112,95	111,05	109,74	111,65	109,65	116,52				
125				124,14	122,31	127,18	123,95	125,45	122,34	125,53	124,11	119,61	121,65	126,2				
140				138,74	140,56	143,77	142,6	144,33	142,6	140,73	136,58	137,61	133,84	140,01	145,17			
160				163,85	152,12	160,65	159,13	158,38	154,45	152,42	159,34	155,63	157,31	154,05	157,23			
180				185,23	174,82	181,6	183,09	182,21	180,47	177,67	175,34	171,27	173,08	181,05	174,44			
200				203,79	196,7	202,57	197,42	203,34	195,46	192,43	198,17	199,8	198,05	199,2	191,93			
224				230,37	226,06	229	227,14	233,94	233,36	224,85	218,08	219,87	217,91	227,95	225,57			
250				248,46	245,74	250,18	253,4	252,26	252,75	243,53	256,25	248,5	244,31	250,8	248,19			
280				280,86	282,42	282,81	291,54	290,23	284,51	290,75	281,99	273,46	268,8	281,19	284			
315				321,27	314,9	317,05	316,58	323,79	308,15	314,9	320,14	321,33	305,59	309,37	312,47			
355				363,18	362,3	343,39	364,23	372,53	355,88	354,47	352,29	353,61	336,22	351,72	350,33			
400				401,37	404,19	386,54	411,94	404,52	385,44	383,92	400,75	401,44	377,4	386,97	385,45			
450				453,73	465,03	429,52	453,32	465,4	427,63	443,39	461,61	441,76	415,24	434,37	438,2			
500					504,97	483,5	527,96		528,13	480,22	513,62	502,21		477,91	482,13			
560					580,97	523,66	581		581,07	530,02	576,7	572,14			541,18			
630										608,32	641,68	643,65			595,43			

Three stages

三级

i_N Nominal ratio

i_N 标称速比

Hansen P4

Gear unit	减速机
Vertical low speed shaft	垂直低速轴
Parallel shafts	平行轴
Size	规格
Gear sets	级数

Q	J kgm ²
V	
P	
C ▶ T	
2 ▶ 4	

Moments of inertia J related to the HSS

与HSS相关的转动惯量

i _N	Size - 规格																	
	A	B	C	D	E	F	G	H	J	K	L	M	N	P	Q	R	S	T
6,3			0,0547	0,108	0,213	0,423												
7,1			0,0514	0,103	0,2	0,408												
8			0,0415	0,0823	0,162	0,322												
9			0,0394	0,0787	0,154	0,312												
10			0,0314	0,0623	0,12	0,236												
11,2			0,0301	0,0601	0,114	0,23												
12,5			0,0239	0,048	0,0926	0,181												
14			0,0231	0,0466	0,0892	0,178												
16			0,0191	0,0368	0,0698	0,145												
18			0,0186	0,0359	0,0677	0,142												
20			0,0152	0,0305	0,0555	0,115												
22,4			0,0149	0,0299	0,0542	0,114												
20			0,0134	0,0281	0,0587	0,119	0,234						2,84			6,39		
22,4			0,0124	0,0263	0,0542	0,111	0,215		0,467	0,692			2,64	2,94		5,85	6,64	
25			0,0098	0,021	0,0438	0,0893	0,176	0,247	0,446	0,652	0,924	1,38	2,03	2,73		4,47	6,05	6,9
28			0,0091	0,0198	0,0409	0,0843	0,164	0,225	0,352	0,491	0,873	1,29	1,9	2,09	3,14	4,13	4,63	6,27
31,5			0,0075	0,0156	0,0326	0,0667	0,128	0,185	0,337	0,466	0,663	0,978	1,5	1,96	2,89	3,24	4,26	4,8
35,5			0,007	0,0149	0,0308	0,0636	0,12	0,17	0,254	0,367	0,631	0,917	1,42	1,54	2,22	3,02	3,34	4,39
40			0,0058	0,0121	0,0244	0,0508	0,0979	0,133	0,245	0,351	0,491	0,696	1,11	1,46	2,06	2,32	3,1	3,45
45			0,0055	0,0116	0,0233	0,0488	0,0931	0,124	0,193	0,263	0,472	0,659	1,05	1,13	1,63	2,18	2,38	3,19
50			0,0044	0,0095	0,0191	0,0384	0,0729	0,101	0,187	0,253	0,388	0,512	0,801	1,08	1,52	1,63	2,23	2,45
56			0,0042	0,0092	0,0184	0,0372	0,0701	0,0957	0,152	0,198	0,375	0,489	0,771	0,817	1,18	1,55	1,67	2,29
63			0,0042	0,0092	0,0184	0,0376	0,0576	0,075	0,149	0,192	0,293	0,403	0,632	0,784	1,12	1,21	1,58	1,71
71			0,0042	0,0091	0,0183	0,0374	0,0557	0,0716	0,12	0,156	0,285	0,386	0,613	0,643	0,847	1,16	1,24	1,61
80			0,0034	0,0075	0,0146	0,0311	0,0559	0,0589	0,117	0,152	0,283	0,302	0,504	0,621	0,809	0,927	1,18	1,26
90			0,0034	0,0075	0,0145	0,0357	0,0557	0,0567	0,118	0,122	0,219	0,292	0,491	0,511	0,663	0,894	0,943	1,2
100			0,0033	0,0073	0,014	0,0299	0,0534		0,117	0,12	0,218			0,496	0,638		0,907	0,959
112			0,0032	0,0072	0,014	0,0298	0,0533		0,113		0,21				0,524			0,92
100				0,0076	0,0091	0,0202	0,0426	0,0468	0,0867		0,184	0,242	0,37					
112				0,0075	0,0089	0,0199	0,0419	0,0433	0,0877	0,094	0,17	0,22	0,354	0,374				
125				0,006	0,0069	0,0152	0,0321	0,0432	0,0868	0,0879	0,169	0,188	0,353	0,357				
140				0,0059	0,0068	0,015	0,0316	0,0423	0,0657	0,0887	0,167	0,173	0,347	0,355	0,382			
160				0,0059	0,0053	0,0118	0,0244	0,0324	0,0652	0,0877	0,124	0,171	0,256	0,35	0,364			
180				0,0059	0,0052	0,0116	0,0241	0,0319	0,0502	0,0664	0,122	0,169	0,253	0,257	0,36			
200				0,0047	0,004	0,0093	0,0194	0,0246	0,0498	0,0657	0,0953	0,125	0,195	0,254	0,354			
224				0,0047	0,0039	0,0092	0,0192	0,0242	0,038	0,0506	0,0944	0,124	0,193	0,196	0,261			
250				0,0047	0,0031	0,0076	0,0154	0,0195	0,0378	0,0502	0,0713	0,0962	0,155	0,194	0,257			
280				0,0047	0,0031	0,0075	0,0153	0,0193	0,0314	0,0383	0,0708	0,0952	0,154	0,156	0,198			
315				0,0036	0,0031	0,0076	0,0148	0,0155	0,0312	0,038	0,0565	0,0719	0,123	0,154	0,196			
355				0,0036	0,0031	0,0076	0,0147	0,0154	0,03	0,0315	0,0562	0,0713	0,122	0,123	0,157			
400				0,003	0,003	0,0073	0,0148	0,0149	0,0299	0,0314	0,0562	0,0569	0,118	0,122	0,155			
450				0,003	0,0029	0,0075	0,0147	0,0148	0,03	0,0301	0,0537	0,0565	0,117	0,118	0,124			
500					0,0029	0,0072	0,0147	0,0148	0,0298	0,03	0,0536	0,0564		0,117	0,123			
560					0,0029	0,0072	0,0147		0,0297	0,03	0,0533	0,0539			0,118			
630										0,03	0,0533	0,0538			0,118			

Three stages
i_N Nominal ratio

三级
i_N 标称速比

QVP...
i_{ex} J

Hansen P4

97QU-VP2N00023 A

mm

Gear unit	减速机
Vertical low speed shaft	垂直低速轴
Parallel shafts	平行轴
Size	规格
Two stages	二级

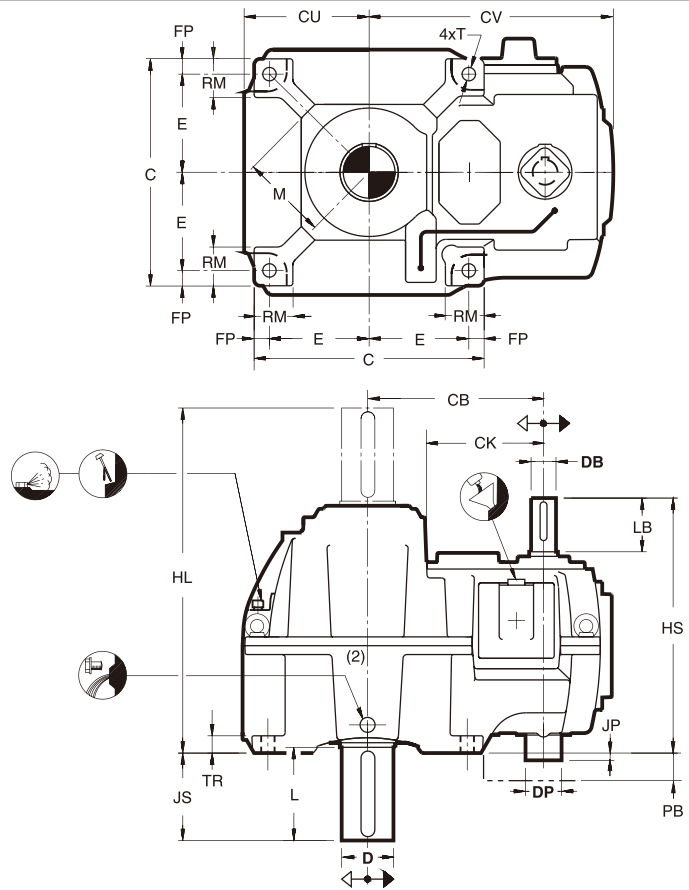
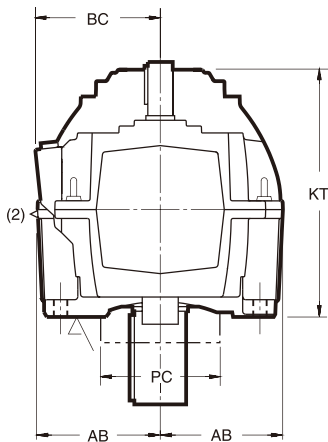
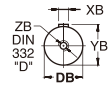
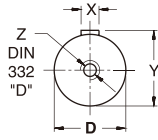
Q
V
P
C ▶ F
2

The user is responsible for the provision of safety guards and correct installation of all equipment.

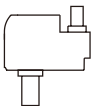
Certified dimensions upon request.

用户应正确安装所有设备并提供安全保护装置

可按要求提供详细尺寸



UD



Shaft arrangements
(front view)

UU



轴布置 (主视图)

(1) Space for pump removal
(2) Grease lubrication point only for shaft arrangement UD

(1) 拆除泵所需空间

(2) 黄油润滑点 仅用于UD型轴布置

Type 型号	AB	BC	C	CB	CK	CU	CV	E	FP	HL	HS	JS	KT	M	RM	T	TR	kg	Litres 公升
QVPC2	255	280	470	345	233	260	487	200	35	709	520	204	491	165	95	28	38	360	31
QVPD2	285	290	530	397	265	290	553	225	40	782	605	207	557	195	95	35	40	520	37
QVPE2	320	335	600	459	305	326	637	260	40	900	665	245	630	225	105	35	45	790	58
QVPF2	365	372	690	525	345	370	720	295	50	945	735	243	678	265	135	42	52	1110	85

Type 型号	Shafts Keys 轴键					ISO/R773-1969					Pump 泵			
	D- m6	L	X	Y	Z	DB	LB	XB	YB	ZB	DP (1)	JP	PB (1)	PC (1)
QVPC2	105	210	28	111	M24	48k6	110	14	51,5	M16	110	29	75	110
QVPD2	115	210	32	122	M24	58m6	140	16	62	M20	110	19	65	110
QVPE2	135	250	36	143	M30	65m6	140	18	69	M20	145	-1	50	145
QVPF2	155	250	40	164	M30	75m6	140	20	79,5	M20	145	6	60	145

Hansen P4

97QU-VP2NK0023 B

mm

Motor-reducer	电机-减速机
Vertical low speed shaft	垂直低速轴
Parallel shafts	平行轴
Size	规格
Two stages	二级
Option lantern housing	可选用电机法兰式连接

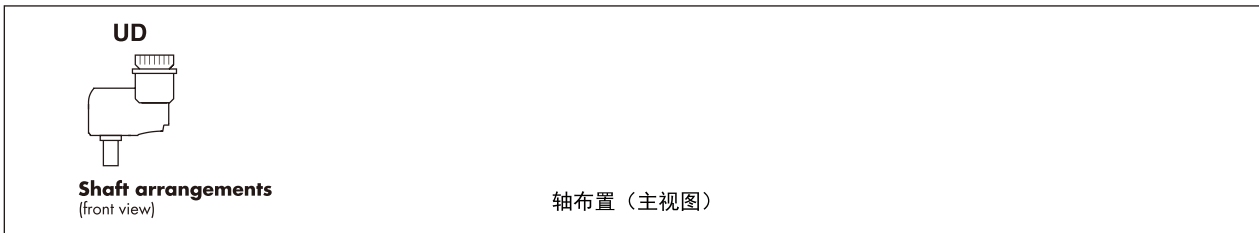
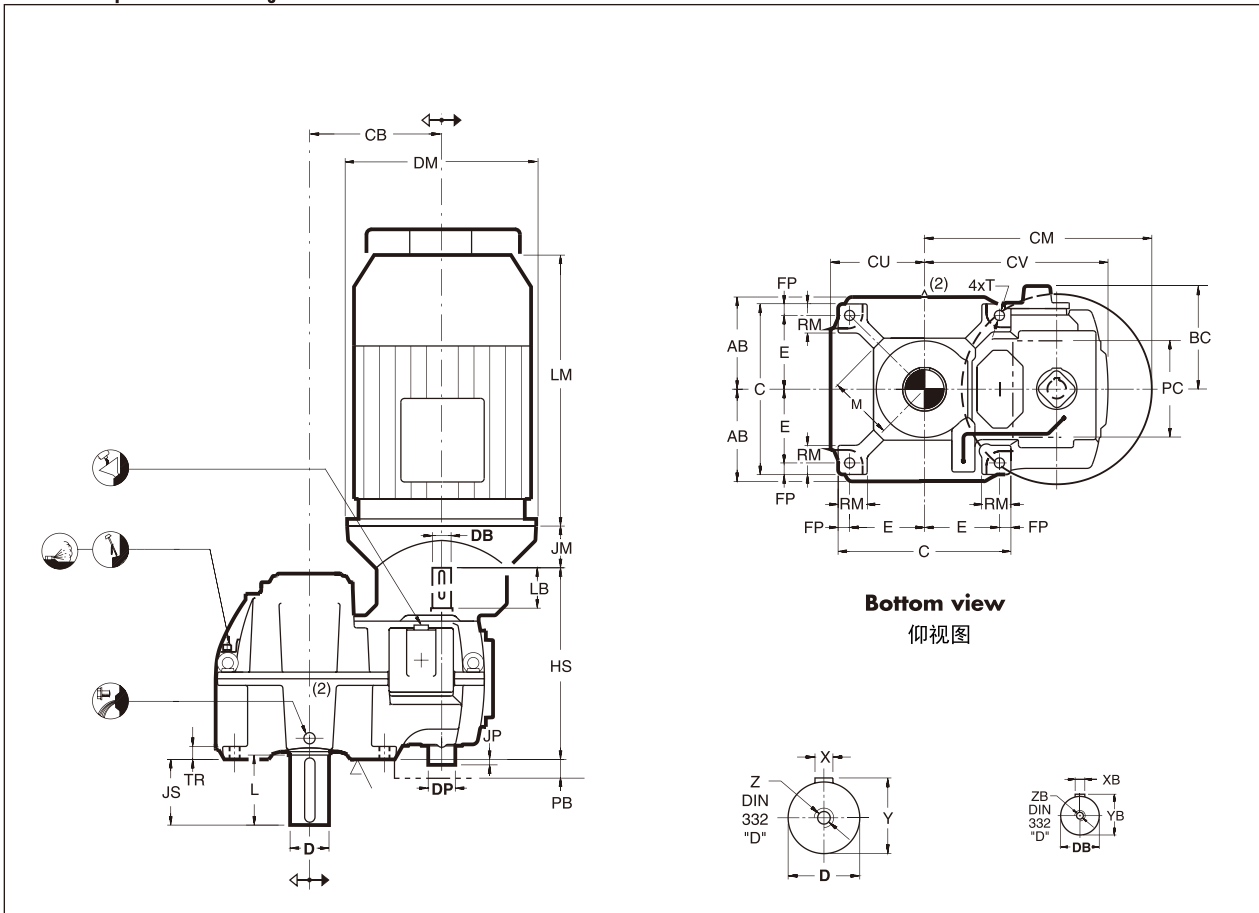
Q
V
P
C ▶ F
2

The user is responsible for the provision of safety guards and correct installation of all equipment.

Certified dimensions upon request.

用户应正确安装所有设备并提供安全保护装置

可按要求提供详细尺寸



- (1) Space for pump removal
- (2) Grease lubrication point
- (3) Max. dimensions depending on motor execution and motor power
- (4) To be specified separately
- (5) Without motor

Type 型号	AB	BC	C	CB	CU	CV	E	FP	HS	JS	M	RM	T	TR	kg (5)	Litres 公升
QVPC2	255	280	470	345	260	487	200	35	520	204	165	95	28	38	410	31
QVPD2	285	290	530	397	290	553	225	40	605	207	195	95	35	40	590	37
QVPE2	320	335	600	459	326	637	260	40	665	245	225	105	35	45	880	58
QVPF2	365	372	690	525	370	720	295	50	735	243	265	135	42	52	1200	85

- (1) 拆除泵所需空间
- (2) 黄油润滑点
- (3) 最大尺寸根据电机功率及型号而定
- (4) 另行确定
- (5) 不带电机

Type 型号	Shafts Keys 轴键					ISO/R773-1969					Pump 泵			
	D-m6	L	X	Y	Z	DB	LB	XB	YB	ZB	DP (1)	JP	PB (1)	PC (1)
QVPC2	105	210	28	111	M24	48k6	110	14	51,5	M16	110	29	75	110
QVPD2	115	210	32	122	M24	58m6	140	16	62	M20	110	19	65	110
QVPE2	135	250	36	143	M30	65m6	140	18	69	M20	145	-1	50	145
QVPF2	155	250	40	164	M30	75m6	140	20	79,5	M20	145	6	60	145

MOTOR 电机			Hansen P4								Coupling 联轴器 (4)
IEC V1	DM	LM (3)	QVPC2		QVPD2		QVPE2		QVPF2		
			CM	JM	CM	JM	CM	JM	CM	JM	
225	450		570	145							
250	550		620	145	672	145	734	145			
280	550		620	145	672	145	734	145			
315	660		675	175	727	175	789	175	855	175	
355	800						859	215	925	215	

QVP...



Hansen P4

97QU-VP3N00033 A

mm

Gear unit	减速机
Vertical low speed shaft	垂直低速轴
Parallel shafts	平行轴
Size	规格
Three stages	三级

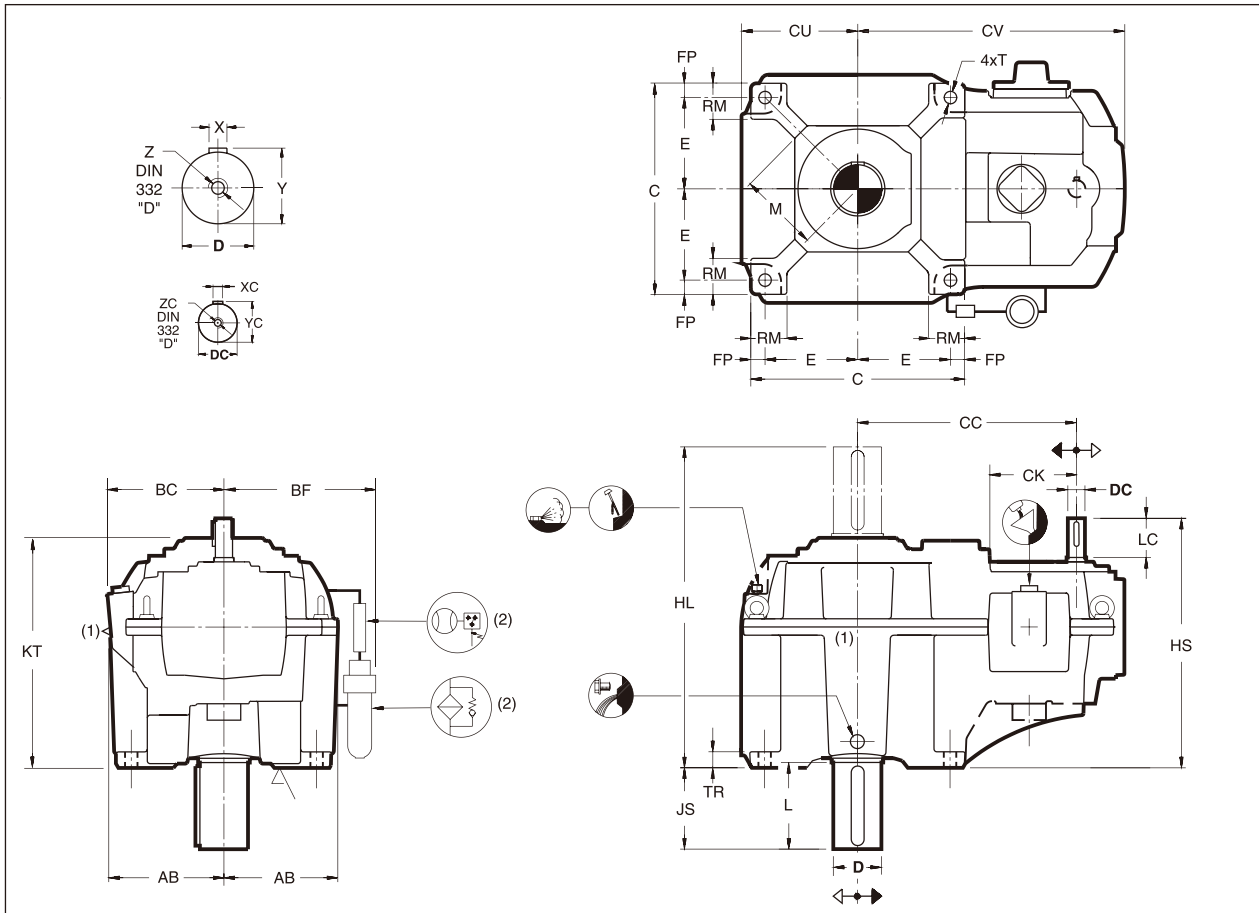
Q
V
P
C ▶ H
3

The user is responsible for the provision of safety guards and correct installation of all equipment.

Certified dimensions upon request.

用户应正确安装所有设备并提供安全保护装置

可按要求提供详细尺寸



(1) Grease lubrication point only for shaft arrangement UD
(2) Standard for gear units sizes G and H

(1) 黄油润滑点仅用于UD型轴布置
(2) 对于减速机G和H是标准的

Type 型号	AB	BC	BF	C	CC	CK	CU	CV	E	FP	HL	HS	JS	KT	M	RM	T	TR	kg	Litres 公升
QVPC3	255	280	-	470	454	173	260	565	200	35	695	562	204	477	165	95	28	38	390	22
QVPD3	285	290	-	530	523	200	290	660	225	40	765	618	207	540	195	95	35	40	560	33
QVPE3	320	332	-	600	607	234	326	749	260	40	880	680	245	612	225	105	35	45	860	45
QVPF3	365	372	-	690	696	265	370	852	295	50	970	790	243	703	265	135	42	52	1230	70
QVPG3	450	455	490	860	800	304	455	983	375	55	1089	815	295	767	330	150	48	65	1800	98
QVPH3	450	455	490	860	872	304	455	1055	375	55	1139	815	345	767	330	150	48	65	1900	106

Type 型号	Shafts Keys 轴键					ISO/R773-1969				
	D-m6	L	X	Y	Z	DC	LC	XC	YC	ZC
QVPC3	105	210	28	111	M24	38k6	110	10	41	M12
QVPD3	115	210	32	122	M24	42k6	110	12	45	M16
QVPE3	135	250	36	143	M30	48k6	110	14	51,5	M16
QVPF3	155	250	40	164	M30	58m6	140	16	62	M20
QVPG3	180	300	45	190	M30	65m6	140	18	69	M20
QVPH3	190	350	45	200	M30	65m6	140	18	69	M20

Hansen P4

97QU-VP3N00143 A

mm

Gear unit	减速机
Vertical low speed shaft	垂直低速轴
Parallel shafts	平行轴
Size	规格
Three stages	三级

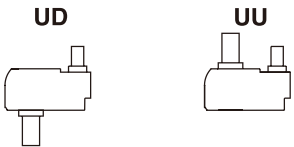
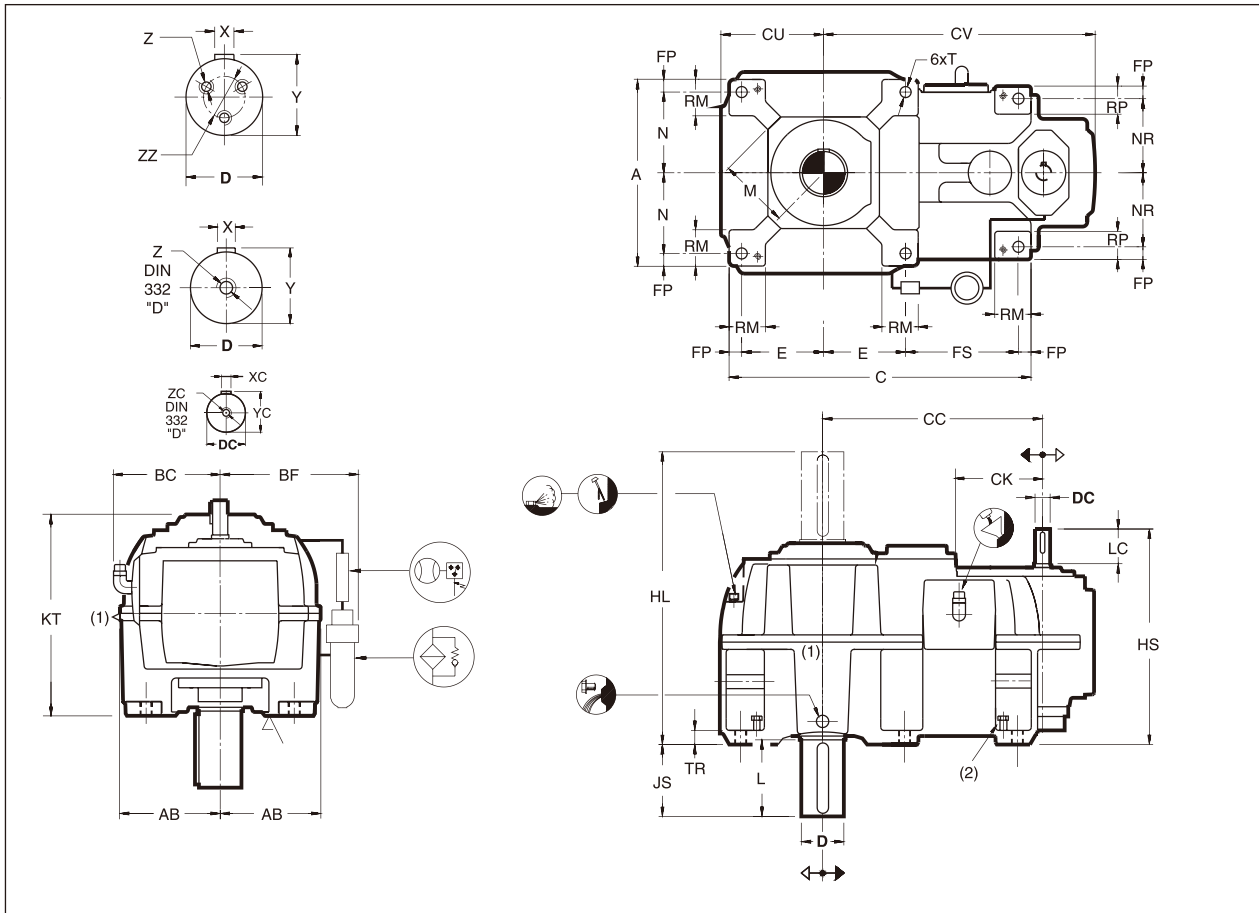
Q
V
P
J ▶ T
3

The user is responsible for the provision of safety guards and correct installation of all equipment.

Certified dimensions upon request.

用户应正确安装所有设备并提供安全保护装置

可按要求提供详细尺寸



Shaft arrangements (front view)

轴布置 (主视图)

(1) Grease lubrication point only for shaft arrangement UD
(2) 4x jacking screw

(1) 黄油润滑点仅用于UD型轴布置
(2) 4x起升螺栓

Type 型号	A	AB	BC	BF	C	CC	CK	CU	CV	E	FP	FS	HL	HS	JS	KT	M	N	NR	RM	RP	T	TR	kg	Litres 公升
QVPJ3	1010	525	555	635	1380	942	351	540	1137	410	55	450	1235	865	342	864	390	450	385	160	140	48	70	2900	295
QVPK3	1010	525	555	635	1380	1020	351	540	1223	410	55	450	1295	865	402	864	390	450	385	160	140	48	70	3300	315
QVPL3	1240	640	665	750	1650	1110	399	655	1340	510	60	510	1429	1010	400	1024	410	560	490	175	155	56	80	5100	500
QVPM3	1240	640	665	750	1650	1208	399	655	1438	510	60	510	1489	1010	460	1024	410	560	490	175	155	56	80	5600	520
QVPM3	1270	655	685	765	1615	1303	476	600	1557	450	60	595	1535	1125	455	1065	460	575	505	180	165	56	85	8200	490
QVPP3	1270	655	685	765	1747	1369	476	666	1617	516	60	595	1595	1125	495	1085	480	575	505	180	165	56	85	9000	530
QVPQ3	1270	760	685	870	1989	1490	476	787	1738	637	60	595	1635	1125	535	1085	510	575	505	180	165	56	85	10400	600
QVPR3	1420	730	770	840	1905	1553	558	710	1833	540	70	685	1815	1270	585	1220	540	640	560	205	185	66	95	12500	720
QVPS3	1420	770	770	880	2057	1629	558	786	1909	616	70	685	1885	1270	635	1240	560	640	560	205	185	66	95	13700	780
QVPT3	1420	840	770	950	2207	1704	558	861	1984	691	70	685	1885	1270	635	1240	590	640	560	205	185	66	95	14900	830

Type 型号	Shafts Keys 轴键						ISO/R773-1969				
	D-m6	L	X	Y	Z	ZZ	DC-m6	LC	XC	YC	ZC
QVPJ3	210	350	50	221	M30	-	75	140	20	79,5	M20
QVPK3	230	410	50	241	M30	-	75	140	20	79,5	M20
QVPL3	250	410	56	262	M30	-	85	170	22	90	M20
QVPM3	270	470	63	282	3 x M24	140	85	170	22	90	M20
QVPM3	300	470	70	314	3 x M24	140	100	210	28	106	M24
QVPP3	320	510	70	334	3 x M24	140	100	210	28	106	M24
QVPQ3	340	550	80	355	3 x M24	250	100	210	28	106	M24
QVPR3	360	600	80	375	3 x M24	250	120	210	32	127	M24
QVPS3	380	650	80	395	3 x M24	250	120	210	32	127	M24
QVPT3	400	650	90	417	3 x M24	250	120	210	32	127	M24

QVP...



Hansen P4

97QU-VP3NK0023 B

mm

Motor-reducer	电机-减速机
Vertical low speed shaft	垂直低速轴
Parallel shafts	平行轴
Size	规格
Three stages	三级
Option lantern housing	可选用电机法兰式连接

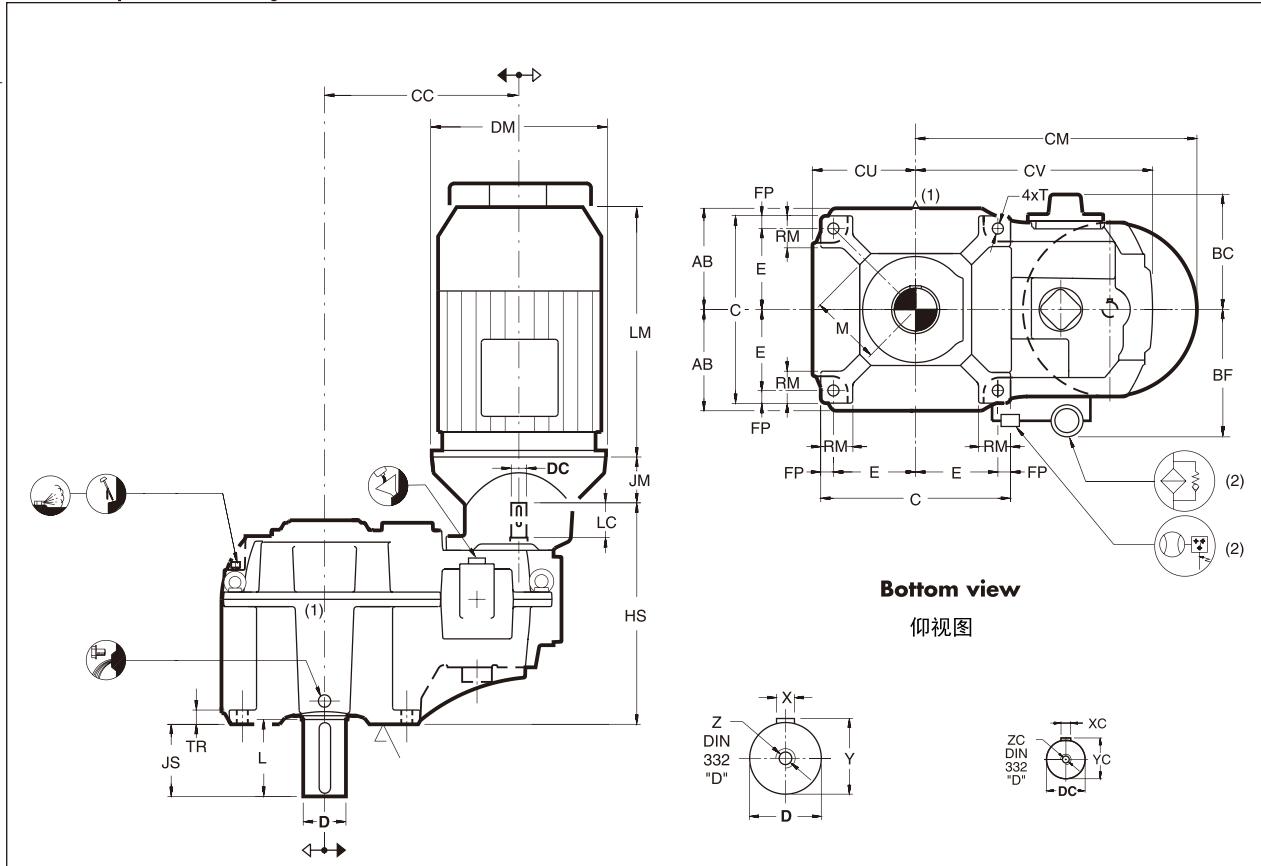
Q
V
P
C ▽ H
3

The user is responsible for the provision of safety guards and correct installation of all equipment.

Certified dimensions upon request.

用户应正确安装所有设备并提供安全保护装置

可按要求提供详细尺寸



Shaft arrangements (front view)

轴布置 (主视图)

- (1) Grease lubrication point
- (2) Standard for gear units sizes G and H
- (3) Max. dimensions depending on motor execution and motor power
- (4) To be specified separately
- (5) Without motor

Type 型号	AB	BC	BF	C	CC	CU	CV	E	FP	HS	JS	M	RM	T	TR	kg (5)	Litres 公升
QVPC3	255	280	-	470	454	260	565	200	35	562	204	165	95	28	38	425	22
QVPD3	285	290	-	530	523	290	660	225	40	618	207	195	95	35	40	600	33
QVPE3	320	332	-	600	607	326	749	260	40	680	245	225	105	35	45	910	45
QVPF3	365	372	-	690	696	370	852	295	50	790	243	265	135	42	52	1300	70
QVPG3	450	455	490	860	800	455	983	375	55	815	295	330	150	48	65	1900	98
QVPH3	450	455	490	860	872	455	1055	375	55	815	345	330	150	48	65	2050	106

- (1) 黄油润滑点
- (2) 对于减速机G和H是标准的
- (3) 最大尺寸根据电机功率及型号而定
- (4) 另行确定
- (5) 不带电机

Type 型号	Shafts Keys 轴键										ISO/R773-1969		
	D-m6	L	X	Y	Z	DC	LC	XC	YC	ZC			
QVPC3	105	210	28	111	M24	38k6	110	10	41	M12			
QVPD3	115	210	32	122	M24	42k6	110	12	45	M16			
QVPE3	135	250	36	143	M30	48k6	110	14	51,5	M16			
QVPF3	155	250	40	164	M30	58m6	140	16	62	M20			
QVPG3	180	300	45	190	M30	65m6	140	18	69	M20			
QVPH3	190	350	45	200	M30	65m6	140	18	69	M20			

MOTOR 电机			Hansen P4												Coupling 联轴器 (4)	
IEC V1	DM	LM (3)	QVPC3		QVPD3		QVPE3		QVPF3		QVPG3		QVPH3			
			CM	JM	CM	JM	CM	JM	CM	JM	CM	JM				
160	350		629	115	698	115	782	115								
180	350		629	115	698	115	782	115								
200	400		654	115	723	115	807	115								
225	450		679	145	748	145	832	145	921	145	1025	145	1097	145		
250	550		729	145	798	145	882	145	971	145	1075	145	1147	145		
280	550		729	145	798	145	882	145	971	145	1075	145	1147	145		
315	660						937	175	1026	175	1130	175	1202	175		
355	800										1200	215	1272	215		

Hansen P4

97QU-VP3NK0113 B

mm

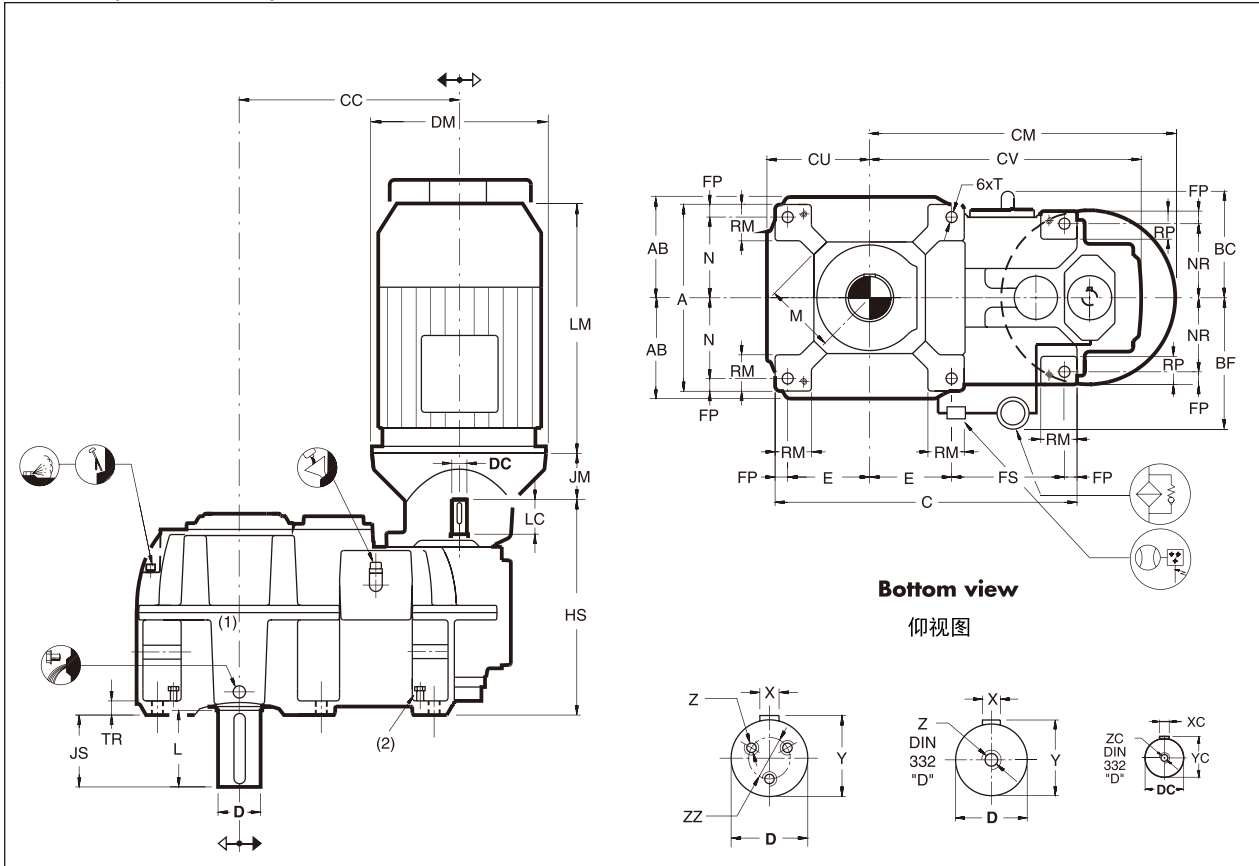
Motor-reducer	电机-减速机
Vertical low speed shaft	垂直低速轴
Parallel shafts	平行轴
Size	规格
Three stages	三级
Option lantern housing	可选用电机法兰式连接

Q
V
P
J ▶ M
3

The user is responsible for the provision of safety guards and correct installation of all equipment. Certified dimensions upon request.

用户应正确安装所有设备并提供安全保护装置

可按要求提供详细尺寸



- (1) Grease lubrication point
- (2) 4 x jacking screw
- (3) Max. dimensions depending on motor execution and motor power
- (4) To be specified separately
- (5) Refer to us
- (6) Without motor



Shaft arrangements (front view)

轴布置 (主视图)

- (1) 黄油润滑点
- (2) 4x起升螺栓
- (3) 最大尺寸根据电机功率及型号而定
- (4) 另行确定
- (5) 向汉森传动咨询
- (6) 不带电机

Type 型号	A	AB	BC	BF	C	CC	CU	CV	E	FP	FS	HS	JS	M	N	NR	RM	RP	T	TR	kg (6)	Litres 公升
QVPJ3	1010	525	555	635	1380	942	540	1137	410	55	450	865	342	390	450	385	160	140	48	70	2900	295
QVPK3	1010	525	555	635	1380	1020	540	1223	410	55	450	865	402	390	450	385	160	140	48	70	3300	315
QVPL3	1240	640	665	750	1650	1110	655	1340	510	60	510	1010	400	410	560	490	175	155	56	80	5100	500
QVPM3	1240	640	665	750	1650	1208	655	1438	510	60	510	1010	460	410	560	490	175	155	56	80	5600	520

Type 型号	Shafts Keys 轴键											ISO/R773-1969				
	D-m6	L	X	Y	Z	ZZ	DC-m6	LC	XC	YC	ZC					
QVPJ3	210	350	50	221	M30	-	75	140	20	79,5	M20					
QVPK3	230	410	50	241	M30	-	75	140	20	79,5	M20					
QVPL3	250	410	56	262	M30	-	85	170	22	90	M20					
QVPM3	270	470	63	282	3 x M24	140	85	170	22	90	M20					

MOTOR 电机			Hansen P4								Coupling 联轴器 (4)
IEC V1	DM	LM (3)	QVPJ3		QVPK3		QVPL3		QVPM3		
			CM	JM	CM	JM	CM	JM	CM	JM	
315	660		1272	175	1350	175	(5)	(5)	(5)	(5)	
355	800		1342	215	1420	215	(5)	(5)	(5)	(5)	



Hansen P4

97QU-VP4N00023 A

mm

Gear unit	减速机
Vertical low speed shaft	垂直低速轴
Parallel shafts	平行轴
Size	规格
Four stages	四级

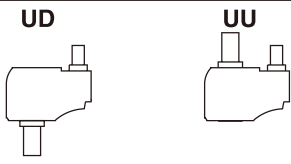
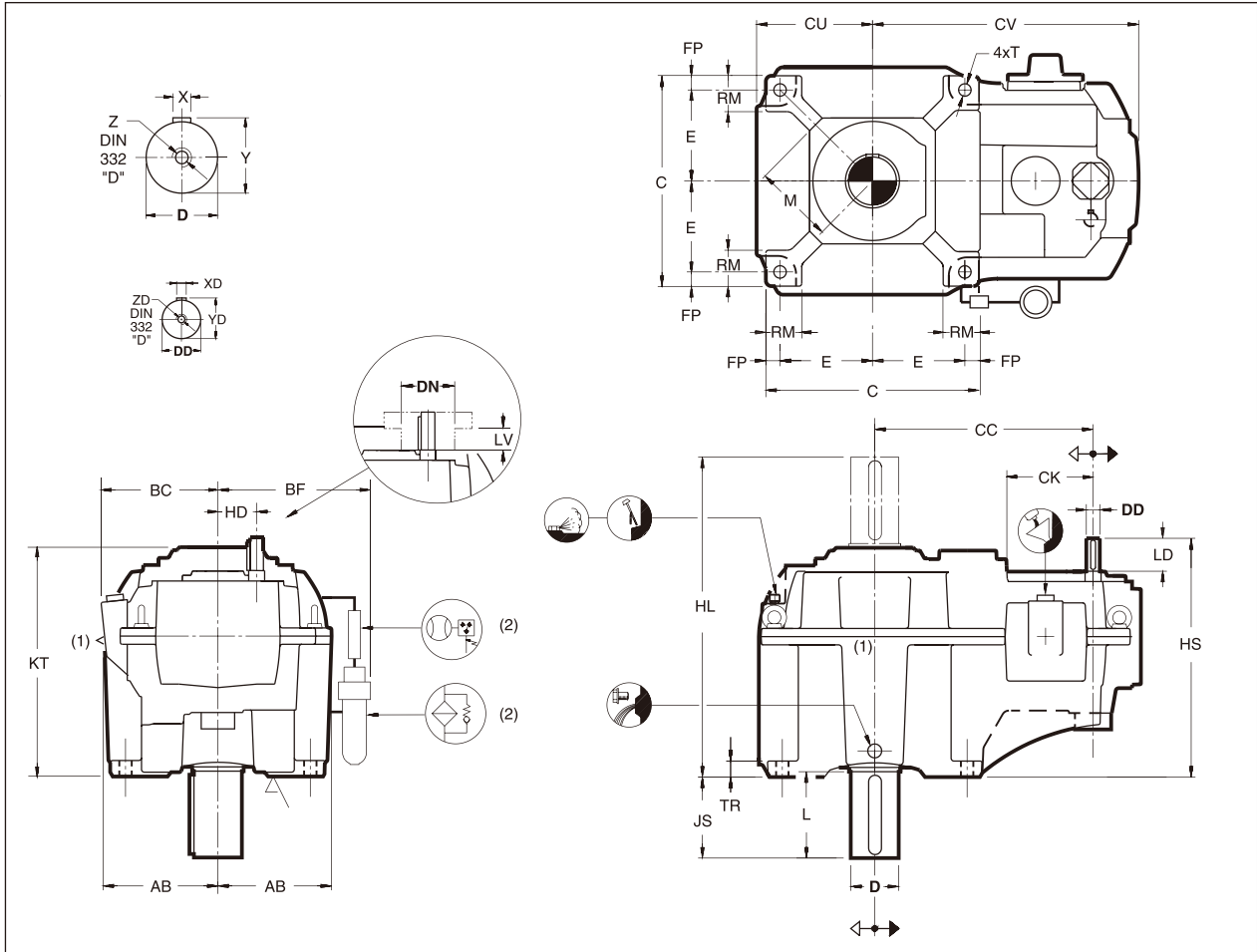
Q
V
P
D ▶ H
4

The user is responsible for the provision of safety guards and correct installation of all equipment.

Certified dimensions upon request.

用户应正确安装所有设备并提供安全保护装置

可按要求提供详细尺寸



Shaft arrangements
(front view)

轴布置 (主视图)

(1) Grease lubrication point only for shaft arrangement UD
(2) Standard for gear units sizes G and H

(1) 黄油润滑点仅用于U型轴布置

(2) 对于减速机G和H是标准的

Type 型号	AB	BC	BF	C	CC	CK	CU	CV	E	FP	HD	HL	HS	JS	KT	M	RM	T	TR	kg	Litres 公升
QVPD4	285	290	-	530	523	200	290	660	225	40	109	765	602	207	540	195	95	35	40	570	33
QVPE4	320	332	-	600	607	234	326	749	260	40	109	880	647	245	612	225	105	35	45	870	50
QVPF4	365	372	-	690	696	265	370	852	295	50	126	970	718	243	703	265	135	42	52	1250	67
QVPG4	450	455	490	860	800	304	455	983	375	55	148	1089	735	295	767	330	150	48	65	1830	102
QVPH4	450	455	490	860	872	304	455	1055	375	55	148	1139	735	345	767	330	150	48	65	1930	115

Type 型号	Shafts Keys												轴键					ISO/R773-1969				
	D- m6	L	X	Y	Z	DD- k6	DN max	LD	LV min	XD	YD	ZD										
QVPD4	115	210	32	122	M24	38	-	82	-	10	41	M12										
QVPE4	135	250	36	143	M30	38	-	82	-	10	41	M12										
QVPF4	155	250	40	164	M30	42	120	82	9	12	45	M16										
QVPG4	180	300	45	190	M30	48	155	82	10	14	51,5	M16										
QVPH4	190	350	45	200	M30	48	155	82	10	14	51,5	M16										

Hansen P4

97QU-VP4N00143 A

mm

Gear unit	减速机
Vertical low speed shaft	垂直低速轴
Parallel shafts	平行轴
Size	规格
Four stages	四级

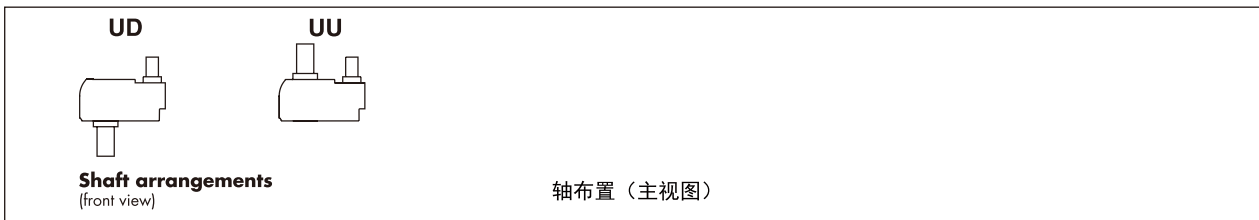
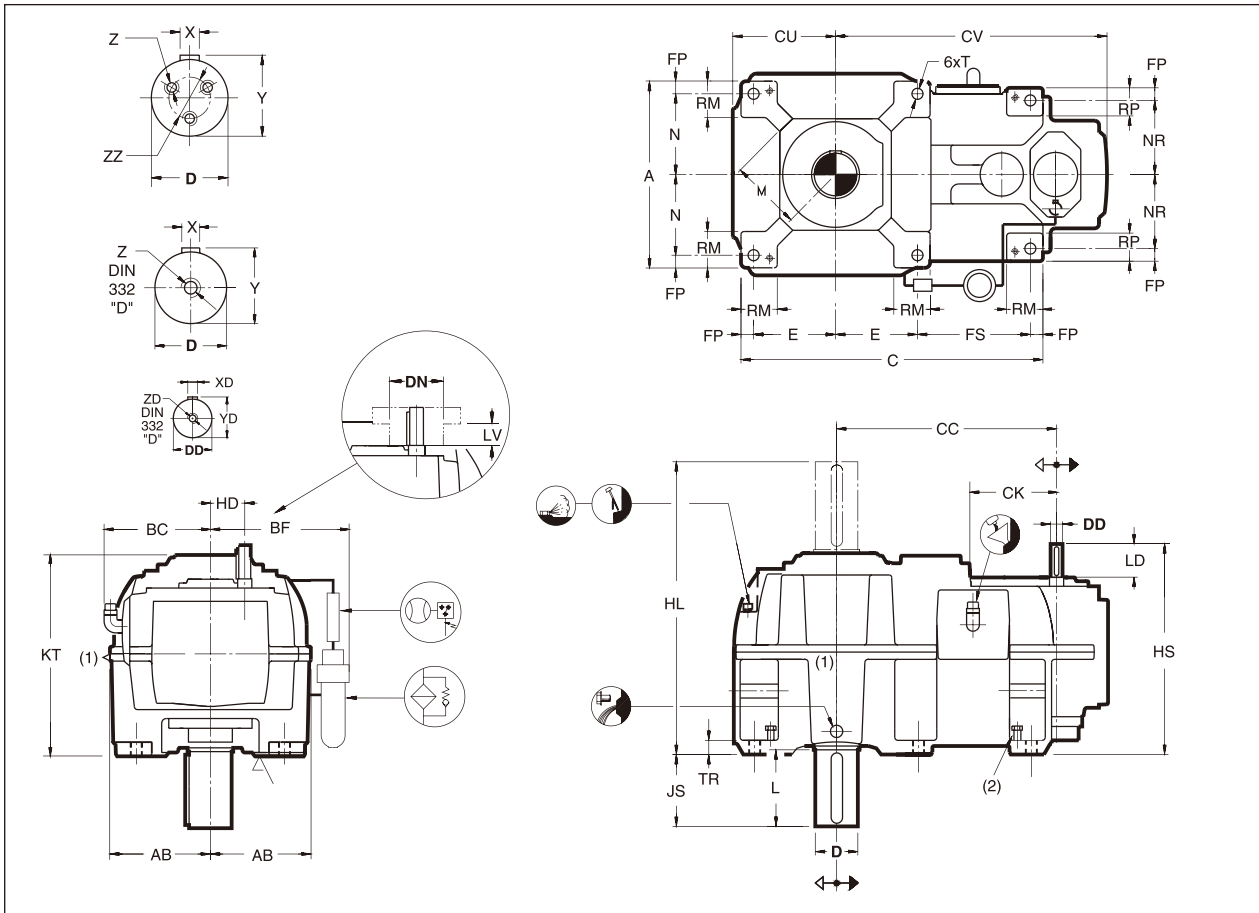
Q
V
P
J ▶ Q
4

The user is responsible for the provision of safety guards and correct installation of all equipment.

Certified dimensions upon request.

用户应正确安装所有设备并提供安全保护装置

可按要求提供详细尺寸



(1) Grease lubrication point only for shaft arrangement UD
(2) 4x jacking screw

(1) 黄油润滑点仅用于UD型轴布置
(2) 4x起升螺栓

Type 型号	A	AB	BC	BF	C	CC	CK	CU	CV	E	FP	FS	HD	HL	HS	JS	KT	M	N	NR	RM	RP	T	TR	kg	Litres 公升
QVPJ4	1010	525	555	635	1380	942	351	540	1137	410	55	450	171	1235	810	342	864	390	450	385	160	140	48	70	3000	305
QVPK4	1010	525	555	635	1380	1020	351	540	1223	410	55	450	171	1295	810	402	864	390	450	385	160	140	48	70	3400	325
QVPL4	1240	640	665	750	1650	1110	399	655	1340	510	60	510	197	1429	940	400	1024	410	560	490	175	155	56	80	5200	520
QVPM4	1240	640	665	750	1650	1208	399	655	1438	510	60	510	197	1489	940	460	1024	410	560	490	175	155	56	80	5700	540
QVPN4	1270	655	685	765	1615	1303	476	600	1557	450	60	595	226	1535	1025	455	1065	460	575	505	180	165	56	85	8300	500
QVPP4	1270	655	685	765	1747	1369	476	666	1617	516	60	595	226	1595	1025	495	1085	480	575	505	180	165	56	85	9100	540
QVPQ4	1270	760	685	870	1989	1490	476	787	1738	637	60	595	226	1635	1025	535	1085	510	575	505	180	165	56	85	10500	625

Type 型号	Shafts Keys 轴键						ISO/R773-1969						
	D-m6	L	X	Y	Z	ZZ	DD-m6	DN max	LD	LV min	XD	YD	ZD
QVPJ4	210	350	50	221	M30	-	58	175	105	12	16	62	M20
QVPK4	230	410	50	241	M30	-	58	175	105	12	16	62	M20
QVPL4	250	410	56	262	M30	-	65	-	105	-	18	69	M20
QVPM4	270	470	63	282	3 x M24	140	65	-	105	-	18	69	M20
QVPN4	300	470	70	314	3 x M24	140	75	-	105	-	20	79,5	M20
QVPP4	320	510	70	334	3 x M24	140	75	-	105	-	20	79,5	M20
QVPQ4	340	550	80	355	3 x M24	250	75	-	105	-	20	79,5	M20



QVP...

Hansen P4

97QU-VP4NK0013 B

mm

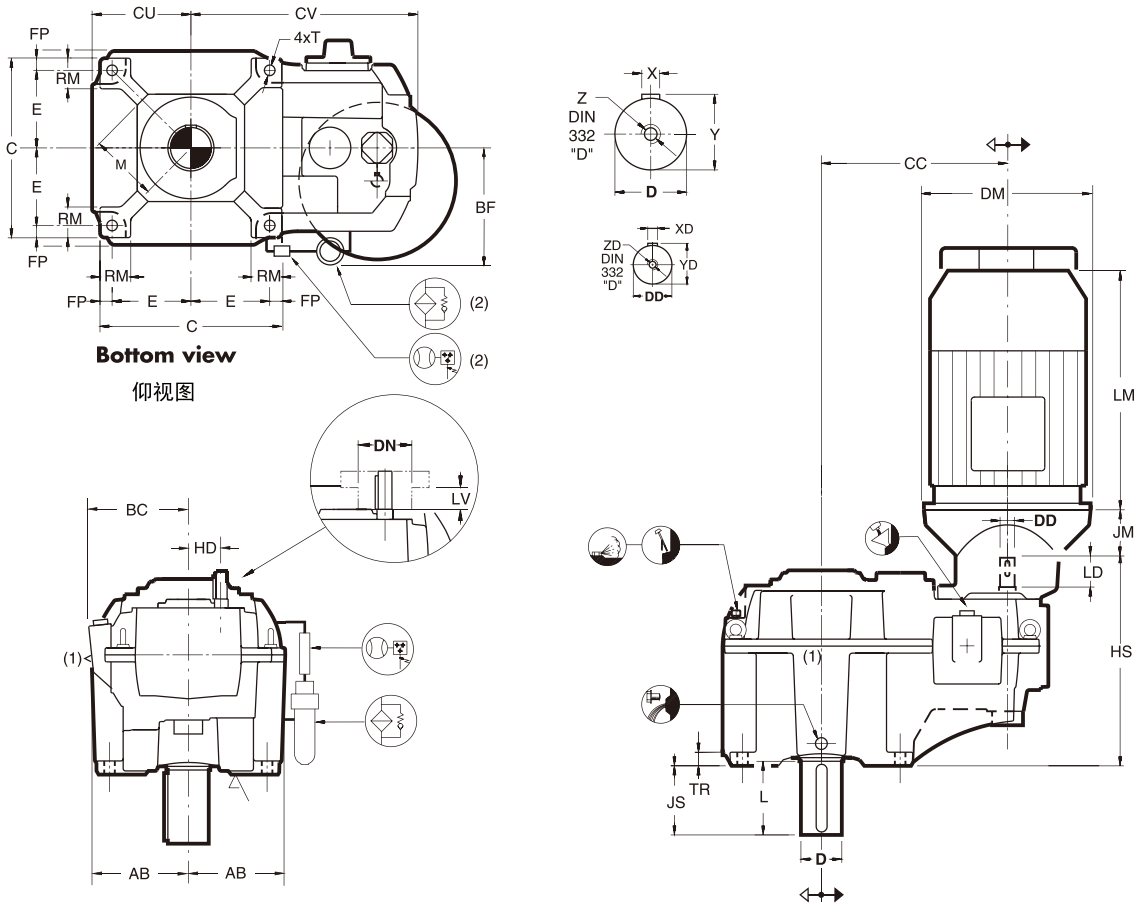
Motor-reducer	电机-减速机
Vertical low speed shaft	垂直低速轴
Parallel shafts	平行轴
Size	规格
Four stages	四级
Option lantern housing	可选用电机法兰式连接

Q
V
P
D ▶ H
4

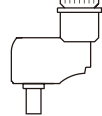
The user is responsible for the provision of safety guards and correct installation of all equipment. Certified dimensions upon request.

用户应正确安装所有设备并提供安全保护装置

可按要求提供详细尺寸



UD



- (1) Grease lubrication point
- (2) Standard for gear units sizes G and H
- (3) Max. dimensions depending on motor execution and motor power
- (4) To be specified separately
- (5) Without motor

Shaft arrangements (front view)

轴布置 (主视图)

Type 型号	AB	BC	BF	C	CC	CU	CV	E	FP	HD	HS	JS	M	RM	T	TR	kg (5)	Litres 公升
QVPD4	285	290	-	530	523	290	660	225	40	109	602	207	195	95	35	40	610	33
QVPE4	320	332	-	600	607	326	749	260	40	109	647	245	225	105	35	45	920	50
QVPF4	365	372	-	690	696	370	852	295	50	126	718	243	265	135	42	52	1320	67
QVPG4	450	455	490	860	800	455	983	375	55	148	735	295	330	150	48	65	1930	102
QVPH4	450	455	490	860	872	455	1055	375	55	148	735	345	330	150	48	65	2050	115

- (1) 黄油润滑点
- (2) 对于减速机 G和H是标准的
- (3) 最大尺寸根据电机功率及型号而定
- (4) 另行确定
- (5) 不带电机

Type 型号	Shafts Keys 轴键											ISO/R773-1969				
	D-m6	L	X	Y	Z	DD-k6	DN max	LD	LV min	XD	YD	ZD				
QVPD4	115	210	32	122	M24	38	-	82	-	10	41	M12				
QVPE4	135	250	36	143	M30	38	-	82	-	10	41	M12				
QVPF4	155	250	40	164	M30	42	120	82	9	12	45	M16				
QVPG4	180	300	45	190	M30	48	155	82	10	14	51,5	M16				
QVPH4	190	350	45	200	M30	48	155	82	10	14	51,5	M16				

MOTOR 电机			Hansen P4										Coupling 联轴器 (4)	
IEC V1	DM	LM (3)	QVPD4		QVPE4		QVPF4		QVPG4		QVPH4			
			CM	JM	CM	JM	CM	JM	CM	JM	CM	JM		
100	250		648	64										
112	250		648	64										
132	300		673	84	757	84	846	84	950	84	1022	84		
160	350		698	115	782	115	871	115	975	115	1047	115		
180	350		698	115	782	115	871	115	975	115	1047	115		
200	400		723	115	807	115	896	115	1000	115	1072	115		
225	450				832	145	921	145	1025	145	1097	145		
250	550						971	145	1075	145	1147	145		
280	550						971	145	1075	145	1147	145		
315	660								1130	175	1202	175		

Hansen P4

Gear unit	减速机
Vertical low speed shaft	垂直低速轴
Right-angle shafts	正交轴
Size	规格
Two stages	二级

Q	P
V	
R	
C ▶ M	
2	

Mechanical power ratings

机械功率

kW

i _N	r.p.m.		Size - 规格														
	n ₁	n ₂	C	D	E	F	G	H	J	K	L	M					
6,3	1800	285	353	516	779	1106	2056										
	1500	240	311	454	649	922	1725										
	1200	190	255	388	519	737	1391										
	1000	160	214	330	433	614	1166										
	900	145	193	301	389	553	1052										
	750	120	162	256	324	461	882										
7,1	1800	255	321	473	779	1106	1819		2724 *		4568 *						
	1500	210	282	416	649	922	1525		2398		4021 *						
	1200	170	235	356	519	737	1229		2051		3439						
	1000	140	198	298	433	614	1030		1734		2902						
	900	125	179	269	389	553	930		1561		2612						
	750	105	150	225	324	461	779		1301		2176						
8	1800	225	301	437	758	974	1670	2078	2627 *		4220 *						
	1500	190	258	384	636	858	1401	1812	2275		3714 *						
	1200	150	212	315	512	712	1128	1460	1820		3177						
	1000	125	180	269	429	593	945	1224	1516		2678						
	900	115	164	245	387	534	853	1105	1365		2410						
	750	94	140	206	324	445	715	926	1137		2009						
9	1800	200	273	401	656	924	1477	1830	2280	2733 *	3751 *	4570 *					
	1500	165	234	352	550	803	1238	1535	2000	2405	3302	4022 *					
	1200	135	189	285	443	647	998	1237	1600	2057	2758	3441					
	1000	110	158	238	371	542	836	1037	1334	1743	2298	2902					
	900	100	143	215	334	489	754	936	1200	1568	2068	2612					
	750	83	119	180	280	409	631	784	1000	1307	1723	2176					
10	1800	180	249	362	603	765	1293	1754	2061	2411 *	3361 *	4221 *					
	1500	150	212	309	503	675	1084	1471	1718	2046	2982	3716 *					
	1200	120	174	254	402	560	872	1185	1374	1637	2403	3116					
	1000	100	148	216	335	469	731	993	1145	1364	2003	2597					
	900	90	135	196	302	422	659	896	1031	1227	1802	2337					
	750	75	115	164	251	351	552	748	859	1023	1502	1948					
11,2	1800	160	226	333	529	729	1143	1486	1918	2287	3166	3753 *					
	1500	135	191	281	443	643	958	1246	1598	2009	2732	3303					
	1200	105	154	226	356	527	771	1004	1279	1607	2186	2758					
	1000	89	129	189	298	441	646	841	1065	1340	1821	2299					
	900	80	116	171	269	398	582	759	959	1206	1639	2069					
	750	67	97	143	225	333	487	635	799	1005	1366	1724					
12,5	1800	145	198	295	471	593	983	1321	1644	1982	2740	3470 *					
	1500	120	168	247	392	505	826	1124	1370	1651	2431	2913					
	1200	96	136	199	314	416	667	908	1096	1321	1945	2330					
	1000	80	114	167	262	354	559	762	913	1101	1621	1942					
	900	72	103	151	235	323	505	689	822	991	1459	1748					
	750	60	86	126	196	275	424	578	685	826	1216	1457					
14	1800	130	180	272	424	567	924	1150	1536	1917	2555	3166					
	1500	105	151	228	355	484	774	964	1280	1598	2181	2733					
	1200	86	122	184	286	398	622	776	1024	1278	1745	2186					
	1000	71	102	153	239	339	521	650	853	1065	1454	1822					
	900	64	92	138	215	309	470	586	768	959	1309	1640					
	750	54	77	116	180	256	393	490	640	799	1091	1366					
16	1800	115	144	210	333	460	735	983	1315	1623	2172	2827					
	1500	94	121	176	280	391	617	826	1096	1352	1935	2356					
	1200	75	97	142	225	316	498	667	876	1082	1567	1885					
	1000	63	82	119	189	265	417	559	730	902	1306	1570					
	900	56	74	107	171	239	377	505	657	811	1175	1413					
	750	47	62	90	143	200	316	424	548	676	979	1178					
18	1800	100	143	210	333	441	735	930	1168	1534	2045	2555					
	1500	83	119	176	280	376	617	778	981	1278	1765	2171					
	1200	67	96	142	225	309	498	626	792	1022	1412	1737					
	1000	56	80	119	188	263	417	524	664	852	1176	1448					
	900	50	72	107	170	234	377	473	600	767	1059	1303					
	750	42	60	90	142	200	316	396	503	639	882	1086					
20	1800	90						735	1035	1302	1802	2273					
	1500	75						617	863	1085	1584	1894					
	1200	60						498	690	868	1271	1516					
	1000	50						417	575	723	1059	1263					
	900	45						377	518	651	953	1137					
	750	38						316	431	543	794	947					
22,4	1800	80						735		1168		2045					
	1500	67						617		981		1753					
	1200	54						498		792		1403					
	1000	45						417		664		1169					
	900	40						377		600		1052					
	750	33						316		503		877					

* Pressure lubrication is required. Refer to us.

* 要求压力润滑 向汉森传动咨询

i_N Nominal ratio
n_{1,2} Nominal speed (rpm)

标称速比
n_{1,2} 标称转速 (rpm)

Hansen P4	Gear unit	减速机			<table border="1"> <tr><td>Q</td></tr> <tr><td>V</td></tr> <tr><td>R</td></tr> <tr><td>C ▶ M</td></tr> <tr><td>2</td></tr> </table>	Q	V	R	C ▶ M	2	P
	Q										
	V										
	R										
	C ▶ M										
2											
Vertical low speed shaft	垂直低速轴										
Right-angle shafts	正交轴										
Size	规格										
Two stages	二级										

Mechanical power ratings 机械功率 **kW**

i_N	r.p.m.		Size - 规格														
	n₁	n₂	C	D	E	F	G	H	J	K	L	M					
25	1800	72											1029		1841		
	1500	60											858		1534		
	1200	48											686		1227		
	1000	40											572		1023		
	900	36											515		920		
	750	30											429		767		

Thermal power ratings 热功率 **P_t kW**

i_N	r.p.m.		Size - 规格															
			C*	D*	E*	F*	G*	H*	J*	K*	L*	M*						
6,3	1800	-	89	120	140	180												
		1	210	310	390	580	610	780	860	900	1200	1300						
	1500	-	96	130	160	210	180	270	210	230								
		1	210	310	400	570	650	800	950	1000	1400	1500						
	1200	-	98	135	165	210	250	320	350	300	500	450						
		1	190	280	370	520	610	730	900	950	1350	1450						
1000	-	98	135	170	230	270	340	400	420	600	660							
	1	170	250	330	470	570	680	850	900	1300	1400							
900	-	98	135	170	230	280	340	410	430	630	700							
	1	160	240	310	450	540	350	800	870	1200	1350							
9	-	95	130	170	220	280	350	430	460	670	730							
	1	145	210	280	400	500	590	750	800	1150	1250							
		P_{tc}*	160	180	215	240	380	420	520	520	1170	1170						
10	1800	-	78	100	130	170	125	185										
		1	170	250	330	480	510	670	770	960	1150	1250						
	1500	-	81	105	140	180	180	250	240	330	340	340						
		1	165	240	320	470	530	690	820	1000	1200	1400						
	1200	-	82	105	145	190	200	270	300	380	430	500						
		1	150	220	280	420	480	620	760	950	1150	1300						
1000	-	79	105	140	190	220	290	350	430	540	610							
	1	135	190	260	370	450	570	710	860	1100	1250							
900	-	79	105	140	190	220	290	350	430	550	630							
	1	125	180	240	350	420	540	680	820	1050	1200							
14	-	75	100	135	180	220	290	360	440	570	660							
	1	110	160	220	320	390	500	620	750	970	1100							
		P_{tc}*	135	150	180	200	310	350	430	430	970	970						
16	1800	-	64	80	110	140	120	160	140	200	180	200						
		1	130	190	260	380	420	510	620	730	940	1000						
	1500	-	65	84	110	150	150	190	210	270	320	350						
		1	130	190	250	370	420	510	640	750	990	1100						
	1200	-	64	85	115	155	160	210	250	290	370	420						
		1	115	170	220	330	380	460	600	700	900	1000						
1000	-	61	81	110	150	180	220	280	330	440	480							
	1	100	145	200	300	350	420	550	630	860	940							
900	-	60	81	110	150	180	220	280	330	440	490							
	1	95	140	190	280	330	390	520	600	830	900							
25	-	57	76	105	140	180	220	280	330	450	500							
	1	84	120	170	250	300	360	480	550	760	820							
		P_{tc}*	135	150	180	200	310	350	430	430	970	970						

Number of fans.
Correction factors - see p. A9

P_{tc}* Additional thermal power with cooling coil - see p. A9
To be applied only if basic thermal power ratings are listed.

* Applies only for standard shaft arrangement CU. For shaft arrangement CD, multiply these thermal power ratings by a factor 0,55 (without extra cooling) or 0,83 (with extra cooling).

风扇数量
修正系数参见A21页

P_{tc}* 带冷却盘管的附加热功率见A21页
仅选用列于表中基本热功率

* 满足于标准CU轴布置。对于CD轴布置，热功率参数应乘系数0.55。（不带附加冷却）或0.83（带附加冷却）

i_N Nominal ratio
n_{1,2} Nominal speed (rpm)

i_N 标称速比
n_{1,2} 标称转速 (rpm)

QVR...
(kW)

Hansen P4

Gear unit	减速机
Vertical low speed shaft	垂直低速轴
Right-angle shafts	正交轴
Size	规格
Three stages	三级

Q	P
V	
R	
C ▶ T	
3	

Mechanical power ratings

机械功率

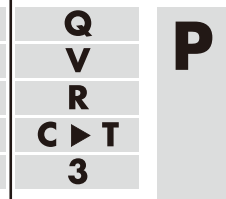
kW

i _N	r.p.m.		Size - 规格																	
	n ₁	n ₂		C	D	E	F	G	H	J	K	L	M	N	P	Q	R	S	T	
20	1800	90		137	218	340	511	779												
	1500	75		117	186	299	426	649												
	1200	60		97	154	240	341	519												
	1000	50		83	129	200	284	433												
	900	45		75	117	180	255	389												
	750	38		63	98	150	213	324												
22,4	1800	80		122	198	313	452	704		1106										
	1500	67		104	169	261	377	589		922										
	1200	54		87	140	209	301	473		737										
	1000	45		77	120	174	251	396		614										
	900	40		71	108	157	226	357		553										
	750	33		59	90	130	188	298		461										
25	1800	72		112	177	286	406	645	779	1061		1749		2781 *				4375 *		
	1500	60		95	151	238	339	540	649	888		1482		2448				3851 *		
	1200	48		82	126	191	271	434	519	713		1185		1986				3213		
	1000	40		70	106	159	226	363	433	597		988		1655				2737		
	900	36		64	95	143	203	327	389	538		889		1490				2495		
	750	30		54	80	119	169	273	324	450		741		1241				2125		
28	1800	64		100	161	249	359	562	711	893	1106	1612		2659 *	2781 *			4063 *	4374 *	
	1500	54		87	138	208	300	470	592	747	922	1347		2247	2448			3563 *	3850 *	
	1200	43		74	113	166	240	378	474	600	737	1077		1808	1986			2928	3213	
	1000	36		63	95	138	200	316	395	502	614	898		1507	1655			2494	2737	
	900	32		56	85	125	180	285	355	453	553	808		1356	1490			2273	2494	
	750	27		47	71	104	150	238	296	378	461	673		1130	1241			1936	2125	
31,5	1800	57		92	146	232	321	519	650	826	1106	1433	1747	2326	2659 *			3639 *	4063 *	4373 *
	1500	48		81	126	193	268	434	542	691	922	1194	1488	1954	2247			3102	3563 *	3849 *
	1200	38		66	102	154	214	348	434	555	737	955	1223	1564	1808			2549	2927	3212
	1000	32		56	85	129	178	291	361	464	614	796	1042	1303	1507			2171	2494	2736
	900	28,5		51	76	116	161	262	325	418	553	717	940	1173	1356			1979	2273	2494
	750	24		43	64	97	134	219	271	350	461	597	783	977	1130			1686	1936	2124
35,5	1800	51		83	133	202	284	452	565	726	945	1302	1611	2096	2326	2781 *	3318 *	3638 *	4062 *	
	1500	42		74	113	168	237	378	471	607	787	1085	1372	1747	1954	2448	2826	3102	3562 *	
	1200	34		59	91	134	189	303	377	488	630	868	1128	1397	1564	1986	2322	2549	2927	
	1000	28		50	76	112	158	254	314	408	525	724	949	1164	1303	1655	1978	2171	2493	
	900	25,5		45	68	101	142	229	283	368	472	651	854	1048	1173	1490	1803	1979	2272	
	750	21		37	57	84	118	191	236	307	394	543	712	873	977	1241	1506	1673	1936	
40	1800	45		77	121	182	259	416	520	672	863	1100	1445	1897	2096	2659 *	3020	3318 *	3637 *	
	1500	38		66	101	152	216	347	434	562	719	916	1231	1581	1747	2247	2572	2826	3101	
	1200	30		54	81	121	173	279	347	451	576	733	1010	1265	1397	1808	2114	2322	2548	
	1000	25		46	68	101	144	233	289	377	480	611	842	1054	1164	1507	1800	1978	2170	
	900	22,5		41	61	91	130	210	260	340	432	550	758	949	1048	1356	1641	1803	1978	
	750	19		35	51	76	108	175	217	284	360	458	631	791	873	1130	1373	1503	1685	
45	1800	40		72	108	158	229	362	452	578	765	999	1333	1663	1897	2326	2734	3020	3317 *	
	1500	33		60	90	132	191	303	377	483	638	833	1135	1386	1581	1954	2344	2572	2826	
	1200	26,5		48	73	106	153	243	301	388	510	666	918	1109	1265	1564	1926	2113	2322	
	1000	22		40	61	88	127	203	251	324	425	555	765	924	1054	1303	1625	1800	1978	
	900	20		36	55	79	115	183	226	292	383	500	689	832	949	1173	1463	1622	1802	
	750	16,5		30	46	66	96	153	188	244	319	416	574	693	791	977	1219	1352	1506	
50	1800	36		63	93	143	203	327	415	535	699	883	1145	1507	1663	2096	2478	2751	3019	
	1500	30		54	78	119	169	273	346	447	582	736	969	1256	1386	1747	2110	2343	2572	
	1200	24		43	63	95	135	219	277	359	466	588	775	1005	1109	1397	1734	1926	2113	
	1000	20		36	53	79	113	183	231	300	388	490	646	837	924	1164	1467	1620	1800	
	900	18		33	48	72	102	165	208	270	349	441	581	754	832	1048	1321	1458	1640	
	750	15		27	40	60	85	138	173	226	291	368	484	628	693	873	1100	1215	1373	
56	1800	32		58	85	125	180	270	361	463	606	802	1055	1329	1507	1897	2257	2477	2751	
	1500	27		48	71	104	150	230	301	387	505	668	880	1108	1256	1581	1923	2110	2343	
	1200	21,5		39	57	83	120	188	241	310	404	535	704	886	1005	1265	1571	1727	1925	
	1000	18		32	48	69	100	160	200	259	337	446	587	738	837	1054	1309	1440	1625	
	900	16		29	43	62	90	144	180	234	303	401	528	665	754	949	1178	1296	1463	
	750	13,5		24	36	52	75	120	150	195	253	334	440	554	628	791	982	1080	1219	
63	1800	28,5		46	63	98	149	218	325	428	554	714	933	1168	1329	1663	2042	2257	2477	
	1500	24		38	52	82	124	182	271	357	462	595	778	980	1108	1386	1740	1923	2110	
	1200	19		31	42	66	100	146	217	287	369	476	622	784	886	1109	1425	1553	1734	
	1000	16		26	35	55	83	122	181	240	308	397	519	653	738	924	1188	1294	1467	
	900	14,5		23	32	49	75	110	163	216	277	357	467	588	665	832	1069	1164	1321	
	750	12		19	26	41	63	92	135	180	231	297	389	490	554	693	891	970	1100	
71	1800	25,5		38	55	85	130	192	283	355	466	649	848	1046	1168	1507				

Hansen P4

Gear unit
Vertical low speed shaft
Right-angle shafts
Size
Three stages

减速机
垂直低速轴
正交轴
规格
三级



Mechanical power ratings

机械功率

kW

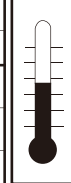
i _N	r.p.m.		Size - 规格																
	n ₁	n ₂	C	D	E	F	G	H	J	K	L	M	N	P	Q	R	S	T	
80	1800	22,5	36	52	79	119	170		301	441	521	735		1046	1329		1861	2042	
	1500	19	30	43	66	100	142		252	368	435	617		872	1108		1558	1739	
	1200	15	24	35	53	80	114		202	294	349	498		698	886		1246	1425	
	1000	12,5	19,9	29	44	67	95		169	245	292	417		581	738		1039	1188	
	900	11,5	17,9	26	40	60	86		152	221	263	377		523	665		935	1069	
	750	9,4	15	22	33	50	72		126	184	220	314		436	554		779	891	
90	1800	20	29	45	68	104	150		292		458	686			1168			1860	
	1500	16,5	25	38	57	87	126		244		390	571			980			1585	
	1200	13,5	19,7	30	45	70	101		195		319	457			784			1274	
	1000	11	16,5	25	38	58	84		162		266	381			653			1062	
	900	10	14,8	23	34	52	76		146		240	343			588			956	
	750	8,3	12,4	18,9	29	44	63		122		200	286			490			796	
100	1800	18							245		418				1071				
	1500	15							204		349				892				
	1200	12							164		280				714				
	1000	10							137		234				595				
	900	9							123		211				535				
	750	7,5							103		176				446				

Thermal power ratings

热功率

P_t kW

i _N	r.p.m. n ₁	✂	Size - 规格																
			C	D	E	F	G	H	J	K	L	M	N	P	Q	R	S	T	
20 ↓ 31,5	1800	-	63	81	105	140	210	230	240	260	280	300	260	270			1000	1050	1100
	1500	-	62	81	110	140	210	230	250	270	320	340	350	370					
	1200	-	59	79	105	140	210	230	250	270	340	350	400	430			1150	1200	1300
	1000	-	57	76	105	140	200	220	250	270	340	360	420	450			1100	1200	1250
	900	-	55	74	100	135	200	220	240	260	340	360	420	450			1050	1150	1200
	750	-	53	71	96	130	190	210	240	260	330	350	420	450			1050	1100	1150
		1	76	100	135	200	290	310	400	430	560	590	710	750			950	1000	1050
		P _{tc} ⁺		67	66	100	115	350	370	370	370	830	830						
	35,5 ↓ 56	1800	-	50	64	86	115	170	200	210	240	260	290	300	320	330		980	1050
1500		-	48	63	85	110	170	200	210	240	280	320	340	370	400	310	330	340	
1200		-	45	60	82	110	160	190	210	240	290	330	360	390	440	410	440	470	
1000		-	43	58	78	105	160	190	200	230	290	330	370	400	450	450	490	530	
900		-	42	56	76	105	150	180	200	230	290	330	360	400	450	460	500	540	
750		-	39	53	72	98	145	170	190	220	280	320	360	390	440	470	510	550	
		1	56	75	100	150	210	260	320	370	460	520	600	640	730	800	870	940	
		P _{tc} ⁺		52	51	79	89	270	285	285	285	650	650						
63 ↓ 100		1800	-	41	55	73	93	140	165	175	200	210	250	270	300	330	200	220	250
	1500	-	39	54	71	92	135	160	175	200	230	260	290	320	350	290	320	350	
	1200	-	36	51	68	89	130	155	170	200	230	270	300	330	360	350	390	410	
	1000	-	34	48	65	85	125	150	165	190	230	260	300	330	360	380	410	440	
	900	-	33	47	63	83	120	145	160	190	220	260	300	330	360	380	420	440	
	750	-	31	44	59	79	115	140	150	175	210	250	290	320	350	380	420	440	
		1	44	62	82	120	170	200	250	290	350	400	480	520	570	650	700	740	
		P _{tc} ⁺		47	46	71	80	245	260	255	260	580	580						



✂ Number of fans. Correction factors - see p. A9

✂ 风扇数量 修正系数参见A21页

P_{tc}⁺ Additional thermal power with cooling coil - see p. A9
To be applied only if basic thermal power ratings are listed.

P_{tc}⁺ 带冷却盘管的附加热功率见A21页
仅选用列于表中基本热功率

i_N Nominal ratio
n_{1,2} Nominal speed (rpm)

i_N 标称速比
n_{1,2} 标称转速 (rpm)

QVR... (kW)

Hansen P4

Gear unit	减速机
Vertical low speed shaft	垂直低速轴
Right-angle shafts	正交轴
Size	规格
Four stages	四级

Q	P
V	
R	
D ▶ T	
4	

Mechanical power ratings

机械功率

kw

i _N	r.p.m.		Size - 规格															
	n ₁	n ₂	D	E	F	G	H	J	K	L	M	N	P	Q	R	S	T	
80	1800	22,5	61	92	128	204	258	332		581		899			1316			
	1500	19	51	77	106	171	215	277		484		764			1159			
	1200	15	41	61	85	137	172	223		387		611			993			
	1000	12,5	34	51	71	114	144	186		323		510			874			
	900	11,5	31	46	64	103	129	168		290		459			812			
	750	9,4	26	38	53	86	108	140		242		382			702			
90	1800	20	55	80	113	178	225	297	383	505		846	906		1314	1316		
	1500	16,5	46	67	94	148	187	248	319	421		706	764		1157	1159		
	1200	13,5	37	53	75	119	150	199	255	336		565	611		991	993		
	1000	11	31	44	63	99	125	166	213	280		470	510		833	874		
	900	10	28	40	56	90	112	150	192	252		423	459		750	812		
	750	8,3	23	33	47	75	94	125	160	210		353	382		625	702		
100	1800	18	49	73	100	163	202	274	339	446	606	763	845		1129	1313	1316	
	1500	15	41	60	83	136	168	229	282	372	512	638	706		994	1157	1159	
	1200	12	33	48	67	109	134	184	226	297	409	511	565		851	991	993	
	1000	10	27	40	56	91	112	153	188	248	341	426	470		741	833	874	
	900	9	24	36	50	82	101	138	169	223	307	383	423		667	750	812	
	750	7,5	20	30	42	68	84	115	141	186	256	319	353		556	625	701	
112	1800	16	44	63	89	142	175	237	308	405	534	680	762	904	1129	1275	1313	
	1500	13,5	36	53	74	118	146	198	256	338	445	581	638	764	968	1123	1157	
	1200	10,5	29	42	59	95	117	159	205	270	356	465	511	611	796	908	991	
	1000	8,9	24	35	49	79	97	132	171	225	296	387	426	510	670	757	827	
	900	8	22	32	44	71	88	119	154	203	267	349	383	459	603	681	744	
	750	6,7	18,3	26	37	60	73	100	128	169	222	291	319	382	503	568	620	
125	1800	14,5	32	57	80	132	160	219	281	355	472	593	680	843	937	1129	1275	
	1500	12	27	48	67	110	134	183	234	296	393	494	581	706	825	994	1123	
	1200	9,6	21	38	53	88	107	147	187	237	315	395	465	565	706	804	901	
	1000	8	17,7	32	45	74	89	122	156	197	262	329	387	470	598	670	751	
	900	7,2	16	29	40	67	80	110	141	177	236	297	349	423	538	603	676	
	750	6	13,3	24	33	56	67	92	117	148	197	247	291	353	448	502	563	
140	1800	13	28	50	71	115	139	188	245	323	429	540	593	761	937	936	1129	
	1500	10,5	23	42	59	96	116	157	204	269	357	450	494	638	801	825	968	
	1200	8,6	18,5	33	47	77	93	126	163	215	286	360	395	511	648	706	796	
	1000	7,1	15,4	28	39	64	77	105	136	179	238	300	329	426	540	597	669	
	900	6,4	13,9	25	35	58	70	95	122	161	214	270	297	383	486	537	602	
	750	5,4	11,6	21	30	48	58	79	102	134	179	225	247	319	405	448	502	
160	1800	11,5	26	46	64	104	130	173	224	284	375	480	540	678	833	936	1053	
	1500	9,4	22	38	53	87	108	145	186	237	313	400	450	581	703	810	914	
	1200	7,5	17,5	31	43	70	87	116	149	189	250	320	360	465	562	648	731	
	1000	6,3	14,6	26	35	58	72	97	124	158	208	267	300	387	468	540	610	
	900	5,6	13,1	23	32	52	65	87	112	142	188	240	270	349	422	486	549	
	750	4,7	10,9	19	27	44	54	73	93	118	156	200	225	291	351	405	457	
180	1800	10	23	40	56	91	113	152	194	258	341	421	480	593	745	833	936	
	1500	8,3	19	33	47	76	94	127	161	215	284	351	400	494	622	702	801	
	1200	6,7	15,2	27	38	61	75	102	129	172	227	280	320	395	497	562	647	
	1000	5,6	12,7	22	31	51	63	85	108	143	189	234	267	329	414	468	539	
	900	5	11,4	20	28	46	56	76	97	129	171	210	240	297	373	421	485	
	750	4,2	9,5	16,7	23	38	47	64	81	108	142	175	200	247	311	351	404	
200	1800	9	21	37	50	82	102	140	177	227	300	381	437	540	624	715	833	
	1500	7,5	17,2	31	42	68	85	117	147	189	250	317	364	450	542	620	702	
	1200	6	13,8	25	33	55	68	94	118	151	200	254	291	360	442	496	561	
	1000	5	11,5	21	28	46	57	78	98	126	167	211	243	300	368	414	468	
	900	4,5	10,4	18,5	25	41	51	71	88	113	150	190	219	270	331	372	421	
	750	3,8	8,7	15,4	21	34	43	59	74	94	125	159	182	225	276	310	351	
224	1800	8	18	32	44	71	89	119	156	206	273	346	381	480	599	676	715	
	1500	6,7	15	27	37	60	74	100	130	172	227	289	317	400	499	564	615	
	1200	5,4	12	21	30	48	59	80	104	137	182	231	254	320	399	451	492	
	1000	4,5	10	17,9	25	40	49	67	87	114	152	192	211	267	333	376	410	
	900	4	9	16,1	22	36	44	60	78	103	136	173	190	240	299	338	369	
	750	3,3	7,5	13,4	18,5	30	37	50	65	86	114	144	159	200	249	282	308	
250	1800	7,2	16,7	26	37	66	80	110	143	177	240	303	346	437	517	598	671	
	1500	6	13,9	21	31	55	67	92	119	148	200	253	289	364	441	499	559	
	1200	4,8	11,1	17,2	25	44	53	74	95	118	160	202	231	291	357	399	447	
	1000	4	9,3	14,3	21	37	45	62	79	99	133	168	192	243	298	332	373	
	900	3,6	8,4	12,9	18,7	33	40	55	71	89	120	152	173	219	268	299	336	
	750	3	7	10,8	15,6	28	33	46	59	74	100	126	144	182	223	249	280	
280	1800	6,4	14,5	22	32	57	70	96	122	161	218	276	303	381	484	517	598	
	1500	5,4	12,1	18,5	27	48	58	80	102	134	181	230	253	317	403	441	498	
	1200	4,3	9,7	14,8	22	38	46	64	82	108	145	184	202	254	323	357	399	
	1000	3,6	8,1	12,4	18,1	32	39	53	68	90	121	153	168	211	269	297	332	
	900	3,2	7,3	11,1	16,3	29	35	48	61	81	109	138	152	190	242	268	299	
	750	2,7	6,1	9,3	13,6	24	29	40	51	67	91	115	126	159	202	223	249	

i_N Nominal ratio
n_{1,2} Nominal speed (rpm)

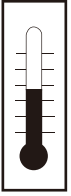
Hansen P4	Gear unit	减速机			<table border="1"> <tr><td>Q</td></tr> <tr><td>V</td></tr> <tr><td>R</td></tr> <tr><td>D ▶ T</td></tr> <tr><td>4</td></tr> </table>	Q	V	R	D ▶ T	4	P
	Q										
	V										
	R										
	D ▶ T										
4											
Vertical low speed shaft	垂直低速轴										
Right-angle shafts	正交轴										
Size	规格										
Four stages	四级										

Mechanical power ratings 机械功率 **kW**

i _N	r.p.m.		Size - 规格																	
	n ₁	n ₂	D	E	F	G	H	J	K	L	M	N	P	Q	R	S	T			
315	1800	5,7				13,4	20	31	44	64	88	112	131	188	246	276	346	429	484	541
	1500	4,8				11,2	16,7	25	36	53	74	93	109	156	205	230	289	357	403	452
	1200	3,8				9	13,4	20	29	43	59	75	88	125	164	184	231	286	323	362
	1000	3,2				7,5	11,2	17	24	36	49	62	73	104	136	153	192	238	269	301
	900	2,85				6,7	10,1	15,3	22	32	44	56	66	94	123	138	173	214	242	271
	750	2,4				5,6	8,4	12,8	18,3	27	37	47	55	78	102	115	144	179	202	226
355	1800	5,1				11,7	17,3	27	39	56	72	98	116	171	224	246	303	388	429	483
	1500	4,2				9,7	14,4	22	32	46	60	82	97	142	186	205	253	323	357	403
	1200	3,4				7,8	11,6	17,8	26	37	48	65	77	114	149	164	202	258	286	322
	1000	2,8				6,5	9,6	14,9	21	31	40	54	65	95	124	136	168	215	238	269
	900	2,55				5,9	8,7	13,4	19,4	28	36	49	58	85	112	123	152	194	214	242
	750	2,1				4,9	7,2	11,2	16,1	23	30	41	48	71	93	102	126	161	179	201
400	1800	4,5					16,1	24	34		61	89	103	127		224	276		387	428
	1500	3,8					13,4	20	28		51	75	85	106		186	230		323	357
	1200	3					10,7	16,3	23		41	60	68	85		149	184		258	285
	1000	2,5					8,9	13,6	19		34	50	57	71		124	153		215	238
	900	2,25					8,1	12,3	17,1		31	45	51	64		112	138		194	214
	750	1,9					6,7	10,2	14,3		26	37	43	53		93	115		161	178
450	1800	4					13,9	21	30		59	72	93	116			246			387
	1500	3,3					11,6	17,8	25		49	60	77	97			205			322
	1200	2,65					9,3	14,3	20		39	48	62	77			164			258
	1000	2,2					7,7	11,9	16,8		33	40	52	65			136			215
	900	2					7	10,7	15,1		30	36	46	58			123			193
	750	1,65					5,8	8,9	12,6		25	30	39	48			102			161
500	1800	3,6									50	59	83	99			224			
	1500	3									42	49	69	83			186			
	1200	2,4									33	39	55	66			149			
	1000	2									28	33	46	55			124			
	900	1,8									25	29	41	50			112			
	750	1,5									21	25	35	41			93			

Thermal power ratings 热功率 **P_t kW**

i _N	r.p.m.	n ₁	⌘	Size - 规格																
				D	E	F	G	H	J	K	L	M	N	P	Q	R	S	T		
80 ↓ 125	1800	-				49	64	88	130	150	130	150	190	170	280	300	320	370	410	440
	1500	-				47	61	85	120	145	140	155	200	190	280	300	320	370	410	430
	1200	-				44	58	81	120	135	140	155	200	200	270	290	320	370	400	420
	1000	-				42	55	77	110	130	140	150	200	200	260	280	300	360	390	410
	900	-				41	53	75	110	125	135	150	190	200	260	270	290	350	380	400
	750	-				39	50	70	100	120	130	145	190	190	250	260	280	340	370	390
		P _{tc} *				38	59	67	205	215	215	215	485	485						
140 ↓ 250	1800	-				40	49	67	96	110	115	125	160	170	220	240	280	270	290	320
	1500	-				39	47	64	92	110	115	125	160	180	220	240	280	300	330	
	1200	-				37	44	60	87	100	110	125	160	180	210	230	270	280	300	330
	1000	-				35	42	57	82	98	105	120	160	170	200	220	260	270	300	330
	900	-				34	40	56	80	95	105	120	150	170	200	220	250	270	290	320
	750	-				33	38	53	75	89	98	115	145	165	190	210	240	260	280	310
		P _{tc} *				33	51	57	175	185	185	185	415	415						
280 ↓ 500	1800	-				33	40	54	75	88	91	100	135	150	180	200	220	230	240	260
	1500	-				32	38	52	72	85	89	99	130	150	180	190	210	230	240	260
	1200	-				30	36	50	68	80	86	94	125	140	170	180	200	230	240	260
	1000	-				29	34	47	65	76	82	90	120	135	165	180	190	220	230	250
	900	-				29	33	46	63	73	80	88	115	130	160	170	190	220	230	250
	750	-				27	32	44	60	69	76	83	110	125	150	160	180	210	220	240
		P _{tc} *				29	44	50	155	160	160	160	365	365						



⌘ Refer to us

⌘ 向汉森传动咨询

P_{tc}* Additional thermal power with cooling coil - see p. A9
To be applied only if basic thermal power ratings are listed.

P_{tc}* 带冷却盘管的附加热功率见A21页
仅选用列于表中基本热功率

i_N Nominal ratio
n_{1,2} Nominal speed (rpm)

i_N 标称速比
n_{1,2} 标称转速 (rpm)

QVR... (kW)

Hansen P4

Gear unit	减速机				Q V R A ▶ T 2 ▶ 4	i_{ex}
Vertical low speed shaft	垂直低速轴					
Right-angle shafts	正交轴					
Size	规格					
Gear sets	级数					

Exact ratios **i_{ex}** 精确传动比 **i_{ex}**

i_N	Size - 规格																	
	A	B	C	D	E	F	G	H	J	K	L	M	N	P	Q	R	S	T
6,3			6,2701	6,4572	6,1765	6,4323	6,4063											
7,1			7,2059	7,2995	7,1061	6,9667	7,0498		7,1317		6,9521							
8			7,8824	8,1176	7,7647	8,3097	7,9484	8,0817	7,8466		7,7354							
9			9,0588	9,1765	8,9333	9	8,7468	8,905	9,0599	8,8393	9,0457	8,6167						
10			9,737	10,266	9,7059	10,263	10,359	10,027	9,9681	10,145	10,065	9,6938						
11,2			11,19	11,606	11,167	11,116	11,4	11,049	11,199	11,229	11,19	11,212						
12,5			12,387	12,718	12,165	12,949	12,904	13,069	12,322	12,888	12,451	12,613						
14			14,235	14,376	13,996	14,025	14,201	14,4	14,096	13,881	14,013	13,87						
16			15,765	16,235	15,529	16,25	15,96	16,279	15,509	15,932	15,592	15,603						
18			18,118	18,353	17,867	17,6	17,563	17,938	18,067	17,471	17,454	17,368						
20								20,134	19,878	20,051	19,421	19,539						
22,4								22,185		22,393		21,633						
25									25,701		24,338							
20			19,342	19,597	19,548	20,131	19,619											
22,4			22,25	21,902	22,465	22,757	22,572		23,081									
25			24,5	24,941	24,574	25,308	24,664	25,069	24,998		25,225	25,199				24,767		
28			28,183	27,875	28,242	28,609	28,376	28,842	29,817	28,756	27,758		27,725	29,002		27,557	28,243	
31,5			31,033	31,176	30,357	32,007	30,83	31,516	32,294	31,145	31,297	31,631	32,012	31,91		32,225	31,425	31,719
35,5			35,698	34,844	34,887	36,182	35,471	36,259	36,827	37,149	34,441	34,808	35,221	36,844	36,134	35,856	36,748	35,293
40			38,5	39,193	38,617	39,649	38,641	39,394	39,886	40,235	40,79	39,245	39,571	40,537	39,756	39,865	40,889	41,271
45			44,288	43,804	44,381	44,821	44,456	45,324	46,465	45,882	44,888	43,187	43,538	45,544	45,903	44,357	45,46	45,921
50			47,979	49,882	49,149	50,616	49,329	49,374	50,325	49,694	50,811	51,149	49,804	50,11	50,505	49,922	50,583	51,055
56			55,192	55,751	56,484	57,218	56,753	56,805	58,309	57,891	55,915	56,288	54,797	57,322	56,744	55,547	56,928	56,808
63			60,933	65,843	62,98	64,145	64,188	63,031	63,153	62,7	62,842	63,716	63,837	63,069	62,432	62,18	63,343	63,935
71			70,027	74,431	72,459	69,474	70,635	72,518	70,066	72,647	69,154	70,116	70,236	73,472	71,418	69,187	70,908	71,139
80			78,21	80,275	78,682	80,234	82,266		77,09	78,682	78,667	78,802		80,838	78,577		78,897	79,635
90			89,884	90,745	90,524	86,9	90,529		86,531		88,327	86,717			91,539			88,608
100									95,206		98,28				100,72			
80				77,725	76,582	80,644	79,567	79,341	81,658		77,251		81,551			80,035		
90				86,869	88,012	91,163	91,543	91,183	91,543	89,999	88,878		88,326	93,861		89,863	91,268	
100				98,452	97,004	102,64	100,03	101,67	99,149	101,74	100,52	96,871	97,995	101,66		101,1	102,47	102,5
112				110,03	111,48	116,03	115,08	116,97	115,08	114,05	110,62	111,45	107,82	112,79	116,94	112,49	112,77	115,09
125				129,95	122,87	128,3	123,56	127,81	124,64	123,53	126,37	126,05	126,6	124,09	126,66	125,44	128,28	126,65
140				146,9	141,21	145,03	142,16	147,05	145,55	143,38	139,06	138,71	139,29	145,7	140,52	139,57	143,04	144,07
160				158,44	152,44	161,29	157,19	157,89	157,64	155,29	157,96	158,46	156,36	160,31	154,61	159,91	159,16	157,13
180				179,1	175,19	182,33	180,84	181,65	180,3	181,34	173,83	174,38	177,82	179,96	181,53	181,91	182,36	178,75
200				200,69	189,97	205,28	200,06	200,85	195,28	196,4	197,98	198,08	197,28	198	199,73	203,65	206,42	204,8
224				226,86	218,32	232,05	230,16	231,08	230,17	224,63	217,87	217,98	217,06	227,06	224,21	226,6	227,16	231,83
250				248,97	243,43	260,14	249,93	255,63	249,29	243,29	252,74	248,26	247,57	249,82	246,69	251,87	258,4	255,11
280				281,45	280,06	281,75	287,55	294,1	287,9	286,76	278,13	273,2	272,38	284,93	282,89	280,25	287,22	290,21
315				310,27	312,45	317,16	325,22	319,36	311,82	310,59	316,38	316,93	305,74	313,5	311,25	314,67	319,58	315,52
355				350,74	359,48	343,51	357,89	367,42	345,95	358,69	364,43	348,76	336,39	351,89	355	350,12	358,83	358,92
400					390,35	396,71	416,81		380,63	388,49	405,49	396,48		387,17	390,59		399,26	402,99
450					449,1	429,67	458,68		427,25	428,78	455,29	451,69			438,43			448,4
500									470,08	492,13	506,59	508,15			482,38			

Three stages 三级
i_N Nominal ratio **i_N** 标称速比

Hansen P4

Gear unit	减速机				Q	J kgm ²
Vertical low speed shaft	垂直低速轴				V	
Right-angle shafts	正交轴				R	
Size	规格				A ▶ T	
Gear sets	级数				2 ▶ 4	

Moments of inertia J related to the HSS

与HSS相关的转动惯量

i _N	Size - 规格																	
	A	B	C	D	E	F	G	H	J	K	L	M	N	P	Q	R	S	T
6,3			0,0554	0,117	0,213	0,406	1,03											
7,1			0,0522	0,111	0,2	0,391	0,992		2,29		6,24							
8			0,0426	0,0872	0,175	0,303	0,697	1,18	2,21									
9			0,0406	0,0837	0,167	0,293	0,675	1,1	1,53	2,56	3,89	7,03						
10			0,0305	0,0576	0,112	0,201	0,433	0,798	1,48	2,32	3,76	6,62						
11,2			0,0292	0,0554	0,106	0,195	0,42	0,745	1,06	1,7	2,66	4,36						
12,5			0,0212	0,0419	0,0742	0,133	0,301	0,492	1,02	1,55	2,57	4,12						
14			0,0203	0,0405	0,0707	0,129	0,293	0,461	0,714	1,17	1,74	2,96						
16			0,0164	0,0324	0,0535	0,0971	0,233	0,34	0,693	1,07	1,68	2,81						
18			0,0159	0,0316	0,0513	0,0947	0,227	0,319	0,525	0,784	1,26	1,93						
20								0,258	0,513	0,721	1,23	1,83						
22,4								0,245		0,568		1,39						
25									0,53		1,32							
20			0,0137	0,0296	0,06	0,128	0,234											
22,4			0,0126	0,0278	0,0555	0,12	0,215		0,452									
25			0,0104	0,0218	0,0455	0,094	0,188	0,247	0,43		1,14		2,52			6,98		
28			0,0097	0,0207	0,0427	0,0891	0,177	0,225	0,33	0,476	1,08		2,4	2,58		6,63	7,13	
31,5			0,0076	0,0167	0,0324	0,0618	0,12	0,197	0,317	0,45	0,768	1,19	1,68	2,45		4,36	6,76	7,3
35,5			0,0072	0,016	0,0306	0,0588	0,112	0,183	0,219	0,344	0,734	1,13	1,6	1,71	2,7	4,15	4,45	6,89
40			0,0055	0,0122	0,0223	0,0446	0,0794	0,125	0,21	0,329	0,475	0,804	1,15	1,63	2,55	2,98	4,23	4,55
45			0,0052	0,0117	0,0212	0,0427	0,0747	0,116	0,144	0,228	0,455	0,764	1,1	1,18	1,79	2,85	3,04	4,31
50			0,0043	0,0097	0,0171	0,0341	0,0567	0,0829	0,138	0,218	0,328	0,496	0,774	1,12	1,69	1,96	2,9	3,11
56			0,0042	0,0094	0,0164	0,0329	0,0538	0,0773	0,104	0,15	0,315	0,472	0,743	0,789	1,22	1,88	2	2,95
63			0,0042	0,0094	0,0165	0,0333	0,054	0,0588	0,101	0,143	0,25	0,342	0,562	0,756	1,16	1,43	1,91	2,04
71			0,0042	0,0094	0,0163	0,0332	0,0537	0,0554	0,101	0,108	0,242	0,327	0,543	0,572	0,82	1,38	1,46	1,94
80			0,0039	0,009	0,0156	0,0314	0,0501		0,1	0,104	0,241	0,259		0,551	0,781		1,4	1,48
90			0,0039	0,009	0,0155	0,0313	0,0499		0,0939		0,227	0,249			0,591			1,42
100									0,0934		0,225				0,567			
80				0,0091	0,0123	0,0265	0,0525	0,0538	0,113		0,227		0,44			1,23		
90				0,009	0,012	0,026	0,0514	0,0485	0,114	0,114	0,205		0,415	0,422		1,12	1,15	
100				0,0072	0,0094	0,0196	0,0399	0,0483	0,113	0,105	0,204	0,233	0,412	0,396		1,06	1,03	1,16
112				0,0071	0,0092	0,0193	0,0392	0,047	0,084	0,106	0,201	0,21	0,404	0,393	0,434	1,04	0,97	1,05
125				0,0071	0,007	0,0152	0,0288	0,0404	0,0831	0,104	0,163	0,208	0,297	0,384	0,406	0,734	0,952	0,981
140				0,0071	0,0069	0,015	0,0284	0,0395	0,0564	0,0849	0,161	0,204	0,292	0,299	0,401	0,721	0,74	0,96
160				0,007	0,0052	0,0114	0,0204	0,0292	0,0559	0,0839	0,105	0,165	0,2	0,294	0,391	0,473	0,726	0,744
180				0,007	0,0052	0,0113	0,0202	0,0286	0,0417	0,057	0,104	0,162	0,136	0,202	0,304	0,467	0,477	0,731
200				0,0053	0,0042	0,0093	0,0161	0,0207	0,0414	0,0564	0,0717	0,107	0,135	0,198	0,298	0,347	0,363	0,481
224				0,0053	0,0042	0,0092	0,0159	0,0203	0,0327	0,0421	0,0708	0,105	0,133	0,136	0,205	0,342	0,348	0,367
250				0,004	0,0042	0,0092	0,0151	0,0162	0,0324	0,0417	0,0526	0,0726	0,1	0,134	0,201	0,277	0,343	0,35
280				0,004	0,0042	0,0092	0,015	0,016	0,0306	0,0329	0,0521	0,0716	0,099	0,101	0,138	0,274	0,279	0,345
315				0,0033	0,0039	0,0088	0,015	0,0152	0,0305	0,0326	0,052	0,0532	0,0922	0,0995	0,135	0,259	0,275	0,28
355				0,0033	0,0039	0,0088	0,015	0,0151	0,0305	0,0308	0,048	0,0526	0,0914	0,0926	0,102	0,257	0,26	0,277
400					0,0039	0,0087	0,0149		0,0305	0,0306	0,0479	0,0524		0,0917	0,101		0,258	0,261
450					0,0039	0,0087	0,0149		0,0302	0,0306	0,0474	0,0483			0,0934			0,258
500									0,0302	0,0305	0,0474	0,0482			0,0924			

Three stages 三级
i_N Nominal ratio i_N 标称速比

QVR...
iex J

Hansen P4

97QU-VR2N00053 A

mm

Gear unit	减速机
Vertical low speed shaft	垂直低速轴
Right-angle shafts	正交轴
Size	规格
Two stages	二级

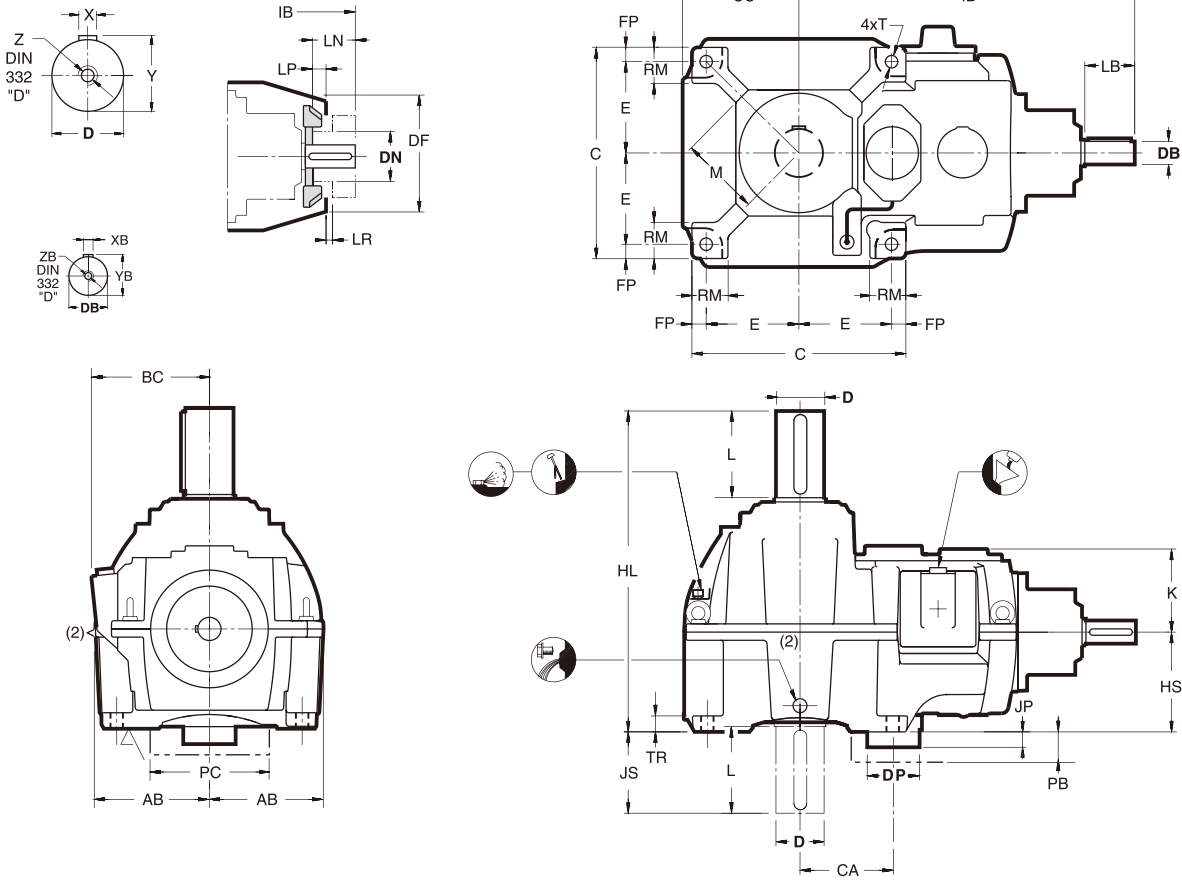
Q
V
R
C ▶ F
2

The user is responsible for the provision of safety guards and correct installation of all equipment.

Certified dimensions upon request.

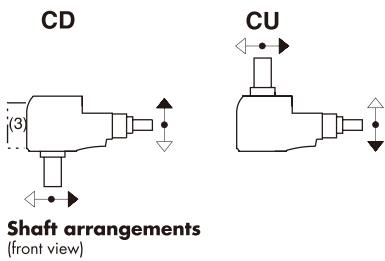
用户应正确安装所有设备并提供安全保护装置

可按要求提供详细尺寸



(1) Space for pump removal
(2) Grease lubrication point only for shaft arrangement CD
(3) For sizes E and F with shaft arrangement CD: motor pump at dipstick's side is required. Refer to us.

(1) 拆除泵所需空间
(2) 黄油润滑点仅用于CD型轴布置
(3) 对于E、F规格的CD型轴布置：电机泵应在油标尺一侧
咨询汉森传动



轴布置（主视图）

Type 型号	AB	BC	C	CU	E	FP	HL	HS	IB	JS	K	M	RM	T	TR	kg	Litres 公升
QVRC2	255	280	470	260	200	35	709	215	812	204	183	165	95	28	38	380	22
QVRD2	285	290	530	290	225	40	782	245	916	207	210	195	95	35	40	560	29
QVRE2	320	335	600	326	260	40	900	280	1012	245	237	225	105	35	45	840	50
QVRF2	365	372	690	370	295	50	945	320	1119	243	269	265	135	42	52	1290	75

Type 型号	Shafts Keys 轴键					ISO/R773-1969					Fan 风扇					Pump 泵 (3)				
	D-m6	L	X	Y	Z	DB	LB	XB	YB	ZB	DF	DN max	LN	LP	LR min	CA	DP(1)	JP	PB(1)	PC(1)
QVRC2	105	210	28	111	M24	50k6	180	14	53,5	M16	320	160	155	45	20	197	145	48	100	145
QVRD2	115	210	32	122	M24	60m6	210	18	64	M20	410	210	185	70	30	226	145	41	95	145
QVRE2	135	250	36	143	M30	65m6	210	18	69	M20	410	210	185	70	30	262	170	43	70	280
QVRF2	155	250	40	164	M30	75m6	210	20	79,5	M20	600	280	185	10	40	299	170	38	65	280

Hansen P4

97QU-VR2N00133 B

mm

Gear unit	减速机
Vertical low speed shaft	垂直低速轴
Right-angle shafts	正交轴
Size	规格
Two stages	二级

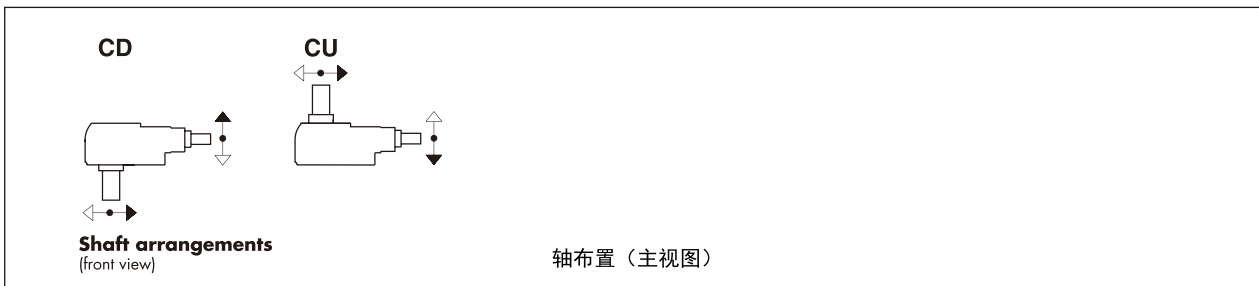
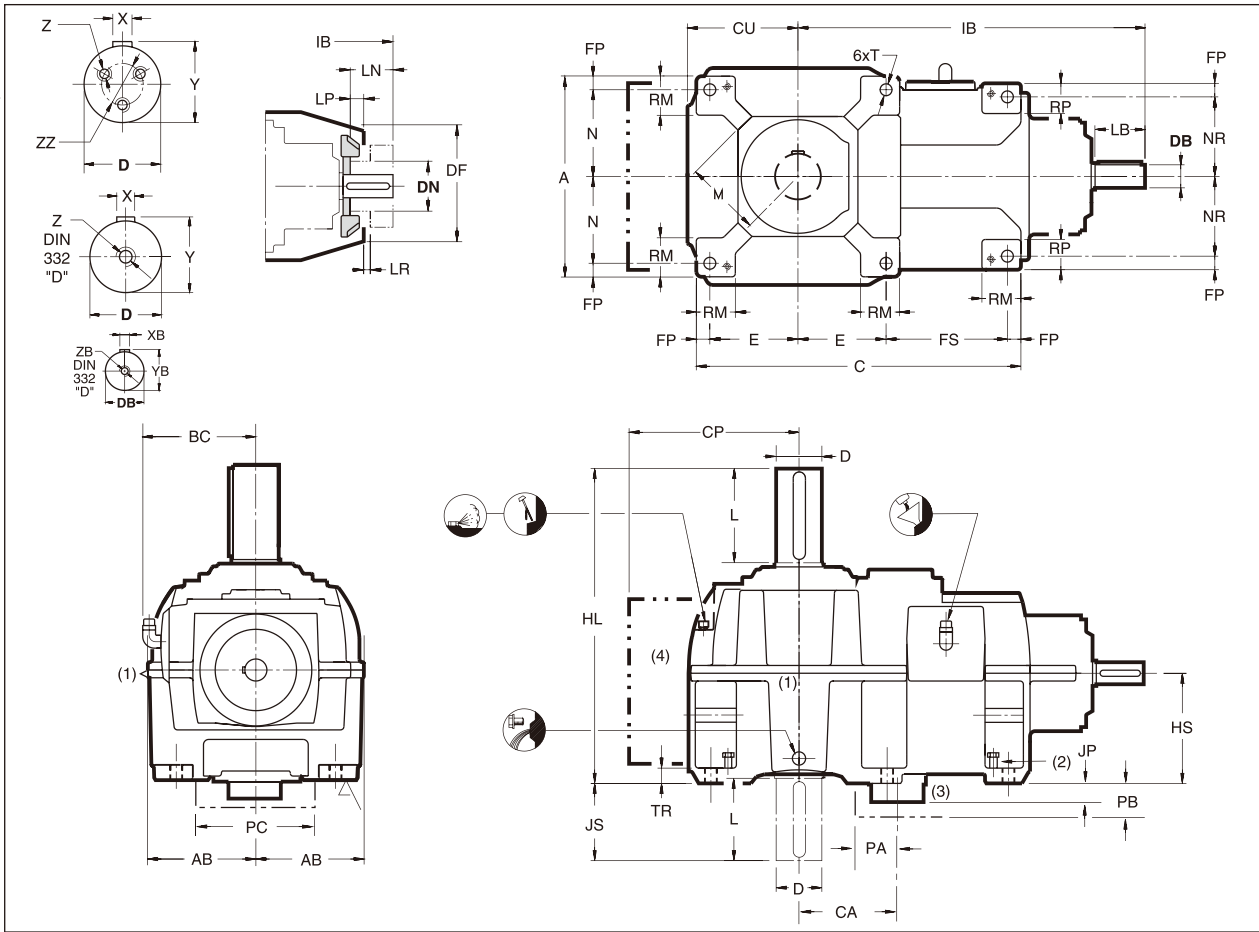
Q
V
R
G ▶ M
2

The user is responsible for the provision of safety guards and correct installation of all equipment.

Certified dimensions upon request.

用户应正确安装所有设备并提供安全保护装置

可按要求提供详细尺寸



- (1) Grease lubrication point only for shaft arrangement CD
- (2) 4x jacking screw
- (3) Space for pump removal
- (1) 黄油润滑点仅用于CD型轴布置
- (2) 4x起升螺栓
- (3) 拆除泵所需空间

Type 型号	A	AB	BC	C	CU	E	FP	FS	HL	HS	IB	JS	M	N	NR	RM	RP	T	TR	kg	Litres 公升
QVRG2	770	405	435	1120	420	305	50	410	1049	390	1241	295	290	335	275	140	120	42	60	1700	105
QVRH2	770	435	435	1232	460	345	50	442	1099	390	1313	345	310	335	275	140	120	42	60	1800	118
QVRJ2	1010	525	555	1380	540	410	55	450	1235	450	1442	342	390	450	385	160	140	48	70	2700	210
QVRK2	1010	525	555	1380	540	410	55	450	1295	450	1520	402	390	450	385	160	140	48	70	3100	215
QVRL2	1240	640	665	1650	655	510	60	510	1429	525	1742	400	410	560	490	175	155	56	80	4700	400
QVRM2	1240	640	665	1650	655	510	60	510	1489	525	1840	460	410	560	490	175	155	56	80	5200	430

Type 型号	Shafts Keys 轴键											Fan 风扇					Pump 泵				
	D-m6	L	X	Y	Z	ZZ	DB-m6	LB	XB	YB	ZB	DF	DN max	LN	LP	LR min	CA	JP	PA (3)	PB (3)	PC (3)
QVRG2	180	300	45	190	M30	-	100	210	28	106	M24	600	280	185	10	40	341	15	180	85	420
QVRH2	190	350	45	200	M30	-	100	210	28	106	M24	600	280	185	10	40	413	15	180	85	420
QVRJ2	210	350	50	221	M30	-	120	210	32	127	M24	600	280	185	10	40	Motorpump 电机泵 (4) CP: Refer to us 向汉森传动咨询				
QVRK2	230	410	50	241	M30	-	120	210	32	127	M24	600	280	185	10	40					
QVRL2	250	410	56	262	M30	-	140	250	36	148	M30	530	280	225	100	40					
QVRM2	270	470	63	282	3 x M24	140	140	250	36	148	M30	530	280	225	100	40					



Hansen P4

97QU-VR3N00043 A

mm

Gear unit	减速机
Vertical low speed shaft	垂直低速轴
Right-angle shafts	正交轴
Size	规格
Three stages	三级

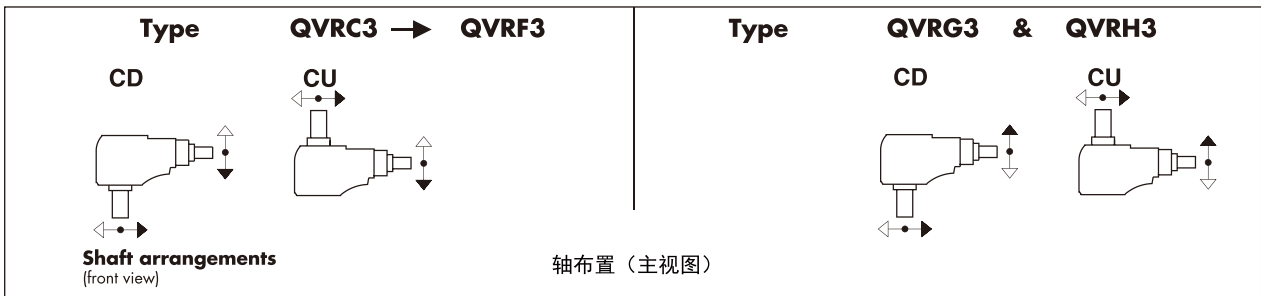
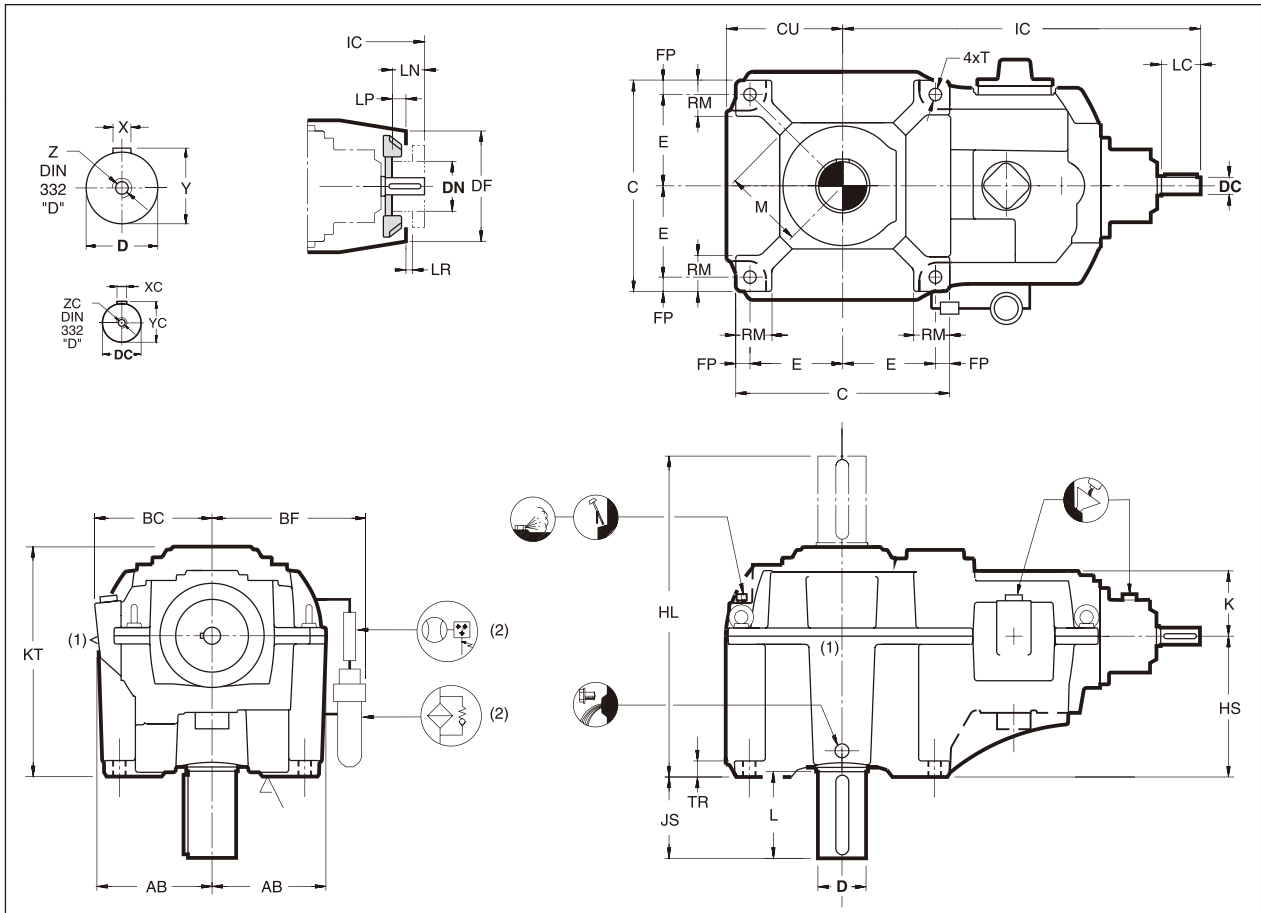
Q
V
R
C ▶ H
3

The user is responsible for the provision of safety guards and correct installation of all equipment.

Certified dimensions upon request.

用户应正确安装所有设备并提供安全保护装置

可按要求提供详细尺寸



(1) Grease lubrication point only for shaft arrangement CD
(2) Standard for gear units sizes G and H

(1) 黄油润滑点仅用于CD型轴布置
(2) 对于减速机G和H是标准的

Type 型号	AB	BC	BF	C	CU	E	FP	HL	HS	IC	JS	K	KT	M	RM	T	TR	kg	Litres 公升
QVRC3	255	280	-	470	260	200	35	695	290	865	204	150	477	165	95	28	38	485	23
QVRD3	285	290	-	530	290	225	40	765	330	992	207	166	540	195	95	35	40	675	34
QVRE3	320	332	-	600	326	260	40	880	375	1074	245	183	612	225	105	35	45	975	49
QVRF3	365	372	-	690	370	295	50	970	430	1215	243	210	703	265	135	42	52	1260	70
QVRG3	450	455	490	860	455	375	55	1089	430	1353	295	237	767	330	150	48	65	1850	105
QVRH3	450	455	490	860	455	375	55	1139	430	1425	345	237	767	330	150	48	65	1950	115

Type 型号	Shafts Keys 轴键					ISO/R773-1969					Fan 风扇				
	D-m6	L	X	Y	Z	DC	LC	XC	YC	ZC	DF	DN max	LN	LP	LR min
QVRC3	105	210	28	111	M24	35k6	150	10	38	M12	320	160	125	45	20
QVRD3	115	210	32	122	M24	45k6	180	14	48,5	M16	320	160	155	45	20
QVRE3	135	250	36	143	M30	50k6	180	14	53,5	M16	320	160	155	45	20
QVRF3	155	250	40	164	M30	60m6	210	18	64	M20	410	210	185	70	30
QVRG3	180	300	45	190	M30	65m6	210	18	69	M20	410	210	185	70	30
QVRH3	190	350	45	200	M30	65m6	210	18	69	M20	410	210	185	70	30

Hansen P4

97QU-VR3N00153 A

mm

Gear unit	减速机
Vertical low speed shaft	垂直低速轴
Right-angle shafts	正交轴
Size	规格
Three stages	三级

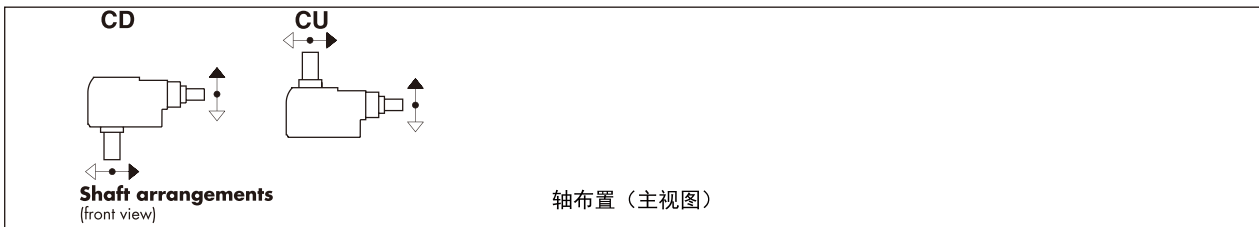
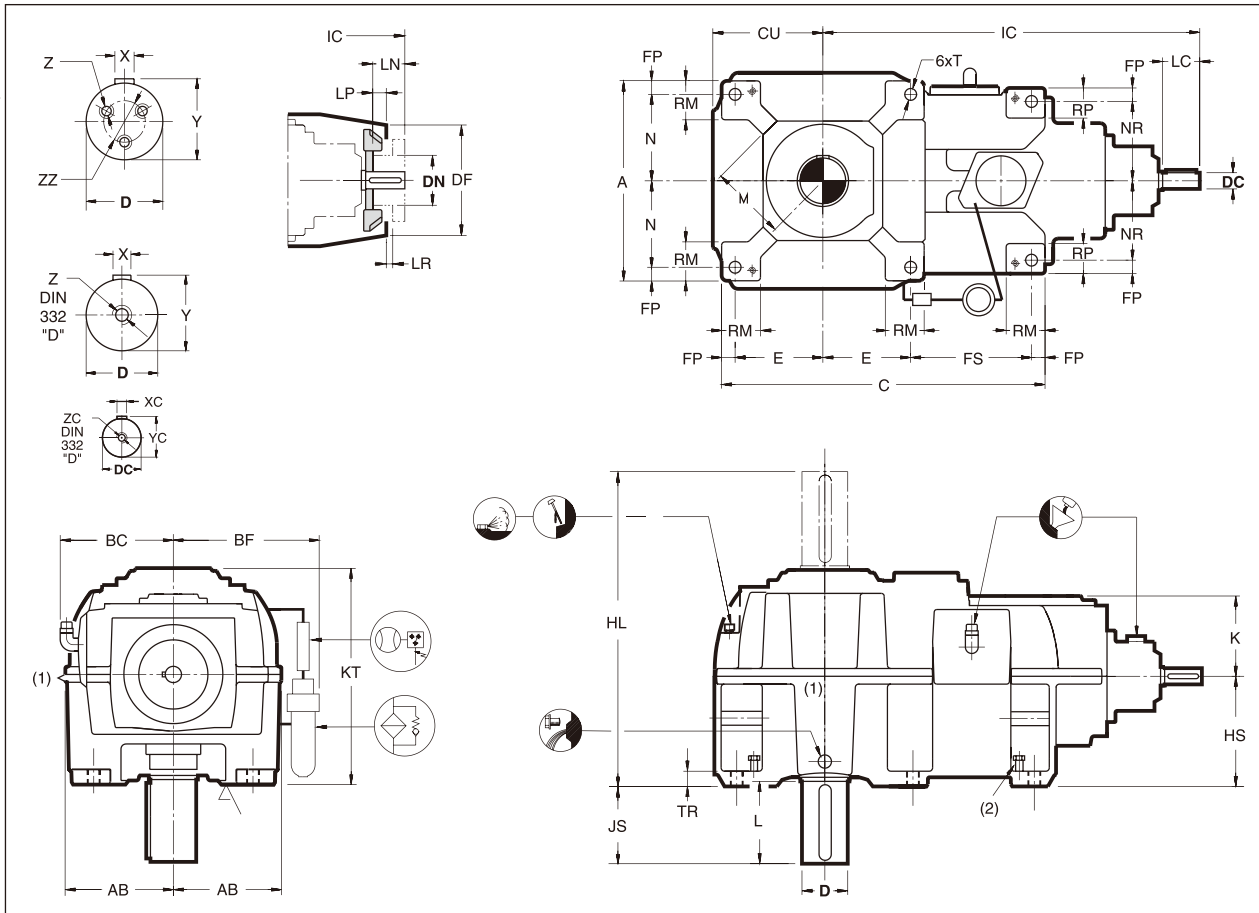
Q
V
R
J ▶ T
3

The user is responsible for the provision of safety guards and correct installation of all equipment.

Certified dimensions upon request.

用户应正确安装所有设备并提供安全保护装置

可按要求提供详细尺寸



(1) Grease lubrication point only for shaft arrangement CD
(2) 4x jacking screw

(1) 黄油润滑点仅用于CD型轴布置
(2) 4x起升螺栓

Type 型号	A	AB	BC	BF	C	CU	E	FP	FS	HL	HS	IC	JS	K	KT	M	N	NR	RM	RP	T	TR	kg	Litres 公升
QVRJ3	1010	525	555	635	1380	540	410	55	450	1235	450	1536	342	269	864	390	450	385	160	140	48	70	3000	305
QVRK3	1010	525	555	635	1380	540	410	55	450	1295	450	1614	402	269	864	390	450	385	160	140	48	70	3400	325
QVRL3	1240	640	665	750	1650	655	510	60	510	1429	525	1748	400	330	1024	410	560	490	175	155	56	80	5200	520
QVRM3	1240	640	665	750	1650	655	510	60	510	1489	525	1846	460	330	1024	410	560	490	175	155	56	80	5700	540
QVRN3	1270	655	685	765	1615	600	450	60	595	1535	550	2029	455	383	1065	460	575	505	180	165	56	85	8300	500
QVRP3	1270	655	685	765	1747	666	516	60	595	1595	550	2095	495	383	1085	480	575	505	180	165	56	85	9100	540
QVRQ3	1270	760	685	870	1989	787	637	60	595	1635	550	2216	535	383	1085	510	575	505	180	165	56	85	10500	625
QVRR3	1420	730	770	840	1905	710	540	70	685	1815	625	2447	585	472	1220	540	640	560	205	185	66	95	12700	750
QVRS3	1420	770	770	880	2057	786	616	70	685	1885	625	2523	635	472	1240	560	640	560	205	185	66	95	13900	810
QVRT3	1420	840	770	950	2207	861	691	70	685	1885	625	2598	635	472	1240	590	640	560	205	185	66	95	15100	860

Type 型号	Shafts Keys 轴键							ISO/R773-1969					Fan 风扇				
	D-m6	L	X	Y	Z	ZZ	DC-m6	LC	XC	YC	ZC	DF	DN max	LN	LP	LR min	
QVRJ3	210	350	50	221	M30	-	75	210	20	79,5	M20	600	280	185	10	40	
QVRK3	230	410	50	241	M30	-	75	210	20	79,5	M20	600	280	185	10	40	
QVRL3	250	410	56	262	M30	-	100	210	28	106	M24	600	280	185	10	40	
QVRM3	270	470	63	282	3 x M24	140	100	210	28	106	M24	600	280	185	10	40	
QVRN3	300	470	70	314	3 x M24	140	120	210	32	127	M24	600	280	185	10	40	
QVRP3	320	510	70	334	3 x M24	140	120	210	32	127	M24	600	280	185	10	40	
QVRQ3	340	550	80	355	3 x M24	250	120	210	32	127	M24	600	280	185	10	40	
QVRR3	360	600	80	375	3 x M24	250	140	250	36	148	M30	530	280	225	100	40	
QVRS3	380	650	80	395	3 x M24	250	140	250	36	148	M30	530	280	225	100	40	
QVRT3	400	650	90	417	3 x M24	250	140	250	36	148	M30	530	280	225	100	40	



Hansen P4

97QU-VR4N00033 A

mm

Gear unit	减速机
Vertical low speed shaft	垂直低速轴
Right-angle shafts	正交轴
Size	规格
Four stages	四级

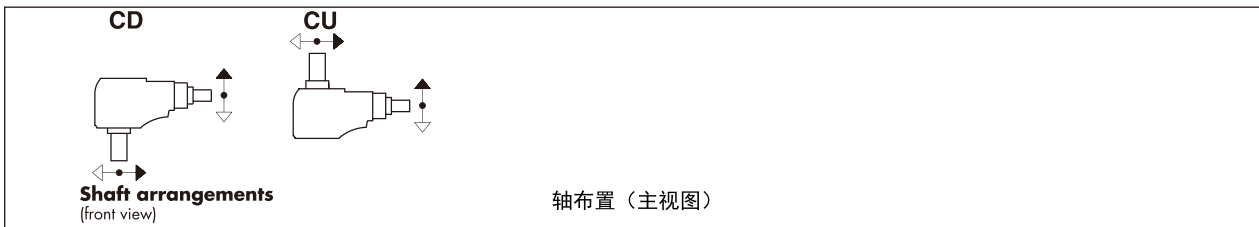
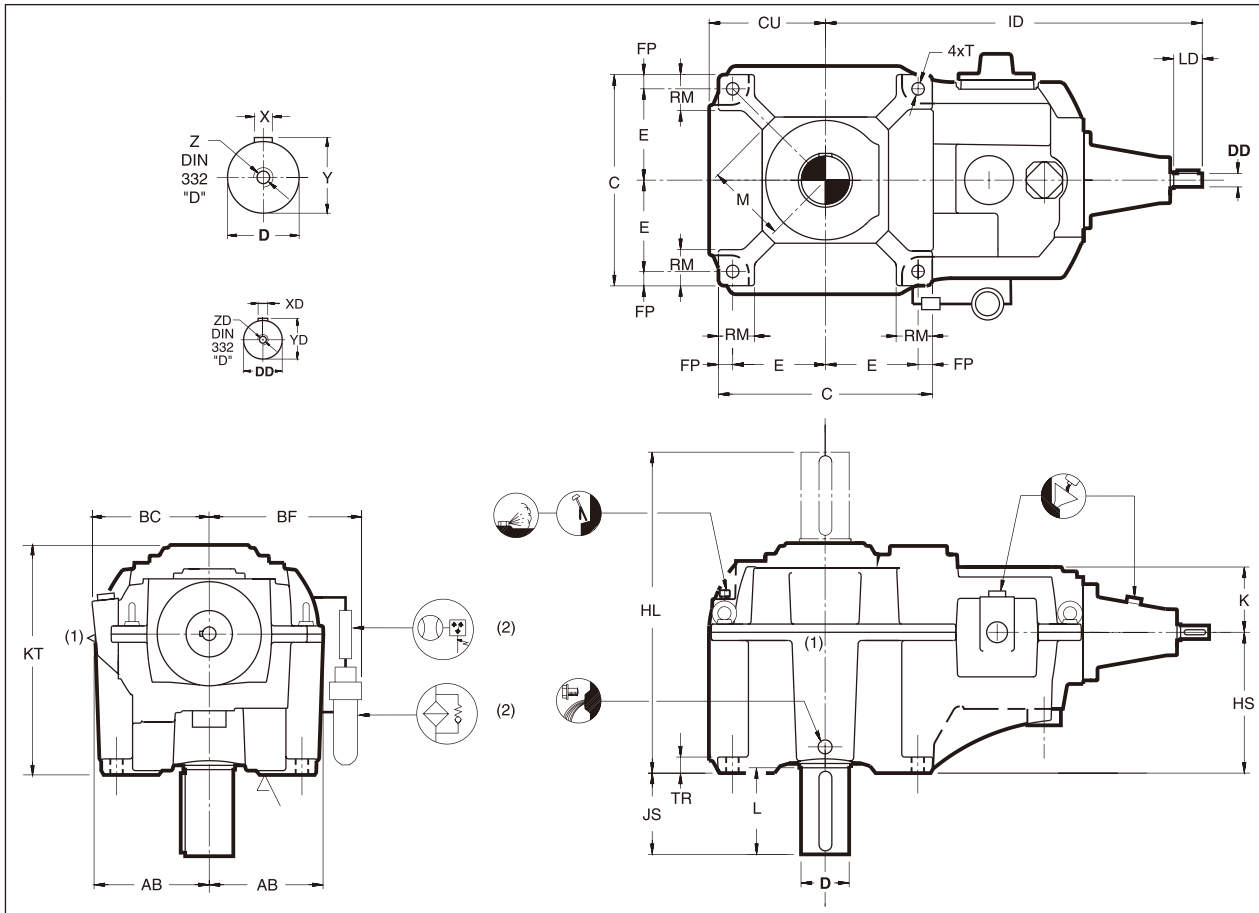
Q
V
R
D ▶ H
4

The user is responsible for the provision of safety guards and correct installation of all equipment.

Certified dimensions upon request.

用户应正确安装所有设备并提供安全保护装置

可按要求提供详细尺寸



(1) Grease lubrication point only for shaft arrangement CD
(2) Standard for gear units sizes G and H

(1) 黄油润滑点仅用于CD型轴布置

(2) 对于减速机G和H是标准的

Type 型号	AB	BC	BF	C	CU	E	FP	HL	HS	ID	JS	K	KT	M	RM	T	TR	kg	Litres 公升
QVRD4	285	290	-	530	290	225	40	765	330	1043	207	166	540	195	95	35	40	590	33
QVRE4	320	332	-	600	326	260	40	880	375	1127	245	183	612	225	105	35	45	900	46
QVRF4	365	372	-	690	370	295	50	970	430	1291	243	210	703	265	135	42	52	1280	75
QVRG4	450	455	490	860	455	375	55	1089	430	1415	295	237	767	330	150	48	65	1880	105
QVRH4	450	455	490	860	455	375	55	1139	430	1487	345	237	767	330	150	48	65	1980	115

Type 型号	Shafts Keys		轴键							
	D-m6	L	X	Y	Z	DD-k6	LD	XD	YD	ZD
QVRD4	115	210	32	122	M24	35	150	10	38	M12
QVRE4	135	250	36	143	M30	35	150	10	38	M12
QVRF4	155	250	40	164	M30	45	180	14	48,5	M16
QVRG4	180	300	45	190	M30	50	180	14	53,5	M16
QVRH4	190	350	45	200	M30	50	180	14	53,5	M16

Hansen P4

97QU-VR4N00153 A

mm

Gear unit	减速机
Vertical low speed shaft	垂直低速轴
Right-angle shafts	正交轴
Size	规格
Four stages	四级

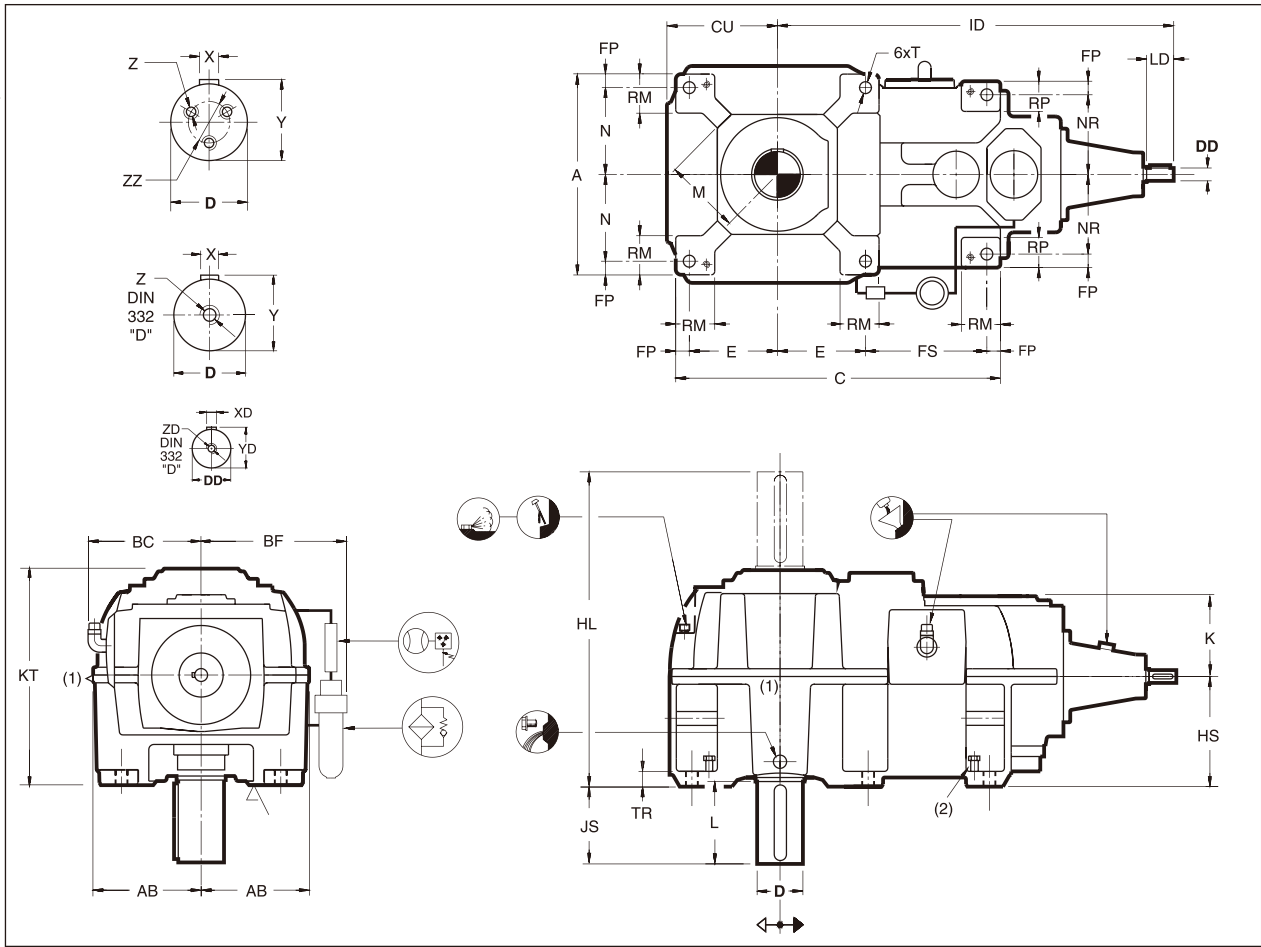
Q
V
R
J ▶ T
4

The user is responsible for the provision of safety guards and correct installation of all equipment.

Certified dimensions upon request.

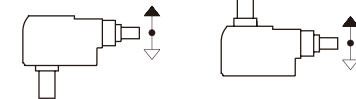
用户应正确安装所有设备并提供安全保护装置

可按要求提供详细尺寸



CD

CU



Shaft arrangements
(front view)

轴布置 (主视图)

(1) Grease lubrication point only for shaft arrangement CD
(2) 4x jacking screw

(1) 黄油润滑点
仅用于CD型轴布置
(2) 4x起升螺栓

Type 型号	A	AB	BC	BF	C	CU	E	FP	FS	HL	HS	ID	JS	K	KT	M	N	NR	RM	RP	T	TR	kg	Litres 公升
QVRJ4	1010	525	555	635	1380	540	410	55	450	1235	450	1632	342	269	864	390	450	385	160	140	48	70	3100	305
QVRK4	1010	525	555	635	1380	540	410	55	450	1295	450	1710	402	269	864	390	450	385	160	140	48	70	3500	325
QVRL4	1240	640	665	750	1650	655	510	60	510	1429	525	1860	400	307	1024	410	560	490	175	155	56	80	5300	520
QVRM4	1240	640	665	750	1650	655	510	60	510	1489	525	1958	460	307	1024	410	560	490	175	155	56	80	5800	540
QVRN4	1270	655	685	765	1615	600	450	60	595	1535	550	2123	455	359	1065	460	575	505	180	165	56	85	8400	500
QVRP4	1270	655	685	765	1747	666	516	60	595	1595	550	2189	495	359	1085	480	575	505	180	165	56	85	9200	540
QVRQ4	1270	760	685	870	1989	787	637	60	595	1635	550	2310	535	359	1085	510	575	505	180	165	56	85	10600	625
QVRR4	1420	730	770	-	1905	710	540	70	685	1815	625	2453	585	430	1220	540	640	560	205	185	66	95	12900	750
QVRS4	1420	770	770	-	2057	786	616	70	685	1885	625	2529	635	430	1240	560	640	560	205	185	66	95	14100	810
QVRT4	1420	840	770	-	2207	861	691	70	685	1885	625	2604	635	430	1240	590	640	560	205	185	66	95	15300	860

Type 型号	Shafts Keys						轴键						ISO/R773-1969				
	D- m6	L	X	Y	Z	ZZ	DD- m6	LD	XD	YD	ZD						
QVRJ4	210	350	50	221	M30	-	60	210	18	64	M20						
QVRK4	230	410	50	241	M30	-	60	210	18	64	M20						
QVRL4	250	410	56	262	M30	-	65	210	18	69	M20						
QVRM4	270	470	63	282	3 x M24	140	65	210	18	69	M20						
QVRN4	300	470	70	314	3 x M24	140	75	210	20	79,5	M20						
QVRP4	320	510	70	334	3 x M24	140	75	210	20	79,5	M20						
QVRQ4	340	550	80	355	3 x M24	250	75	210	20	79,5	M20						
QVRR4	360	600	80	375	3 x M24	250	100	210	28	106	M24						
QVRS4	380	650	80	395	3 x M24	250	100	210	28	106	M24						
QVRT4	400	650	90	417	3 x M24	250	100	210	28	106	M24						

QVR...



Hansen P4

97QU-VX0000013 A

mm

Gear unit	减速机				Q
Vertical low speed shaft	垂直低速轴				V
Parallel/right-angle shafts	平行轴/正交轴				P/R
Size	规格				C ▶ T
Gear sets	级数				2 ▶ 4

Available space for removal of dipstick and magnetic plug

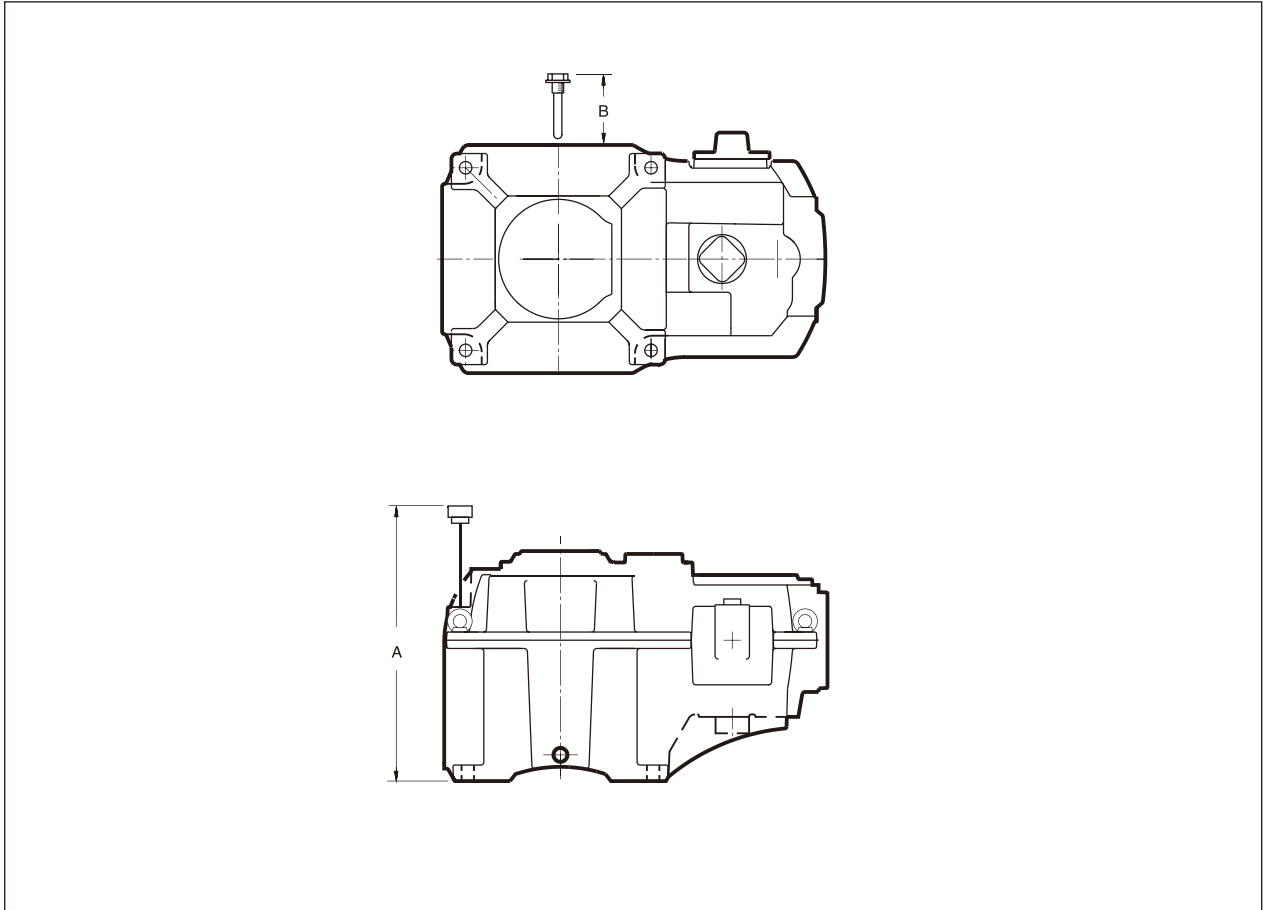
供油尺和磁性塞装卸的适当空间

The user is responsible for the provision of safety guards and correct installation of all equipment.

Certified dimensions upon request.

用户应正确安装所有设备并提供安全保护装置

可按要求提供详细尺寸



Size	规格	A			B
		QV..2	QV..3	QV..4	
C		525	665	-	-
D		565	720	720	-
E		605	785	785	-
F		650	855	855	145
G		785	910	910	170
H		785	910	910	170
J		860	810	815	245
K		860	810	815	245
L		1000	965	950	245
M		1000	965	950	245
N		-	-	1035	245
P		-	-	1035	245
Q		-	-	1035	245
R		-	-	1120	245
S		-	-	1120	245
T		-	-	1120	245

Hansen P4

97QU-V00N30113 A

mm

Gear unit	减速机			Q
Vertical low speed shaft	垂直低速轴			V
Parallel/right-angle shafts	平行轴/正交轴			P / R
Size	规格			C ▶ M
Gear sets	级数			2 ▶ 4

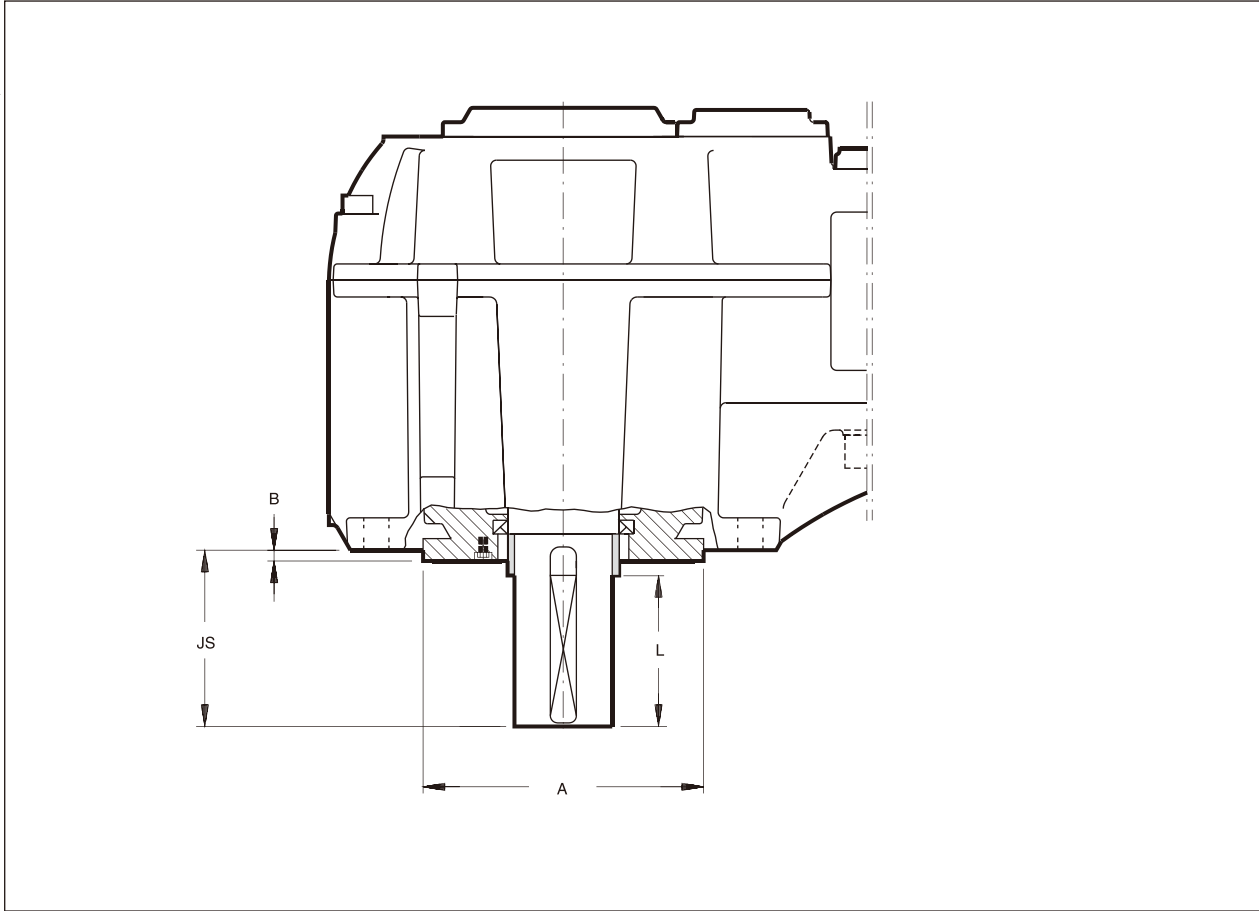
Flange at low speed shaft cover 低速轴端盖上的法兰安装方式 **C**

The user is responsible for the provision of **safety guards** and correct installation of all equipment.

Certified dimensions upon request.

用户应正确安装所有设备并提供安全保护装置

可按要求提供详细尺寸



Type 型号	øA h9		B	JS	L
	min.	max.			
QV.C.C	240	320	6	204	193
QV.D.C	290	380	6	207	196
QV.E.C	330	440	6	245	234
QV.F.C	385	520	6	243	232
QV.G.C	465	610	10	295	280
QV.H.C	465	610	10	345	330
QV.J.C	490	720	10	342	327
QV.K.C	545	720	10	402	387
QV.L.C	605	810	10	400	385
QV.M.C	605	810	10	460	445

QV...



Hansen P4

97QU-VPON20013 A

mm

Gear unit	减速机
Vertical low speed shaft	垂直低速轴
Parallel shafts	平行轴
Size	规格
Gear sets	级数

Q
V
P
C ▶ M
2 ▶ 4

Spigot at fixation feet

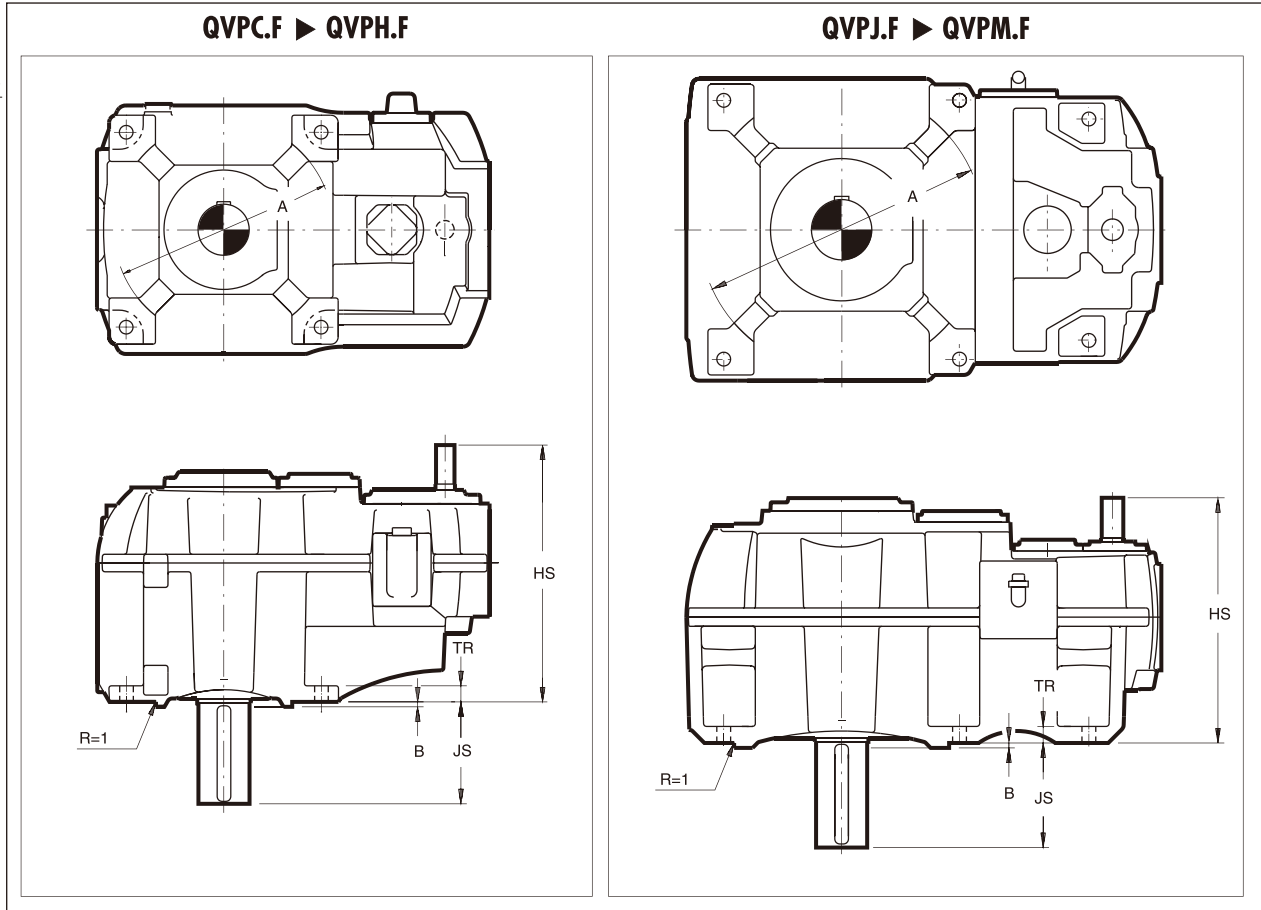
带定位凸缘的底脚安装方式 **F**

The user is responsible for the provision of safety guards and correct installation of all equipment.

Certified dimensions upon request.

用户应正确安装所有设备并提供安全保护装置

可按要求提供详细尺寸



(1) Optionally, a high precision, centering (tol. h7) spigot at fixation feet is available

(1)选择方式高精度对中(公差h7)的带凸缘底脚

Type 型号	øA h9 (1)	B	HS			JS	TR
			QVP.2F	QVP.3F	QVP.4F		
QVPC.F	450	5	515	557	-	209	33
QVPD.F	520	5	600	613	597	212	35
QVPE.F	620	5	660	675	642	250	40
QVPF.F	680	5	730	785	713	248	47
QVPG.F	850	5	-	810	730	300	60
QVPH.F	850	5	-	810	730	350	60
QVPJ.F	1000	5	-	860	805	347	65
QVPK.F	1000	5	-	860	805	407	65
QVPL.F	1200	5	-	1005	935	405	75
QVPM.F	1200	5	-	1005	935	465	75

Remark: some other dimensions will also change due to spigot at fixation feet: KT: -5 mm JP, PB: +5 mm

备注: 其他尺寸根据定位凸缘的变化不同而改变
底脚: KT: -5mm
JP, PB: +5mm

Hansen P4

97QU-VRON20013 A

mm

Gear unit	减速机				Q
Vertical low speed shaft	垂直低速轴				V
Right-angle shafts	正交轴				R
Size	规格				C ▶ M
Gear sets	级数				2 ▶ 4

Spigot at fixation feet 带定位凸缘的底脚安装方式 **F**

The user is responsible for the provision of safety guards and correct installation of all equipment.

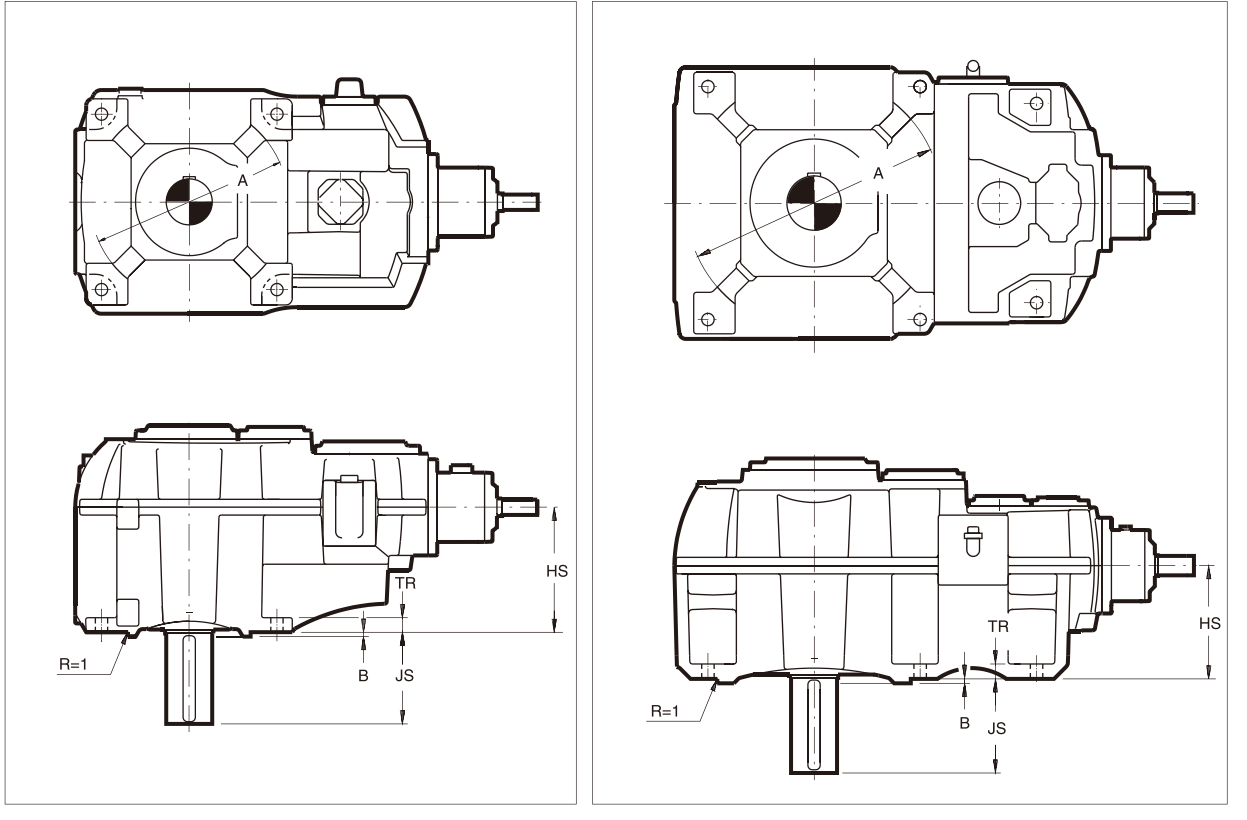
Certified dimensions upon request.

用户应正确安装所有设备并提供安全保护装置

可按要求提供详细尺寸

QVRC2F ▶ QVRF2F
QVRC3/4F ▶ QVRH3/4F

QVRG2F ▶ QVRH2F
QVRJ.F ▶ QVRM.F



(1) **Optionally**, a high precision centering (tol. h7) spigot at fixation feet is available

(1) 选择方式高精度对中(公差h7)的带凸缘底脚

Type 型号	øA h9 (1)	B	HS		JS	TR
			QVR.2F	QVR.3/4F		
QVRC.F	450	5	210	285	209	33
QVRD.F	520	5	240	325	212	35
QVRE.F	620	5	275	370	250	40
QVRF.F	680	5	315	425	248	47
QVRG2F	680	5	385	-	300	55
QVRG3/4F	850	5	-	425	350	60
QVRH2F	730	5	385	-	350	55
QVRH3/4F	850	5	-	425	350	60
QVRJ2F	860	5	445	-	347	65
QVRJ3/4F	1000	5	-	445	347	65
QVRK2F	860	5	445	-	407	65
QVRK3/4F	1000	5	-	445	407	65
QVRL2F	1000	5	520	-	405	75
QVRL3/4F	1200	5	-	520	405	75
QVRM2F	1070	5	520 J	-	465	75
QVRM3/4F	1200	5	-	520	465	75

Remark: some other dimensions will also change due to spigot at fixation feet: KT: - 5 mm JP, PB: + 5 mm

备注: 其他尺寸根据定位凸缘的变化不同而改变
底脚: KT: -5mm
JP, PB: +5mm

QV...



Hansen P4

97QU-V000C0033 A

mm

Gear unit	减速机
Vertical low speed shaft	垂直低速轴
Parallel/right-angle shafts	平行轴/正交轴
Size	规格
Gear sets	级数

Q
V
P / R
C ▶ T
2 ▶ 4

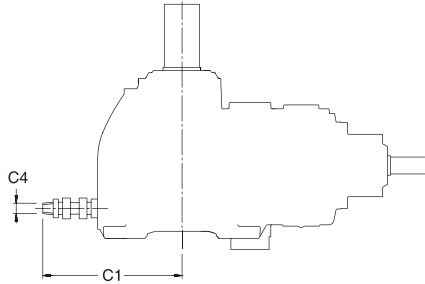
Cooling coil 冷却盘管

The user is responsible for the provision of safety guards and correct installation of all equipment.

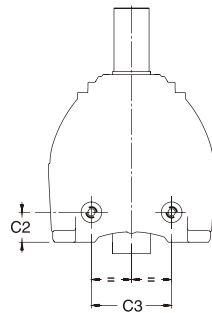
Certified dimensions upon request.

用户应正确安装所有设备并提供安全保护装置

可按要求提供详细尺寸

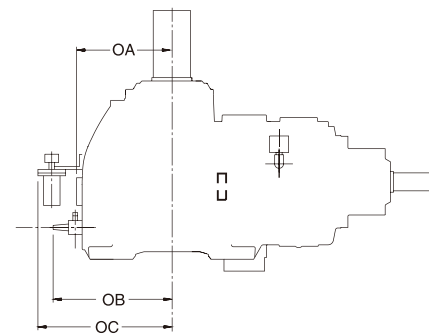
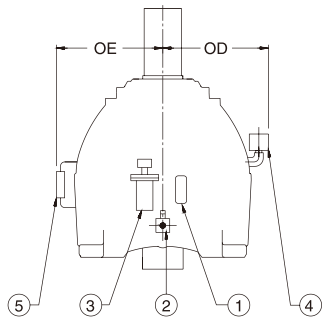


Type 型号	Size 规格									
	C	D	E	F	G	H	J	K	L	M
C1	355	385	425	465	515	555	635	635	800	800
C2	75	85	85	85	85	85	115	115	120	120
C3	210	240	260	320	400	400	500	500	800	800
C4	R 1/2"								R 1"	



Type 型号	Size 规格												
	C	D	E	F	G	H	J	K	L	M	N	P	Q
C1	355	385	425	465	550	550	635	635	800	800	750	815	935
C2	90	100	100	100	120	120	115	115	120	120	189	189	189
C3	210	240	260	290	400	400	500	500	800	800	876	876	876
C4	R 1/2"								R 1"				

Options 可选组件



Type	Position 位置	Type	Size 规格															
			C	D	E	F	G	H	J	K	L	M	N	P	Q	R	S	T
	Oil sight glass 液面计 ①	OA	290	320	355	400	485	485	570	570	680	680	630	695	815	740	815	890
	Drain cock 排放阀 ②	OB	340	380	415	480	565	565	655	655	770	770	740	805	925	850	925	1000
	Oil level switch 油位开关 ③	OC	380	410	450	490	575	575	660	660	765	765	720	785	910	830	905	980
	Dust-proof breather plug 防尘呼吸阀 ④	OD	360	370	395	435	530	530	650	650	760	760	775	775	810	810	810	810
	Flow Switch 流量开关 ⑤	OE	315	345	380	410	-	-	-	-	-	-	-	-	-	-	-	-

The above mounting positions and dimensions are standard for gear units equipped with one single accessory. They may vary for units equipped with several accessories.

安装有单个附件的减速机，上述安装位置及尺寸是标准的。当装有若干附件时，上述参数会随之变动。

Hansen P4

97QU-V000W0023 B

mm

Gear unit	减速机				Q
Vertical low speed shaft	垂直低速轴				V
Parallel/right-angle shafts	平行轴/正交轴				P / R
Size	规格				C ▶ T
Gear sets	级数				2 ▶ 4

Cooling systems

冷却系统

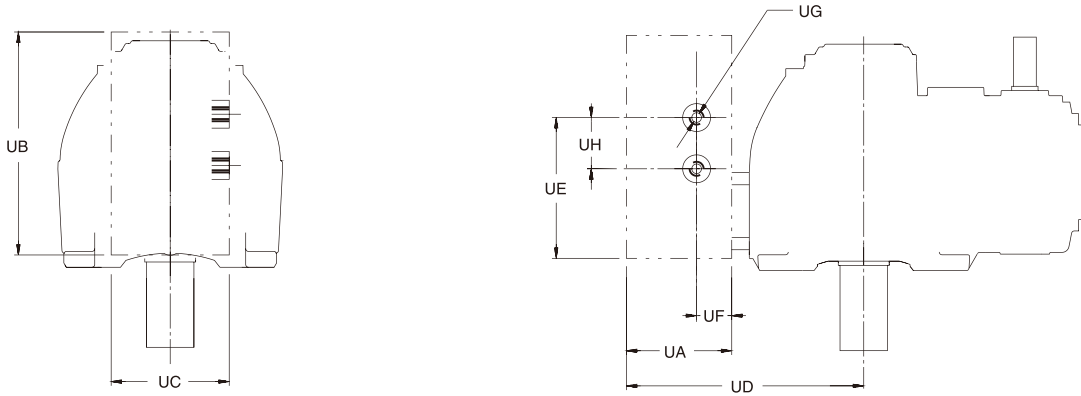
Gear unit type
QV .. 2 / QV .. 3 / QV.. 4

The user is responsible for the provision of safety guards and correct installation of all equipment.

Certified dimensions upon request.

用户应正确安装所有设备并提供安全保护装置

可按要求提供详细尺寸



Oil - water cooler 油-水冷却器

#	UA	UB	UC	UE	UF	UG	UH
1	400	850	600	400	100	R3/4"	55
2	420	850	600	400	110	R3/4"	55
3	430	850	800	420	110	R3/4"	55
4	430	850	830	420	110	R3/4"	55

(1) Refer to us

(1) 咨询我们

Dimension UD 尺寸 UD

#	C	D	E	F	G	H	J	K	L	M	N	P	Q	R	S	T
1	(1)	815	851	895	980	980	1065	1065	1180	1180	1125	1191	1312	1235	1311	1386
2	-	-	871	915	1000	1000	1085	1085	1200	1200	1145	1211	1332	1255	1331	1406
3	-	-	-	960	1045	1045	1130	1130	1245	1245	1190	1256	1377	1300	1376	1451
4	-	-	-	-	1045	1045	1130	1130	1245	1245	1190	1256	1377	1300	1376	1451

Oil - air cooler 油-空气冷却器

#	UA	UB	UC
1	480	880	560
2	500	1070	730
3	570	1090	730
4	570	1240	750

Dimension UD 尺寸 UD

#	C	D	E	F	G	H	J	K	L	M	N	P	Q	R	S	T
1	(1)	895	931	975	1060	1060	1145	1145	1260	1260	1205	1271	1392	1315	1391	1466
2	-	-	931	975	1060	1060	1145	1145	1260	1260	1205	1271	1392	1315	1391	1466
3	-	-	-	1100	1185	1185	1270	1270	1385	1385	1330	1396	1517	1440	1516	1591
4	-	-	-	-	1185	1185	1270	1270	1385	1385	1330	1396	1517	1440	1516	1591

QV...

