

## 住友中国网络

上海分公司  
上海市长宁区虹桥路1386号  
文广大厦1101室  
邮编: 200336  
电话: 021-34627877  
传真: 021-34627922

松江工厂  
上海市松江区书崖路301号2幢  
邮编: 200336  
电话: 021-57748866

天津工厂  
天津市东丽经济开发区三经路7号  
邮编: 300300  
电话: 022-24993501  
传真: 022-24993507

广州工厂  
广州市永和经济技术开发区桑田三路32号兴宇物流第1号厂房  
邮编: 511356  
电话: 020-82981073  
传真: 020-32221017

唐山工厂  
唐山市开平区现代装备制造工业  
园区园区道35号住友重机械  
(唐山)有限公司SCT营业部  
邮编: 063021  
电话: 0315-3390880  
传真: 0315-3390937

苏州分公司  
苏州新区狮山路88号金河国际  
中心2111室  
邮编: 215011  
电话: 0512-68050638  
传真: 0512-68050568

南京分公司  
南京市中山南路49号南京商茂  
世纪广场16楼A4座  
邮编: 210005  
电话: 025-86890102  
传真: 025-86890121

无锡分公司  
无锡市滨湖区万达广场A区写字  
楼2011室  
邮编: 214000  
电话: 0510-82735106  
传真: 0510-82722686

杭州分公司  
杭州市凤起路78号杭州国际假日  
酒店商务楼408室  
邮编: 310003  
电话: 0571-28909729  
传真: 0571-28909730

宁波联络处  
浙江省宁波市海曙区紫薇新村  
4栋11号405室  
邮编: 315016  
电话: 13306687987  
传真: 0574-89021801

温州联络处  
温州市瓯海区高翔景苑3-801  
电话: 18857791797

合肥分公司  
合肥市政务区东流路999号新  
城国际A座1707室  
电话: 0551-63525360  
传真: 0551-62852401

济南分公司  
济南市历下区华能路38号汇  
能大厦2305室  
邮编: 250100  
电话: 0531-88119586  
传真: 0531-88119585

青岛分公司  
青岛市山东路40号青岛广发  
金融大厦1304-C  
邮编: 266071  
电话: 0532-86660108  
传真: 0532-86660105

烟台联络处  
烟台市福山区银河路惠景文  
苑15-2-402  
电话: 18660559973

长沙分公司  
长沙市雨花区万家丽路欧亚  
达国际广场3栋2475  
电话: 0731-84132878  
传真: 0731-84148938

沈阳分公司  
沈阳市和平区和平北大街69  
号总统大厦C座1903室  
邮编: 110003  
电话: 024-22812030  
传真: 024-22812032

长春联络处  
吉林省长春市净月区南四环  
路与临河街交汇保利香槟  
C3-2-2205  
邮编: 130021  
电话: 18626647838

哈尔滨联络处  
哈尔滨市香坊区香康街7号  
邮编: 150036  
电话: 18646118585

大连办事处  
大连市黄河路677号天兴-罗  
斯福国际中心写字楼1712室  
邮编: 116021  
电话: 0411-84521309  
传真: 0411-84521306

郑州分公司  
郑州市金水路24号润华商务  
花园A座426室  
邮编: 450012  
电话: 0371-63857861  
传真: 0371-63857222

西安分公司  
西安市雁塔区高新四路一号  
高科广场A座702室  
邮编: 710075  
电话: 029-88365200

乌鲁木齐联络处  
乌鲁木齐西山路156队家属区  
17号楼一单元1401  
电话: 0991-2658211  
传真: 0991-2657211

太原联络处  
山西省太原市万柏林区和平北  
路熙馨苑馨院小区8号楼3205室  
电话: 0351-5260423  
传真: 0351-5260423

北京分公司  
北京市朝阳区东三环中路16号  
京粮大厦1408室  
邮编: 100020  
电话: 010-84854688  
传真: 010-84854698

石家庄联络处  
河北省石家庄新华区誉宏路1号  
明珠花苑12-3-502室  
邮编: 050000  
电话: 0311-68008684  
传真: 0311-68008684

唐山办事处  
唐山市开平区现代装备制造工业  
园区园区道35号住友重机械  
(唐山)有限公司SCT营业部  
邮编: 063021  
电话: 0315-3390889  
传真: 0315-3390858

天津办事处  
天津市东丽经济开发区三经路7号  
邮编: 300300  
电话: 022-24980364  
传真: 022-24985406

广州分公司  
广州市林和西路161号中泰国际A  
座1208室  
邮编: 511356  
电话: 020-38288465  
传真: 020-38288580

福州分公司  
福州市五一中路88号平安大厦  
7F C2单元  
邮编: 350001  
电话: 0591-87608527  
传真: 0591-87608617

厦门联络处  
厦门市莲前西路811号1401室  
邮编: 361009  
电话: 0592-5196266  
传真: 0592-5196266

江西联络处  
江西省南昌市塔子桥南路328号  
春晖园二期13栋2单元204  
电话: 18079277044

成都分公司  
成都市人民南路一段86号城市  
之心19楼E座  
邮编: 610016  
电话: 028-86203055  
传真: 028-86203058

昆明联络处  
昆明市五华区红锦路46号荷塘  
月色8幢3单元502室  
电话: 0871-63510627  
传真: 0871-63510602

重庆办事处  
重庆市九龙坡区火炬大道99号  
千叶大厦3栋14-4  
邮编: 400010  
电话: 023-63801662  
传真: 023-63801660

香港分公司  
香港九龍长沙湾永康街77号  
环荟中心1301室  
电话: 00852-24601884  
传真: 00852-24601882

## 住友全球其他网络

**Asia/Oceania**  
**Korea**  
Sumitomo(SHI)Cyclo Drive Korea, Ltd. (SCK)  
Tel: (82)2-730-0151  
**Taiwan**  
Tatung SM-Cyclo Co., Ltd. (TSOC)  
Tel: (886)2-2595-7275  
**Singapore**  
Sumitomo(SHI)Cyclo Drive Asia Pacific Pte. Ltd. (SCA)  
Tel: (65)6591-7800  
**Philippines**  
SCA Branch Office in Philippines  
Tel: (63)2-6800-6500  
**Vietnam**  
SCA Representative Office in Hanoi  
Tel: (84)4-3767-2716  
**Malaysia**  
SM-Cyclo (Malaysia) Sdn. Bhd. (SMMA)  
Tel: (60)3-8061-2909  
**Thailand**  
SM-Cyclo (Thailand) Co., Ltd. (SMTH)  
Tel: (66)2-670-9998

**Australia**  
SM-Cyclo (Australia) Pty., Ltd. (SMAU)  
Tel: (61)2-8811-6555  
**India**  
Sumi-Cyclo Drive India Private Limited  
Tel: (91)20-6674-2900  
**Americas**  
**U.S.A.**  
Sumitomo Machinery Corporation of America (SMA)  
Tel: (1)757-485-8218  
**Argentina**  
SM-Cyclo de Argentina S.A. (SMAR)  
Tel: (54)11-4765-5332  
**Brazil**  
SM-Cyclo Redutores do Brasil, Ltda. (SMBR)  
Tel: (55)11-5585-3600  
**Chile**  
SM-Cyclo de Chile, Ltda. (SMCH)  
Tel: (56)2-892-7000  
**Mexico**  
SM-Cyclo de Mexico, S.A. de C.V. (SMME)  
Tel: (52)81-8144-5130

**Canada**  
SM-Cyclo of Canada, Ltd. (SMC)  
Tel: (1)905-469-1050  
**Europe**  
**Germany**  
Sumitomo(SHI) Cyclo Drive Germany GmbH (SCG)  
Tel: (49)8136-66-0  
**Austria**  
SCG Branch Austria Office  
Tel: (43)732-330958  
**Benelux**  
SCG Branch Benelux Office  
Tel: (32)16 60 83 11  
**France**  
SM-Cyclo France E.U.R.L. (SMFR)  
Tel: (33)149-929494  
**Italy**  
SM-Cyclo Italy Srl (SMIT)  
Tel: (39)02-9356-2121  
**Spain**  
SM-Cyclo Iberia, S.L. (SMIB)  
Tel: (34)944-805389

**Sweden**  
SM-Cyclo Scandinavia AB (SMSC)  
Tel: (46)40220030  
**UK**  
SM-Cyclo UK Ltd. (SMUK)  
Tel: (44)1482-790340

## Sumitomo Drive Technologies



# Hansen P4

Standardized single stage gear  
units with parallel shafts  
标准单级减速机

# Hansen P4

## Single stage gear units – 单级减速机

### A new balance ...

#### Optimal balance between mechanical, thermal and bearing ratings

The new range of single stage gear units has been designed from scratch. Every dogma has been questioned, alternatives have been developed and evaluated.

In single stage gear units of "traditional" designs, with fixed centre distance and torque rating, the reduction ratio has a major effect on the power rating. This means that for small reduction ratios, very large powers can be transmitted, which may lead to thermal limitations. On the other hand, for large ratios, gear casings are oversized for the transmittable power.

In a traditional design, this very large power span for a given size of unit (fig. 1 "A") leads to inefficient compromises with bearing selection and mechanical and thermal rating.

The new Hansen industrial gearboxes concept of 'balance between mechanical, thermal and bearing rating for all ratios results in a new and more logical approach of size selection (fig. 1 "B").

Size is no longer equivalent to torque but to power, which results in optimal performance and efficiency for all ratios.

### 新的平衡

使额定功率、许用热功率和轴承寿命之间达到最佳平衡

新的单级减速机系列采用了全新的设计。每一条设计准则都经过重新审视，每个替代和改进方案都经过反复推敲。

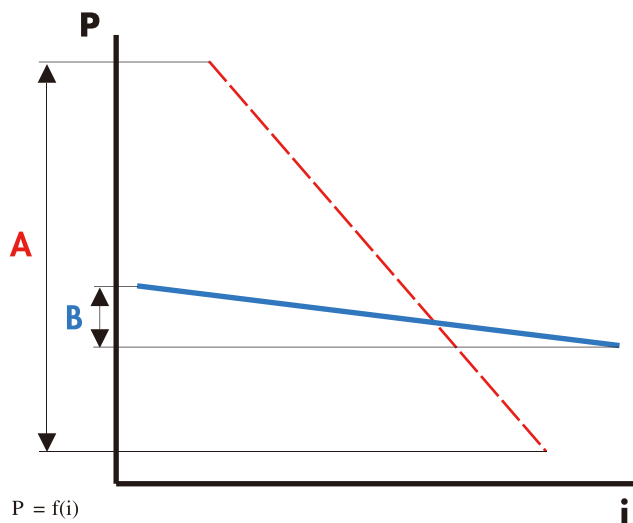
在“传统的”单级减速机设计中，在中心距和额定扭矩都是固定的情况下，速比是影响额定功率的主要因素。也就是说用较小速比传递大较的功率时，许用热功率会成为主要限制因素。另一方面，对于大速比所传递的功率而言，减速机箱体又显得过大。

在传统设计中，这种大功率范围对应固定箱体尺寸将导致轴承选择与机械功率和热功率之间难以取得真正的匹配，（图 1 "A"）。

在汉森新的设计理念“使额定机械功率、许用热功率和轴承寿命之间达到平衡”指导下，最终形成了针对所有速比的新的更合理的型号选择方法（图 1 "B"）。

型号不再与扭矩相关，而是与功率相关，从而导致所有传动比对应的最佳性能和效率。

Fig.1



$P = f(i)$

P : power - 功率

i : ratio - 速比

— — : traditional design - 传统设计

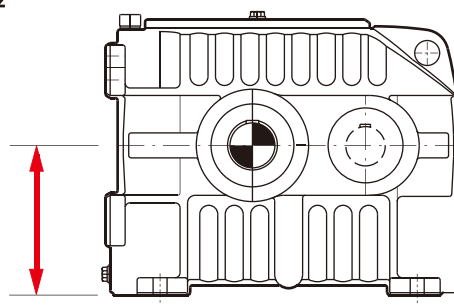
— : Hansen industrial gearboxes design - 汉森设计

### Increased shaft height

The gear units have been designed with an enlarged housing and an increased shaft height. The vast cooling surface raises the thermal rating and the larger oil sump assures a longer oil life. In combination with the service cover, a cooling coil can be fitted, without having to disassemble the complete gear unit (fig.2).

The increased shaft height also results in the input shaft being better positioned versus the shaft height of the electric motor. As such, motor and gear unit will be equally affected by thermal expansion and the static alignment is not disturbed during operation.

Fig.2



### 增加的轴高度

减速机的设计采用了加大的箱体，从而使轴高度增加。箱体增大的散热表面提高了许用热功率，增加了油池容量，从而延长了的润滑油使用寿命。冷却盘管可以安装在检查盖上，拆装时无需拆开整个减速机（图 2）。

轴高度增加使得输入轴与电机轴的高度位置更佳，从而使电机和减速机受热膨胀的影响相等，而静态对中将不会在运转过程中改变。

# Hansen P4

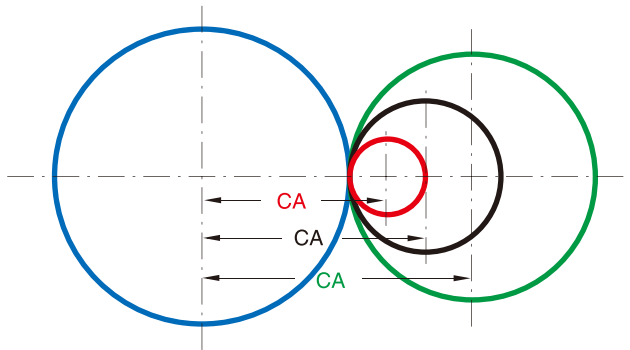
## Single stage gear units – 单级减速机

### Flexible solutions

#### Variable centre distances

The optimized single stage housing has been designed to accommodate gear sets with different centre distances, offering an unprecedented flexibility.

- Hansen Industrial Transmissions nv can accept customised centre distances. This offers unique opportunities when looking at replacement or improvement of existing installations at a minimum of effort and expense.
- Special ratios within 1% of the requested ratio can be offered at a very moderate extra cost, by using a standard wheel or pinion in combination with a tailor-made counterpart.
- Improved standardisation of components results in shorter delivery times of gear units and spares

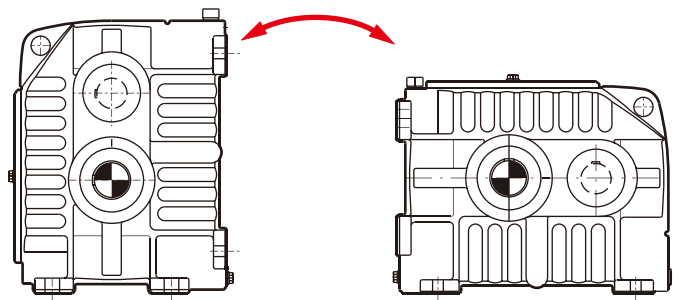


### 灵活的解决方案

#### 可变中心距

单级减速机箱体的设计实现了最优化，可以容纳具有不同中心距的齿轮副，从而具有前所未有的灵活性。

- 汉森可以接受特定的中心距。为用户替代或改进现有设备提供方便，达到高效低耗。
- 可以以适中的附加费用提供特殊速比，选择范围为标称速比的 1%，通过使用标准齿轮或齿轴与非标的齿轴或齿轮组合来实现。
- 零部件标准化水平的提高，缩短了整机和备件的交货期。



### Two mounting positions

Next to the standard arrangement with shafts in a horizontal plane, the gear unit can also operate with both shafts in a vertical plane: high speed shaft above low speed shaft.

#### Resulting extra benefits:

- Left hand execution equals right hand execution. Easy change of shaft handing, and reduced number of spare units.
- Increased flexibility in mounting arrangement
- The input shaft height matches the motor shaft height even better, particularly for small ratios.
- Compact solution, easily accessible from all sides

### A range of options to suit every application

- Single or double fan
- Cooling coil, also available in combination with a fan
- Range of oil-to-air and oil-to-water coolers
- Fit for oil lubrication from a central distribution system
- Instrumentation for temperature and/or vibration monitoring

### 两种安装位置

除了高低速轴处于一个水平面的标准安装方式外，减速机还可以选择高低速轴处于同一个垂直平面的安装方式，高速轴位于低速轴上方。

#### 由此带来的诸多好处：

- 减速机既可以安装成左出轴，也可以安装成右出轴，易于更改输出轴布置位置，和减少备用零件数量
- 增加减速机安装的灵活性
- 对于小速比的减速机，输入轴高度与电机轴高度的配合得到了改善
- 外观紧凑，易于操作

### 一系列选装件，可适合于各种应用类型

- 单或双风扇
- 冷却盘管，也可与风扇组合
- 系列油-空气冷却器和油-水冷却器
- 适用于集中控制的润滑系统润滑
- 可安装温度和/或振动监测仪器

# Hansen P4

## Single stage gear units – 单级减速机

### Efficient Solutions

#### High power efficiency through optimized gear geometry

Because of the high mechanical power ratings transmitted through a single stage gear unit, smooth running of the unit is a must. A specific macro gear geometry, aimed at reduced power losses and low noise and vibrations was introduced. This contributes to a safer and ecologically sound operation. Moreover the savings in operating cost, as a result of the increased efficiency, can easily add up to or even exceed the cost of the original investment in the gear unit.

#### Monolithic housing design

Transmitting high power through a single gear stage generates high internal gear forces. In the Hansen P4 range of single stage gear units, these forces are ideally absorbed by tapered roller bearings fitted into a rigid monolithic housing.



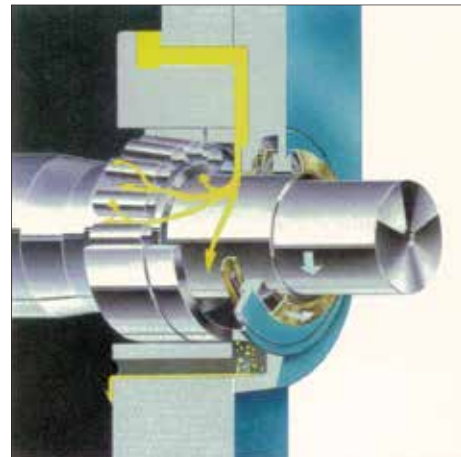
### 高效的解决方案

#### 优化齿形带来高效率

由于需要单级减速机传递大功率，减速机运行平稳至关重要。汉森研发的特殊齿形，使减少功率损失，减少震动和噪音成为可能。为创建安全低噪声的生态环境做出贡献。另外，高效能带来了运行成本的降低，如果仔细计算，节省部分的累加甚至超出最初在减速机的投资成本。

#### 整体式箱体设计

通过单级减速机传递大功率会产生很大的啮合力。在汉森P4系列单级减速机中，啮合力被安装在高刚性整体式箱体中的圆锥滚子轴承完全吸收。



### Oil Lock™ sealing system

With the Hansen P4 range, Hansen Industrial Transmissions nv introduced a revolutionary new maintenance free sealing system, as a standard on high speed shafts in all multistage gear units.

Its operating principle consists of centrifugal fling-off of the oil, followed by drainback to the oil sump. Flexible lips, which lift off during operation, are an integral part of the labyrinth construction, designed to keep the oil in and dirt out. At standstill, the flexible lips close and ensure additional sealing.

Because of its proven quality, the Oil Lock™ system has been chosen as the standard sealing for both in- and output shafts of the single stage range.

### 汉森“OIL LOCK”密封

“OIL LOCK”密封是汉森P4系列单级和多级减速机高速轴标准配置，具有免维护特性。

其工作原理是利用离心原理将油甩出，然后回流到箱体中。轴旋转时，柔性密封唇会打开，它也是迷宫密封密封的一部分，以保持内部的润滑油不流出，并防止灰尘进入。停机时，柔性密封唇闭合，可确保更好的密封效果。

为了提高质量，汉森P4单级减速机采用“OIL LOCK”密封作为高速轴和低速轴的标准配置。

# Hansen P4

## Single stage gear units – 单级减速机

### Quality Solutions

#### Serviceability

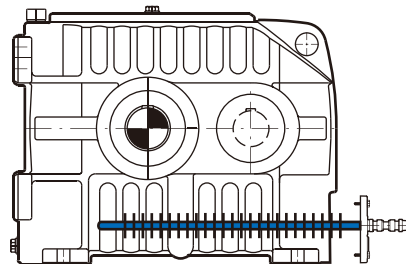
- **Oversized inspection cover**  
A large inspection cover on top of the unit allows inspection of gears and bearings.
- **Easily accessible taper roller bearings**  
By simply removing the bearing covers, taper roller bearings can easily be inspected and replaced on site. Complete disassembly of the gear unit is no longer required.
- **Extra service cover**  
An optional service cover for easy inspection of the lower internal parts can also be used for fitting a cooling coil or heater if required. This allows easy replacement and inspection.
- **Gear replacement**  
Replacement of the gear set e.g. for changing the ratio, can be done without any difficulty: the pinion shaft passes through the housing bore, and the gear can be pushed off the low speed shaft, making use of a support face inside the housing.



### 高品质解决方案

#### 维修方便性

- 加大的检查孔盖  
通过齿轮箱顶部上的加大检查孔盖可以检查齿轮和轴承。
- 易于检修的圆锥滚子轴承  
无需打开箱体，只需拆下轴承端盖，即可很容易地在现场检查和更换圆锥滚子轴承。
- 附加的检修孔盖  
选装的检修盖便于检查下侧内部零件，还可以用于安装冷却盘管或加热器。易于更换和检查。
- 齿轮更换  
可以毫不困难地更换齿轮副，即改变传动比：齿轴穿过箱体孔，而利用箱体内侧作支撑，可以将齿轮从低速轴上压下。



### Hansen industrial gear technology

Carburised and ground gearing for both bevel and helical gears is standard for all Hansen industrial gearboxes. Hansen industrial gears excel in strength, torque capacity, surface durability and low noise performance. Gas carburising and precision grinding guarantee heavy-duty gears transmitting, size for size, the highest power at the lowest noise level.

A long history of quality awareness was rewarded in 1991: the Hansen Industrial Transmissions nv factory in Belgium was the first in its industry to receive the ISO 9001 certificate.

#### Additional features facilitating installation, operation and service:

- Large mounting pads can accommodate extra dowel pins for easy realignment
- Total oil evacuation possible on the 4 sides of the gear unit
- Range of options for improved protection from hostile environment
  - labyrinth sealing
  - anti-dust or anti-moisture breather
  - range of special coatings
- Comprehensive catalogues and instruction manuals

### 汉森齿轮技术

汉森减速机的斜齿和伞齿轮均经过渗碳处理和精密磨削，使其在强度、扭矩容量、表面耐久性和低噪音性能方面都卓而不群。气体渗碳和精密磨削确保各种型号减速机的重载齿轮以最低的噪音传递最大扭矩。

汉森在 1991 年在比利时获得久负盛名的高品质奖，并且成为同行业中第一家获得 ISO 9001 认证的工厂。

#### 有助于安装、运转和维修的其它特点：

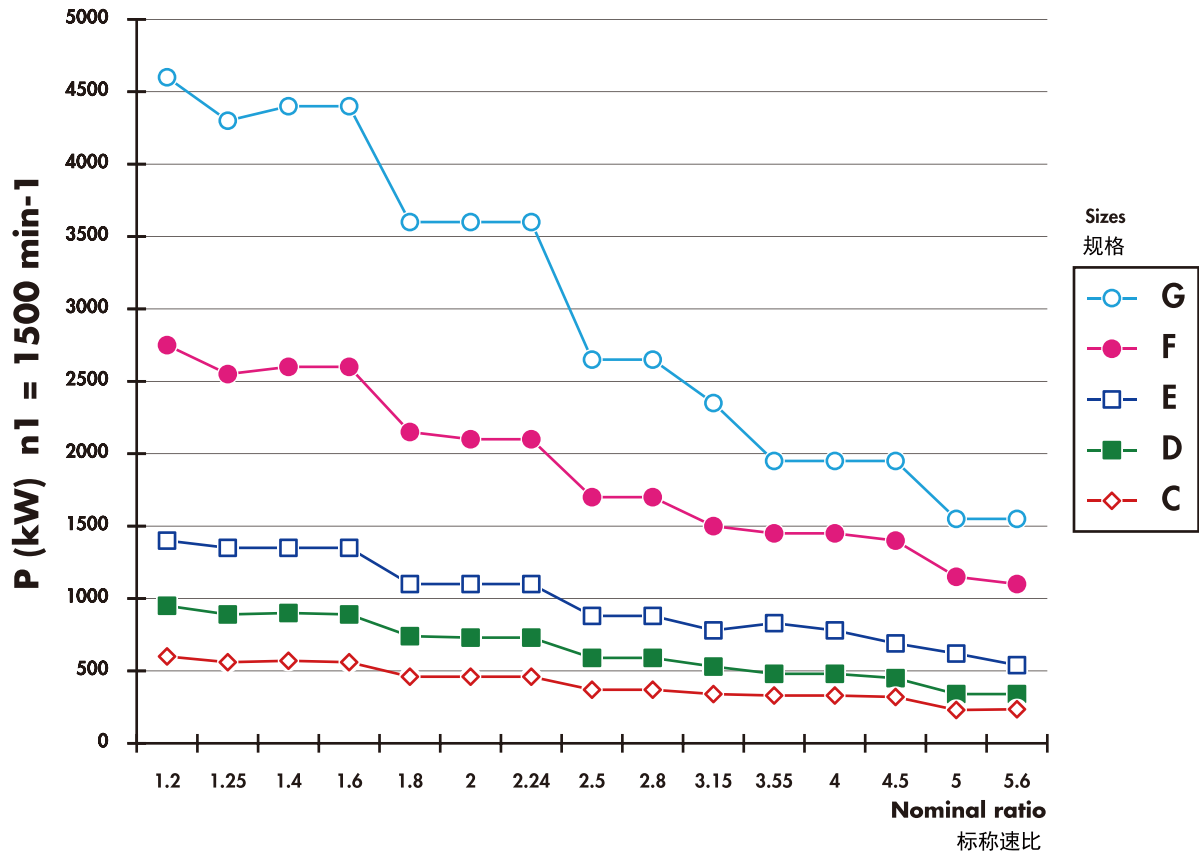
- 大尺寸地脚有利于加装定位销，易于拆装后对中
- 减速机可以从 4 面将空润滑油完全排空
- 为恶劣环境下工作的减速机提供系列选项
  - 迷宫密封
  - 防尘或防潮呼吸器
  - 各种喷漆标准
- 详尽的样本和使用手册

Product range

产品规格

Mechanical power rating

额定功率



QHP.1



QHP.1W

# GENERAL CONTENTS

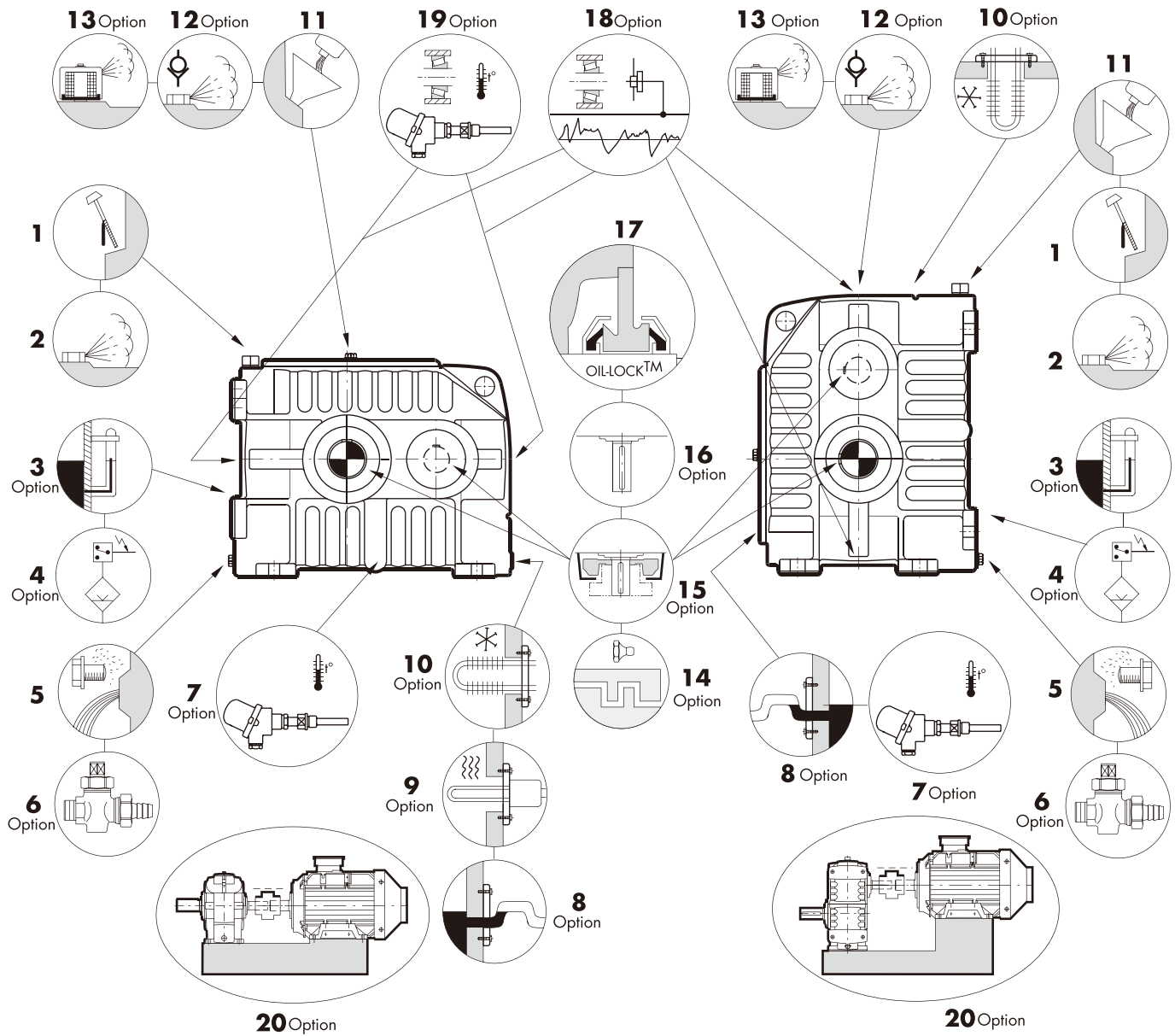
## 目录

Page 页码

		Page 页码	E		
<b>Section A</b>  <b>General</b>  概述	<b>Gear unit standard accessories and options</b>  <b>Description</b>  <b>Selection</b> Mechanical power rating Thermal power rating Application classification - Service Factor SF Detailed example of selection  <b>Gear unit specifications</b>  <b>Technical data requested for quotation</b>	减速机标准配置和选项  说明  选型 额定功率 额定热功率 应用分类 - 服务系数SF 选型示例  减速机技术规范  报价所需技术数据	A1  A3 - A4  A5 A6 A7 A8  A9  A10		
	<b>Section B</b>  <b>Tables</b>  选型表	<b>Mechanical power ratings</b> <b>Moments of inertia J</b>	额定功率 转动惯量J	B1 - B2 B2	
		<b>Thermal power ratings</b>	热功率	B3 - B4	
		<b>Factor a for ambient temperature without fan cooling</b>		B5 - B6	
		<b>Factor c for air circulation without fan</b>		B7 - B8	
		<b>Factor d for ambient temperature with fan cooling</b>  <b>d<sub>f</sub> for 1 fan</b>  <b>d<sub>ff</sub> for 2 fans</b>		B9 - B10  B11 - B12	
	<b>Section C</b>  <b>Dimensional drawings</b>  尺寸表	<b>Dimensional drawings for standard gear units</b>  Gear unit with high and low speed shaft in the same horizontal plane <b>(QHP.1)</b> 减速机高速轴和低速轴在同一水平面  Gear unit with high speed shaft above low speed shaft <b>(QHP.1W)</b> 减速机高速轴位于低速轴上方	标准减速机外形图    	C1 - C2  C3 - C4	
<b>Additional dimensional drawings for options:</b> Cooling coil Heater Oil sight glass Oil level switch Dust-proof breather plug Drain cock PT100 meter		附件安装图 冷却盘管 油加热器 油位镜 油位开关 防尘呼吸器 放油阀 PT100 温度传感器	C5 C6 C7 C7 C7 C8 C8		

# GEAR UNIT STANDARD ACCESSORIES AND OPTIONS

## 减速机标准配置和选项





## GEAR UNIT STANDARD ACCESSORIES AND OPTIONS

## 减速机标准配置和选项

 : optional : 选项

- 1 dipstick  
 2 breather plug  
 3  oil level glass  
 4  oil level switch  
 5 magnetic plug and draining plug  
 6  drain cock with hose coupling  
 7  Pt 100 meter for oil sump temperature  
 8  oil overflow  
 9  heater at ancillary cover  
 10  cooling coil at ancillary cover  
 11 oil filler plug  
 12  anti-humidity breather plug  
 13  dust-proof breather plug  
 14 regreasable labyrinth (DIN 71412):  
      at high speed shaft  
      at low speed shaft

- 15 standard fan:  
      single standard fan at high speed shaft  
      second standard fan at low speed shaft  
 16 extended shaft end  
      at high speed shaft  
      at low speed shaft  
 17 Oil-Lock™ seal at high and low speed shaft  
 18 nipple for vibration sensor  
      at high speed shaft  
      at low speed shaft  
 19 Pt 100 meter for bearing temperature:  
      at high speed shaft  
      at low speed shaft  
 20  base plate M10

- 1 油尺  
 2 呼吸器  
 3  油位镜  
 4  油位开关  
 5 磁性油堵和放油塞  
 6  放油阀带软管接头  
 7  油浴用Pt100温度传感器  
 8  溢油点  
 9  辅助盖安装加热器  
 10  辅助盖安装水冷盘管  
 11 加油点油堵  
 12  防潮呼吸器  
 13  防尘呼吸器  
 14 可重复加脂迷宫密封 (DIN71412)  
      高速轴  
      低速轴
- 15 标准风扇  
      标准单风扇在高速轴  
      第二标准风扇在低速轴  
 16 加长轴伸  
      高速轴  
      低速轴  
 17 Oil-Lock™ 油封在高速轴和低速轴  
 18 振动传感器接口  
      高速轴  
      低速轴  
 19 Pt 100 用于轴承的Pt100温度传感器  
      高速轴  
      低速轴  
 20  底座

## DESCRIPTION

## 说明

## The gear unit

## Coding

1	2	3	4	5	5 bis	6	7	8	9
Q	H	P		1				N	

## Type

- |            |   |
|------------|---|
| 1 : Series | <b>Q</b> : Hansen P4  |
| 2 :        | <b>H</b> : Horizontal low speed shaft                                       |
| 3 :        | <b>P</b> : Parallel shafts  |
| 4 :        | <b>Size</b> : C -> G  |
| 5 :        | <b>Number of stages</b> : 1   |
| 5 bis :    | <b>W</b> : High speed shaft above low speed shaft                           |
|            | <b>/:</b> High speed shaft and low speed shaft in the same horizontal plane |

## Shaft arrangement

- 6 : High speed shaft extension:  
**L** : left  
**R** : right

- 7 : Low speed shaft extension :  
**L** : left  
**R** : right

**Note:** Only shaft arrangement LR or RL is possible

- 8 : Low speed shaft type :  
**N** : normal solid shaft

## Ratio

- 9 : Nominal ratio

## Basic components

## Helical gears

Designed and rated:

- based on AGMA, ISO and long term field experience;
- for maximum load capacity, minimum losses and quiet operation.

The rating tables show the mechanical power ratings P expressed in kW, i.e. the power which the gear unit can transmit during 10h/day, at uniform load, whereby 5 peak torques up to 200% of the nominal torque and lasting not more than 5 seconds each, are allowed.

The mechanical power ratings shown in the tables relate respectively to input speeds of 1800, 1500, 1200, 1000, 900 and 750 RPM at the high speed shaft. They are also valid for full load speed which are max. 3% lower than the synchronous speeds.

Interpolation will yield power rating values for intermediate speeds. The power rating for speeds lower than 750 RPM is based on the continuous torque rating of that speed.

For input speeds exceeding 1800 RPM, please refer to us.

All geared components are manufactured from alloy steel, gas carburized, hardened and ground. The same applies to the high speed shafts.

## Low speed shafts

The low speed shaft is only available in solid version.

## Bearings

Heavy duty tapered roller bearings on all shafts.

Calculated in compliance with AGMA, ISO and renowned bearing manufacturers.

## Housings

Made from grey pearlitic cast iron.

Machined on CNC machining centers.

Designed to ensure strength and rigidity.

Designed to dissipate heat.

Designed to minimise noise.

## 减速机

## 编码

1	2	3	4	5	5 bis	6	7	8	9
Q	H	P		1				N	

## 型号

- |        |                       |
|--------|-----------------------|
| 1: 系列  | <b>Q</b> : 汉森 P4      |
| 2:     | <b>H</b> : 水平低速轴      |
| 3:     | <b>P</b> : 平行轴        |
| 4:     | 规格: C -> G            |
| 5:     | 级数: 1                 |
| 5 bis: | <b>W</b> : 高速轴位于低速轴上方 |
|        | <b>/:</b> 高低速轴在同一水平面  |

## 轴布置

- 6: 高速轴出轴方向:  
**L** : 左  
**R** : 右

- 7: 低速轴出轴方向:  
**L** : 左  
**R** : 右

注意: 出轴方式只有“左右”或“右左”两种。

- 8: 低速轴类型: **N**: 普通实心轴

## 速比

- 9: 标称速比

## 零部件

## 斜齿轮

设计与评估:

- 设计基于 AGMA、ISO 标准和长期的现场经验;
- 在额定功率表中可见P4单级减速机的超强承载能力, 最小功率损失和低噪音的特性。表中额定功率用 P 表示, 单位为kW。允许使用条件为: 减速机传递均匀载荷, 每天工作不超过10 小时, 高达额定功率200% 的峰值载荷少于 5 次, 每次持续时长不超过 5 秒。

表中所示的额定功率分别对应于高速轴上的输入转速: 1800、1500、1200 和 1000 RPM。同样适用于比同步转速, 最多低于 3% 的满载转速。

通过插值算法可得出中间转速的额定功率值。转速低于 750 RPM 的额定功率是根据此转速的持续额定扭矩计算的。

如输入转速高于 1800 RPM, 请咨询汉森。

所有齿轮齿轴均采用合金钢制造, 经过气体渗碳、淬火处理和精密磨削。高速轴也是如此。

## 低速轴

低速轴形式仅为实心轴。

## 轴承

轴承采用重载圆锥滚子轴承。

轴承计算寿命按照 AGMA ISO 和知名轴承制造厂商标准。

## 箱体

箱体材料采用珠光体灰口铸铁。

CNC 制造中心加工。

设计保证强度和刚度。

特殊设计的外形更利于散热。

可使噪音水平达到最低。

## Systems

### Lubrication

Lubricants: mineral and synthetic oils are allowed. Lubricants should always contain adequate EP-additives (refer to Service Manual).  
Splash lubrication is standard.

The gear unit housing acts as a large oil sump

Pressure lubrication: if specified in the selection tables.

Optional equipment : refer to page A1

### Sealing

Static: generalized use of sealing compound  
inspection cover: gasket seal

Rotary: high and low speed shafts:

- Oil Lock™ : - dual purpose labyrinth  
- maintenance free  
- oil return to sump
- grease purged labyrinth seal optional.

### Cooling

Heat generated in the gear unit while running, can be dissipated by:

- natural cooling through the housing
- fan cooling
- cooling coil
- combination of cooling coil and fan(s)
- oil-to-water or oil-to-air cooler
- central cooling system

For thermal check, refer to page A8

## Cooling provisions

### 1. Fan cooling

A single fan is mounted on the high speed shaft. A second fan can be mounted on the low speed shaft. Free air entry at the suction side should always be guaranteed.

### 2. Water cooling coil

The extra thermal power rating  $P_{TC+}$  and the connection dimensions as shown in the catalog apply for a cooling system as indicated hereafter:

- a standard cooling coil made from copper alloy CuNi10Fe1Mn complying with DIN 17664 and allowing the use of fresh as well as seawater. (Maximum permissible water pressure: 8 bar)
- difference between oil bath and cooling water temperature is 60°C
- waterflow ranging between 5 and 18 l/min; precise specifications are shown on the certified dimensional drawing.
- dimensional drawings on page C5.

**Remark:** The cooling coil can be removed without disassembling the gear unit.

### 3. Air and water cooling system

When the fan cooling is either insufficient, or unsuitable because of the nature of the application or when a water cooling coil is not taken into consideration, an oil-to-air or oil-to-water cooling system may be recommended. For the dimensional drawings refer to us.

#### 3.1. The standard oil-to-air cooling system

This system can either be connected to the gear unit or supplied with it as a separate element. (diagram, fig. page A5)

#### 3.2. The standard oil-to-water cooling system

This system can either be connected to the gear unit or supplied with it as a separate element (diagram, fig. page A5).

**3.3.** For cooling with the newly designed **Manifold** with built-on motor and pump and built-in measuring equipment, please refer to us.

## 系统

### 润滑系统

润滑剂：允许使用矿物油和合成油。润滑剂中应始终含有充足的EP 添加剂（参见服务手册）。

飞溅润滑为标准润滑方式。

减速机箱体可用作油池。

压力润滑：作为可选项。

附件及选项：参见 A1 页。

### 密封

静态密封：通常使用封口胶

减速机检查盖：密封垫片

转动密封：高速轴 低速轴：

Oil Lock™：-两用迷宫密封

-免维护

-油回流至箱体内部

-迷宫式密封

### 冷却系统

减速机运转时产生的热量可以通过以下方式散发：

- 通过箱体自然冷却
- 风扇冷却
- 水冷盘管
- 水冷盘管加风扇冷却
- 油-水冷却器或油-空气冷却器
- 集成式冷却系统

有关热功率校核，参见 A8 页。

### 冷却方式

#### 1. 风扇冷却

高速轴可安装单风扇。如需要双风扇，第二风扇可以安装在低速轴上。须始终保证风扇吸风侧的空气自由流动。

#### 2. 水冷盘管

选用水冷盘管增加的附加热功率  $P_{TC+}$  和水冷盘管连接尺寸参见样本有关章节及下列说明：

- 标准水冷盘管的材质为铜合金 (CuNi10Fe1Mn, DIN 17664), 允许使用淡水以及海水。(最大容许水压: 8 bar)
  - 油池中油温与冷却水温之间的差值为 60° C
  - 水流量在 5 至 18 l/min 之间; 具体数值见发行的外形图。
  - 安装尺寸图见 C5 页。

备注：拆卸水冷盘管不必拆开减速机。

#### 3. 空冷和水冷却系统

当风扇冷却不足以满足需要，或因为某些应用类型不适合时，或者当不考虑采用水冷盘管时，建议采用油-空气或油-水冷却系统。有关尺寸图，请咨询汉森。

##### 3.1. 标准油-空气冷却系统

此系统可以直接安装在减速机上，或作为一个独立部件随减速机一起提供。（见 A5 页插图）

##### 3.2. 标准油-水冷却系统

此系统可以直接安装在减速机上，或作为一个独立部件随减速机一起提供。（见 A5 页插图）

**3.3.** 关于采用特殊设计的带有电机，泵以及仪器仪表的一体化冷却系统，请咨询汉森。

## DESCRIPTION

## 说明

## 3.4. The standard elements of the cooling systems

- 1) **Positive displacement pump P** with incorporated pressure relief valve.  
Electric motor protection according to IP 54 (IEC)  
Standard voltage range is either 230V/400V, 50Hz or 276/480V, 60Hz
- 2) **Oil-to-air cooler B**  
A separately driven fan forces an air stream through the cooler. Standard voltage range is either 230V/400V, 50Hz or 276/480V, 60Hz
- 3) **Oil-to-water cooler C** using fresh water in counter flow.  
Max. water pressure: 8 bar  
An oil-to-water cooler C for cooling with seawater can be supplied upon special request.
- 4) **Flow switch Mf** controls the oil flow into the gear unit.  
This switch can trigger an alarm signal when the oil supply is inadequate. In such an event, the gear unit has to be stopped at once and the cause of the interruption of the oil supply has to be removed.
- 5) **Filter F** with incorporated pressure relief valve
- 6) **Thermostatic valve Vct1** in the oil circuit to by-pass cooler at low temperatures so as to limit oil pressure
- 7) **Thermometer It** to give actual monitored oil temperature
- 8) **Temperature switch Mt1** at the cooler outlet to indicate a high temperature condition
- 9) **Optional devices**  
The cooling system can be equipped with following standard options:
  - **Temperature switch Mt2** monitoring the motor of the air cooler (air cooling system)
  - **Thermostatic valve Vct2** in the water supply circuit (water cooling system) to conserve water
  - **Duplex filter F** for continuous operation, with incorporated pressure relief valve
  - **Electrical and/or visual contamination indicator** incorporated in the filter

**Note:** when a cooling system is fitted, the oil level must be checked after a short test run of the cooling system (cooler should be filled with oil).

## 3.4. 标准冷却系统图说明

- 1) 带集成卸压阀的正排量泵 P  
IEC电机防护等级为IP 54。标准电压范围为 230V/400V, 50Hz或 276/480V, 60Hz。
- 2) 油-空冷却器 B  
独立驱动的风扇强迫气流穿过冷却器。标准电压范围为 230V/400V, 50Hz 或 276/480V, 60Hz。
- 3) 油-水冷却器 C  
标准油-水冷却器, 采用淡水与油反向循环, 最大水压: 8 bar。如果需要海水油-水冷却器, 请咨询汉森。
- 4) 流量开关 Mf  
用于监测进入减速机油流量。当供油量不充分时, 该开关能够触发警报信号。在这种情况下, 必须立即停止减速机运转, 并解决供油不足的问题。
- 5) 带集成卸压阀的过滤器 F
- 6) 温控阀 Vct1  
用于油温低时在油路中旁通冷却器, 从而限制了油路中的压力。
- 7) 温度计 It。用于监测机油温度。
- 8) 温度开关 Mt1。位于冷却器出口, 用于监测高油温状态。
- 9) 可选配置

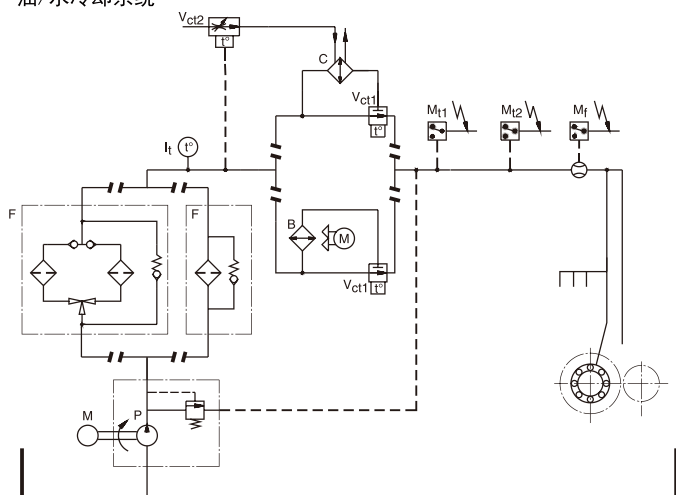
冷却系统可选装下列标准选项:

- 温度开关 Mt2, 监测空气冷却器的电机 (空气冷却系统)
- 温控阀 Vct2, 位于冷却器供水回路中 (水冷却系统), 节省用水。
- 双过滤器 F, 带集成卸压阀, 换滤芯时不用停机。
- 电子/或目视污染指示器, 集成在过滤器中。

备注: 当安装了冷却系统后, 必须在冷却系统短时间测试运转后检查油位 (冷却器应加满油)。

## Air and water cooling system

油/水冷却系统



**Optional accessories:** refer to page A1

### Base plate M10

#### Heater:

Immersion oil heater for low temperature start-up is optional.  
The heater can be removed without disassembling the gear unit.

#### Bearing monitoring:

temperature: Pt100 at high and/or low speed shaft  
vibration: nipple at high and/or low speed shaft

#### Oil level:

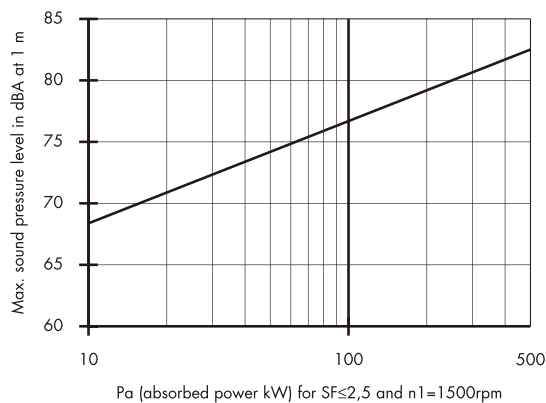
switch or oil sight glass

#### Oil sump temperature:

fixed alarm or adjustable alarm or meter Pt100

## Sound pressure level

The chart shows the maximum sound pressure level at 1 meter, with 90% probability for Hansen P4 gear units at 1500 rpm input speed. Certified sound pressure level on request



## Shipping conditions

### Inspection prior to shipment

- No load test
- Conformance check to the acknowledgment of order

### Protection

- Painting:
  - outer side housing: all Hansen P4 gear units are standard provided with a two component epoxy coating. Improved surface protection : good corrosion protection for many years in a non-aggressive atmosphere. Dry film thickness : average 100 μm (primer included). Excellent base for all kinds of special paints, these can also be applied on site after a longer period of time. Suitable to apply humidity resistant paint and high resistant paint as an option.
  - inner side housing: oil resistant paint
  - inner components: sprayed with rust preventive oil
- Shaft extensions: greased and protected with waxed waterproof paper

### Lubricants

- Units are shipped without oil.
- Grease lubrication points are factory filled.

For information relating to storage, handling, installation, starting-up and maintenance, refer to the Service Manual which is supplied with each unit.

附件及选项：参见 A1 页

底座 M10

加热器：

选装的浸入式油加热器，用于低温起动。可拆卸加热器，无需解体减速机。

轴承监测：

温度：Pt100温度传感器，用于监测高/低速轴轴承温度。

振动：高/低速轴轴承处的测量接口

油位：

开关或油位镜

油池温度：

固定，或可调温度开关，或 Pt100 温度传感器。

噪声等级

下图所示为汉森 P4 减速机的声压等级图。测试条件为距减速机 1 米处，输入转速 1500 rpm 时的最大声压级，概率为 90%。如需提供声压等级证书，请咨询汉森。

E

## 运输条件

### 装运前检查

- 空载测试
- 与订单确认书的一致性检查

### 保护措施

- 喷漆：
  - 箱体外部：标准汉森 P4 减速机外部喷涂双组分环氧漆。更好的表面保护：在非腐蚀性高的大气条件下，可提供多年的良好防腐保护。干膜厚度：平均 100 μm（包括底漆）。各种专用油漆的出色基层涂料，在较长时间后，还可以在现场喷涂。适合于喷涂防潮漆和作为选装配置的高耐漆。
  - 箱体内部：耐油漆
  - 内部部件：用防锈油喷涂
- 轴伸：加注润滑脂并用防水蜡纸保护

### 润滑剂

- 减速机采用无油装运。
- 出厂时所有加脂润滑点已加注润滑脂。

关于减速机的存放、搬运、安装、起动以及保养的有关信息请参见随减速机提供的服务手册。

# SELECTION Mechanical power rating

# 选型 额定功率

Code 代码	1	2	3	4	5	5 bis	6	7	8	9
	Q	H	P		1				N	

### Procedure 步骤

1 Q

**Q** series : Hansen P4 / Q系列汉森P4减速机

2 H

**H** : Horizontal low speed shaft/水平输出轴

3 P

**P** : Parallel shafts /平行轴

Application 应用  
Load conditions 负载  
Prime mover 驱动

▶

**SF** Service factor /服务系数 **SF**

Actual absorbed power **Pa**  
吸收功率

x

**SF**

≤

**P**

Size 规格  
Number of stages 级数  
Ratio 速比

▶

**P** Mechanical power rating 机械功率 **P**

5 bis

**W** : High speed shaft above low speed shaft /高速轴在低速轴上方

6

High speed shaft extension  
**L** : left / 左  
**R** : right / 右

7

Low speed shaft extension  
**L** : left / 左  
**R** : right / 右

**Note**: only shaft arrangement LR or RL is possible  
 备注: 出轴方式只有LR或RL

8 N

**N** : Normal solid low speed shaft 标准实心轴

### Reference Data 参考数据

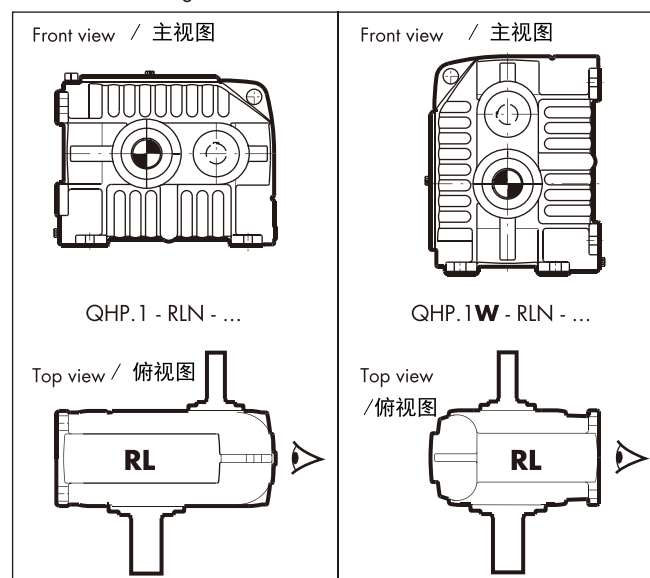
**SF**

▶ See page A9 / 参见A9页

**P**

▶ See page B1 - B2 / 参见B1 · B2页

### Dimensional drawings / 外形图



#### Other transmissions ratio's

Any arbitrary ratio between 1,2 and 5,6 can be matched with a maximum deviation of 1%. For dimensional drawings see pages C1 up to C4. Refer to us for the centre distance (dimension CA), for the exact ratio and power rating.

汉森可以提供从1.2至5.6之间的任意速比，误差在1%之内。外形图参见31-34页。

关于特殊速比，中心距（CA尺寸）和功率，请咨询汉森。

#### Customised centre distance: refer to us.

关于特殊中心距，请咨询汉森。

# SELECTION Thermal power rating

# 选型 额定热功率



## Thermal check / 热功率校核

$P_{tn}$  for gear unit without forced cooling  
/ 修正系数  $P_{tn}$  用于减速机无强制冷却

$P_a \leq P_{tn} \cdot a \cdot b \cdot c?$  No forced cooling required  
/ 无需强制冷却

Cooling fan possible / 是否可选择单风扇

$P_{ff}$  for gear unit with 1 fan  
/ 修正系数  $P_{ff}$  用于选装单风扇

$P_a \leq P_{ff} \cdot d_f \cdot b?$  One fan / 单风扇

2 cooling fans possible / 是否可选择双风扇

$P_{ff}$  for gear unit with 2 fans  
/ 修正系数  $P_{ff}$  用于选装双风扇

$P_a \leq P_{ff} \cdot d_{ff} \cdot b?$  Double fan / 双风扇

Water available / 有水源

Additional  $P_{tc}^+$  for cooling coil  
/ 修正系数  $P_{tc}^+$  用于选装水冷盘管

$P_a \leq (P_{tn} \cdot a \cdot c + P_{tc}^+) \cdot b?$  Cooling coil / 水冷盘管

$P_{ff}$  for gear unit with 1 fan  
Additional  $P_{tc}^+$  for cooling coil  
修正系数  $P_{ff}$  和  $P_{tc}^+$  用于选装单风扇加水冷盘管

$P_a \leq (P_{ff} \cdot d_f + 0,9 \cdot P_{tc}^+) \cdot b?$  One fan + cooling coil  
/ 单风扇 + 水冷盘管

Additional  $P_{tw}^+$  for oil-to-water cooling group  
/ 修正系数  $P_{tw}^+$  用于选装油-水冷却器

$P_a \leq (P_{tn} \cdot a \cdot c + P_{tw}^+) \cdot b?$  Cooling group size W...  
/ 冷却器规格W...

No water available / 无水源

Additional  $P_{ta}^+$  for oil-to-air cooling group  
/ 修正系数  $P_{ta}^+$  用于选装油-空气冷却器

$P_a \leq (P_{tn} \cdot a \cdot c + P_{ta}^+ \cdot d_f) \cdot b?$  Cooling group size A...  
/ 冷却器规格A...

## Reference Data / 参考数据

**Q H P • 1 • - - - - -**

$P_t$   
 $P_{tn}, P_{ff}, P_{ff}, P_{tc}^+$

p.B3 - B4 / 参见B3 - B4页

factor **a** for ambient temperature without fan cooling: refer to pages B5 - B6  
/ 修正系数 **a** 用于环境温度下无风扇: 参见B5 - B6页

factor **b** for duration of service / 系数 **b** 用于运行时间

h/year	h/day (max)				
	3	10	10	16	>16
1000	1,2	1,3	1,15	1,2	1,15
2000	-	-	1,1	1,1	1,1
≥ 4000	-	-	-	-	1
Size	C - D	E ▶ G	C - D	E ▶ G	C ▶ G

factor **c** for air circulation (without fan): refer to pages B7 - B8  
/ 修正系数 **c** 用于自然风无风扇环境: 参见B7 - B8页

factor **d** ( $d_f$  &  $d_{ff}$ ) for ambient temperature with fan cooling: refer to pages B9 - B12  
/ 修正系数 **d** ( $d_f$  &  $d_{ff}$ ) 用于自然环境加风扇冷却: 参见B7 - B8页

$P_{tw}^+$  oil-to-water cooling groups (kW)  
/ 用于选装油-水冷却系统 (kW)

Cooling group	W1	W1	W2	W2	W3	W3
冷却系统代码	QHPE1	QHPE1	QHPE1	QHPE1	QHPE1W	QHPE1
type / 型号	QHPE1W	QHPE1	QHPE1W			
$i_N$		QHPE1W				
1,2 -> 1,4	1150	1350	2200	2200	4200	4200
1,6	1250	1450	2400	2400	n.a.	4500
1,8	1000	1100	1900	1900	3500	3500
2	1000	1150	1950	1950	n.a.	3600
2,24	n.a.	1200	2050	2050	n.a.	3700
2,5	800	900	1550	1550	n.a.	2800
2,8 -> 3,15	n.a.	850	1400	1400	n.a.	2600
3,55	n.a.	650	1100	1100	n.a.	1950
4 - 4,5	n.a.	650	n.a.	1150	n.a.	2000
5 - 5,6	n.a.	500	n.a.	900	n.a.	n.a.

n.a.: not available / 不可选  $i_N$ : nominal ratio / 标称速比

$P_{ta}^+$  oil-to-air cooling groups (kW)  
/ 用于选装油-空气冷却系统 (kW)

Cooling group	A1	A1	A2	A2	A3	A3
冷却系统代码	QHPE1	QHPE1	QHPE1	QHPE1	QHPE1W	QHPE1
type / 型号	QHPE1W	QHPE1	QHPE1W			
$i_N$		QHPE1W				
1,2 -> 1,4	900	1000	1750	1750	3000	3000
1,6	1000	1100	1900	1900	n.a.	3200
1,8	750	850	1500	1500	2600	2600
2	800	900	1550	1550	n.a.	2600
2,24	n.a.	950	1650	1650	n.a.	2750
2,5	700	700	1200	1200	n.a.	2050
2,8 -> 3,15	n.a.	650	1150	1150	n.a.	1900
3,55	n.a.	600	850	850	n.a.	1400
4 - 4,5	n.a.	500	n.a.	850	n.a.	1450
5 - 5,6	n.a.	400	n.a.	650	n.a.	n.a.

n.a.: not available / 不可选  $i_N$ : nominal ratio / 标称速比

**SELECTION**  
**Application classification**  
**- Service Factor SF**

**选型**  
**应用分类 - 服务系数SF**

APPLICATION	SF min						应用
	3h		10h		24h		
	on Pa	24h on Pm	on Pa	24h on Pm	on Pa	24h on Pm	
<b>Blowers</b>							鼓风机
Centrifugal	1,25	1,15	1,25	1,15	1,5	1,15	离心
Lobe, vane	1,25	1,15	1,25	1,15	1,5	1,25	凸轮, 叶片
<b>Compressors</b>							压缩机
Centrifugal	1,25	1,15	1,5	1,25	1,5	1,25	离心
Lobe	1,25	1,15	1,5	1,25	1,75	1,25	叶片
Waterring	1,25	1,15	1,5	1,25	1,75	1,5	水环
Reciprocating, multi-cylinder		1,25	1,75	1,5	1,75	1,5	多缸往复
Reciprocating, single-cylinder		1,5	2	1,75	2	1,75	单缸往复
<b>Crushers</b>							破碎机
Stone, ore, concrete		1,75		2		2,25	岩石, 矿石, 混凝土
garbage		1,5		1,5		1,75	叶片
<b>Energy conversion</b>							能量转换
Frequency converters		1,5		1,5		1,75	变频器
Water turbines (small)					2	1,75	水轮机
<b>Fans</b>							风机
Dry cooling towers			1,75	1,5	2	1,75	干式冷却塔
Wet cooling towers			1,75	1,5	2	1,75	湿式冷却塔
Large fans (industrial, mining)	1,25	1,15	1,5	1,25	1,75	1,25	大型风机 (工厂, 矿山)
<b>Mills</b>							磨机
Ball, rod	1,5	1,25	1,75	1,5	2	1,75	球, 棒
Autogene	1,5	1,25	2	1,5	2	1,75	自磨机
<b>Pulp and Paper</b>							纸浆和造纸
Breaker stack					1,5	1,25	破碎机
Chipper						2,5	切片机
Calenders					1,5	1,25	研光机
Super calenders					1,5	1,25	超级研光机
Coating rolls					1,5	1,25	涂布辊
Couch					1,5	1,25	伏辊
Dryers (anti-friction bearings)					1,5	1,25	烘缸 (耐磨轴承)
Lumpbreaker					1,5	1,25	块状破碎机
Metering rolls					1,5	1,25	计量辊
Presses (felt/suction)					1,5	1,25	压榨机 (毛毡 / 吸水)
Presses: size press					1,5	1,25	施胶压榨
Reel (surface type)					1,5	1,25	纸辊 (表面卷曲式)
Refiner						1,5	磨浆机
Spools (Starter/MT, Hope/ Paper rolls)					1,25	1,25	卷筒 (初始/中间, 纸卷)
Thermal rolls					1,5	1,25	热辊
Vacuum pump							真空泵
Centrifugal						1,75	离心
Waterring						1,75	水环
Piston						2	活塞
Windup, unwind					1,75	1,5	纸辊 (表面卷曲式)
Wire: turning, return					1,5	1,25	转向, 返回
<b>Pumps</b>							泵
Centrifugal	1,25	1,15	1,25	1,15	1,5	1,15	离心
Proportioning	1,25	1,15	1,25	1,15	1,5	1,15	比例
Rotary gear type, lobe, vane	1,25	1,15	1,25	1,15	1,5	1,15	旋转齿轮, 凸轮, 叶片
Reciprocating, multi-cylinder	1,25	1,15	1,5	1,25	1,75	1,5	多缸往复
Reciprocating, single-cylinder	1,5	1,25	1,75	1,5	2	1,75	单缸往复

Pa = absorbed power / 吸收功率

Pm = nameplate rating of the electric drive motor (or generator) at the motor (or generator) rated base speed.

/ 电机 (或发电机) 额定转速下的额定功率, 见电机铭牌

- These service factors SF are empirical values based on AGMA and ISO specifications and our experience.

They apply for "State of the art" designed driven machines and normal operating conditions.

They apply for electric motors as prime movers-if prime motor is a multicylinder combustion motor, 0,25 has to be added to the SF.

For multiple drives consider the actual load sharing.

Refer to us for special designed applications or special operating conditions.

- 表中所列出的最小服务系数是基于AGMA标准和汉森经验的, 适用于正常工作环境下, 用电机驱动的, 传统的和现代化设备。如果采用多缸内燃式发动机驱动时, 必须在SF上增加0,25。对于多驱动型式, 应考虑实际负载分配。

有关特殊的应用或特殊工作条件, 请咨询汉森。

- Other applications not listed: refer to us

- 对于其它未列入的应用, 请咨询汉森。





TECHNICAL DATA REQUESTED FOR QUOTATION

询价用技术数据

APPLICATION:

应用:

1. LOAD / 负载

Motor power P<sub>m</sub> = kW at min-1  
电机功率

Absorbed power Pa = kW  
吸收功率

Absorbed torque Ta = kNm  
吸收扭矩

Running time in h/day ≤3  ≤10  >10   
每天工作时间

Peak torque in excess of 200% Ta = %  
峰值扭矩超过吸收扭矩200%

Number of starts/stops per 10 hours ≤5  >5   
10小时内启动停止次数

Bidirectional load Y  N   
双向转动

2. SPEED / 转速

Constant speed Variable speed   
恒定转速

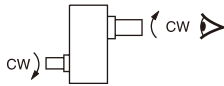
Constant torque across the speed range   
在转速范围内为恒定扭矩

Constant power across the speed range   
在转速范围内为恒定扭功率

High speed shaft (HSS) n1: ≤ min-1 ≤  
高速轴

Low speed shaft (LSS) n2: ≤ min-1 ≤  
低速轴

direction of rotation : CW  CCW   
旋向



Remark: direction of rotation is always the same for HSS and LSS  
高低速轴旋向相同

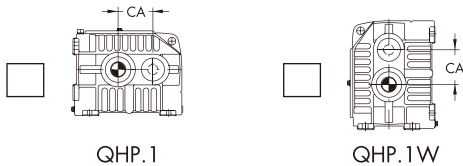
Special ratio  i = ....

3. DIMENSIONS / 尺寸

Customized centre distance  CA = ....  
特殊中心距

最大和最小中心距: 参见 C2&C4 页

Mounting position  
安装位置



4. PRIME MOVER / 原动机

Electric motor   
电机

Internal combustion engine: single cylinder   
内燃机: 单缸

multi cylinder   
多缸

5. CONNECTION MOTOR/GEAR UNIT / 连接电机和减速机

Flexible coupling

弹性联轴器

Hydrodynamic coupling

液力耦合器

Other: ...

其它

6. CONNECTION GEAR UNIT/APPLICATION / 连接减速机和工作机

coupling  .....  
联轴器

other to specify :  
其它方式

7. BRAKE / 制动器

Y  N

Drum

鼓式

Disc

盘式

Dia: mm

N° of callipers  
制动点数量

Nominal torque: kNm  
额定扭矩:

Peak torque: kNm  
峰值扭矩:

Braking frequency: ≤10/h  ≥10/h   
制动频率:

At which shaft: HSS  LSS   
安装轴

8. OPERATIONAL PARAMETERS / 工作环境参数

Ambient temperature (°C) min: max:  
环境温度

Location : small enclosure  indoor  outdoor   
安装地点: 狭小密闭空间 室内 室外

Direct sun exposure Y  N   
阳光直射

Max. sound pressure level : dBA at ..... m  
最大声压值

Atmosphere: humid  
环境: 潮湿

dusty

灰尘

aggressive, to specify

侵蚀性环境, 见规定

Electric installation AC DC V Hz  
电源

Main power supply    .....  
主电源

Auxiliary power supply    .....  
辅电源

Protection requirement:  
防护等级:

Insulation:  
绝缘等级:

If additional cooling is required, check & specify method to be used:

如果需要附加冷却, 请从下列方式中选择和确认:

Fan   
风扇

Oil-to-air cooler   
油-空气冷却系统

Cooling coil   
水冷盘管

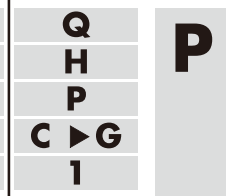
Oil-to-water cooler   
油-水冷却系统

Availability of water Y  N   
是否有水源

if salt or aggressive, specify  
如果水中有盐或腐蚀性介质, 请注明.

Gear unit  
Horizontal low speed shaft  
Parallel shafts  
Size  
Single stage

减速机  
水平低速轴  
平行轴  
规格  
单级



**Mechanical power ratings**

额定功率

**kW**

i <sub>N</sub>	i <sub>ex</sub>	min <sup>-1</sup>		Size 规格				
		n <sub>1</sub>	n <sub>2</sub>	C	D	E	F	G
1,2	1,2000	1800	1500	720	1150	1700	3300 *	5500 *
		1500	1250	600	950	1400	2750	4600 *
		1200	1000	490	780	1150	2200	3700
		1000	830	410	650	960	1850	3100
		900	750	370	590	870	1700	2850
		750	630	310	500	740	1400	2400
1,25	1,2553	1800	1440	670	1050	1600	3100 *	5100 *
		1500	1200	560	900	1350	2550	4300 *
		1200	960	460	730	1100	2100	3500
		1000	800	380	610	910	1750	2950
		900	720	350	550	820	1600	2650
		750	600	295	470	700	1350	2250
1,4	1,4255	1800	1300	670	1050	1600	3100 *	5100 *
		1500	1050	570	900	1350	2600	4400 *
		1200	860	460	740	1100	2100	3600
		1000	710	380	620	910	1750	3000
		900	640	350	560	820	1600	2700
		750	540	295	470	700	1350	2250
1,6	1,5745	1800	1125	670	1050	1600	3100 *	5100 *
		1500	940	560	890	1350	2600	4400 *
		1200	750	450	730	1100	2100	3500
		1000	625	380	610	900	1750	3000
		900	560	350	550	820	1600	2700
		750	470	290	460	690	1350	2250
1,8	1,7632	1800	1000	550	880	1300	2500	4200 *
		1500	830	460	740	1100	2150	3600
		1200	670	370	600	890	1700	2900
		1000	560	310	500	750	1450	2450
		900	500	285	460	670	1300	2200
		750	420	240	380	570	1100	1850
2	1,9474	1800	900	550	870	1300	2500	4200 *
		1500	750	460	730	1100	2100	3600
		1200	600	370	600	880	1700	2900
		1000	500	310	500	740	1450	2450
		900	450	280	450	670	1300	2200
		750	380	240	380	570	1100	1850
2,24	2,2105	1800	800	550	860	1300	2500	4200 *
		1500	670	460	730	1100	2100	3600
		1200	540	370	590	880	1700	2900
		1000	450	310	500	740	1450	2450
		900	400	280	450	670	1300	2200
		750	330	240	380	570	1100	1850
2,5	2,4667	1800	720	450	700	1050	2050	3100
		1500	600	380	590	880	1700	2650
		1200	480	300	480	720	1400	2200
		1000	400	255	400	600	1150	1900
		900	360	230	370	540	1050	1700
		750	300	190	310	460	890	1450
2,8	2,8000	1800	640	450	700	1050	2050	3100
		1500	540	370	590	880	1700	2650
		1200	430	300	470	720	1400	2200
		1000	360	255	400	600	1150	1900
		900	320	230	360	540	1050	1700
		750	270	190	300	460	890	1450
3,15	3,1111	1800	570	400	630	930	1800	2750
		1500	480	340	530	780	1500	2350
		1200	380	275	420	640	1250	1950
		1000	320	230	360	530	1050	1700
		900	285	205	320	480	940	1550
		750	240	175	270	400	790	1300

\* Pressure lubrication is required. Refer to us

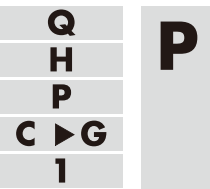
i<sub>N</sub> Nominal ratio  
n<sub>1,2</sub> Nominal speed (rpm)

\* 要求压力润滑  
向汉森传动咨询

i<sub>N</sub> 标称速比  
n<sub>1,2</sub> 标称转速 (rpm)

# Hansen P4

Gear unit	减速机
Horizontal low speed shaft	水平低速轴
Parallel shafts	平行轴
Size	规格
Single stage	单级



## Mechanical power ratings

额定功率

**kW**

i <sub>N</sub>	i <sub>ex</sub>	min <sup>-1</sup>		Size 规格				
		n <sub>1</sub>	n <sub>2</sub>	C	D	E	F	G
3,55	3,5263	1800	510	380	560	960	1650	2250
		1500	420	330	480	830	1450	1950
		1200	340	275	400	690	1200	1600
		1000	280	235	350	580	1050	1400
		900	255	215	320	520	940	1250
		750	210	185	270	430	800	1100
4	3,8947	1800	450	380	560	940	1650	2250
		1500	375	330	480	780	1450	1950
		1200	300	275	400	620	1200	1600
		1000	250	235	340	520	1050	1400
		900	225	215	300	470	940	1250
		750	190	185	255	410	790	1100
4,5	4,4211	1800	400	380	540	830	1650	2250
		1500	330	320	450	690	1400	1950
		1200	265	270	360	580	1100	1600
		1000	220	235	295	510	930	1400
		900	200	215	275	470	840	1250
		750	165	185	240	410	700	1050
5	4,9333	1800	360	280	400	740	1300	1800
		1500	300	250	340	620	1150	1550
		1200	240	200	275	490	910	1300
		1000	200	170	235	410	760	1100
		900	180	155	220	370	690	1000
		750	150	130	190	330	580	860
5,6	5,6000	1800	320	280	410	650	1300	1800
		1500	270	250	340	540	1100	1550
		1200	215	205	275	450	880	1300
		1000	180	175	235	400	730	1100
		900	160	155	215	370	660	980
		750	135	130	190	330	560	820

QHP.1.  
P (kW)  
J (kgm<sup>2</sup>)

## Moments of inertia J related to the HSS

高速轴转动惯量

**J** kgm<sup>2</sup>

i <sub>N</sub>	Size - Taille - Baugröße - Tamaño				
	C	D	E	F	G
1,2	0,115	0,26	0,52	1,55	3,8
1,25	0,1	0,22	0,45	1,35	3,3
1,4	0,11	0,245	0,49	1,45	3,6
1,6	0,115	0,25	0,5	1,5	3,7
1,8	0,065	0,15	0,3	0,89	2,15
2	0,07	0,155	0,32	0,94	2,3
2,24	0,085	0,185	0,37	1,1	2,65
2,5	0,045	0,1	0,205	0,59	1,45
2,8	0,05	0,115	0,235	0,68	1,7
3,15	0,04	0,095	0,195	0,56	1,4
3,55	0,02	0,07	0,19	0,47	1,1
4	0,025	0,07	0,205	0,51	1,15
4,5	0,04	0,085	0,24	0,6	1,35
5	0,02	0,055	0,145	0,36	0,83
5,6	0,03	0,065	0,17	0,42	0,96

i<sub>N</sub> Nominal ratio  
n<sub>1,2</sub> Nominal speed (rpm)

i<sub>N</sub> 标称速比  
n<sub>1,2</sub> 标称转速 (rpm)

Gear unit	减速机				
Horizontal low speed shaft	水平低速轴				
Parallel shafts	平行轴				
Size	规格				
Single stage	单级				

**Thermal power ratings** 额定热功率 **kW**

n <sub>1</sub> (min <sup>-1</sup> )		1800					1500					1200				
i <sub>N</sub>		Size 规格														
		C	D	E	F	G	C	D	E	F	G	C	D	E	F	G
1,2	-	210	690	950	1050		250	260	950	1200	1400	280	320	390	1200	1600
	1	570					550	680				510	650	910		
	2	790	980	1450	1800	2200	730	920	1400	1800	2300	660	840	1250	1700	2300
	P <sub>tc</sub> <sup>+</sup>	500	620	790	1950	2150	470	580	730	1950	2550	430	540	680	1750	2350
1,25	-	210					240	260				260	310	370		
	1	540	660	910	1050		520	650	900	1150	1400	480	610	870	1150	1500
	2	740	920	1350	1700	2100	690	870	1300	1700	2200	620	790	1200	1600	2200
	P <sub>tc</sub> <sup>+</sup>	470	580	740	1850	2100	440	550	690	1800	2450	400	510	630	1650	2200
1,4	-	240					270	290	340			290	340	420		
	1	600	730	1000	1200	1400	560	700	990	1300	1600	520	660	940	1250	1700
	2	790	970	1450	1900	2300	720	910	1350	1800	2400	650	830	1250	1700	2300
	P <sub>tc</sub> <sup>+</sup>	500	610	770	2050	2400	460	580	720	1850	2550	430	540	670	1700	2250
1,6	-	260	270				290	320	380			310	360	450	560	
	1	640	780	1100	1350	1600	600	750	1050	1400	1800	550	700	1000	1350	1800
	2	820	1000	1500	1950	2500	750	950	1400	1900	2500	670	860	1300	1750	2400
	P <sub>tc</sub> <sup>+</sup>	520	640	800	2150	2600	480	600	750	1950	2600	450	560	700	1800	2350
1,8	-	220	230				240	270	320			240	290	370	470	
	1	500	620	870	1100	1400	470	600	840	1100	1500	430	550	790	1100	1500
	2	630	790	1150	1500	2000	580	730	1100	1500	2000	510	660	990	1350	1900
	P <sub>tc</sub> <sup>+</sup>	400	490	620	1600	2200	370	460	580	1500	2000	350	430	540	1350	1850
2	-	240	250				250	290	340			260	310	400	510	
	1	530	660	930	1200	1500	500	630	890	1200	1600	450	580	830	1150	1600
	2	650	820	1200	1600	2100	600	760	1150	1500	2100	530	690	1000	1400	1900
	P <sub>tc</sub> <sup>+</sup>	410	510	640	1650	2300	390	490	610	1550	2050	360	450	560	1450	1900
2,24	-	250	270				270	310	370			270	330	420	560	
	1	560	700	980	1300	1650	520	660	940	1250	1700	470	610	870	1200	1650
	2	670	840	1250	1700	2200	620	780	1150	1600	2200	550	700	1050	1450	2000
	P <sub>tc</sub> <sup>+</sup>	430	530	670	1700	2350	400	500	630	1600	2150	380	470	590	1500	1950
2,5	-	210	220				210	240	300			210	250	330	440	560
	1	450	540	760	1000	1300	410	510	720	990	1300	370	460	670	920	1250
	2	520	640	940	1300	1700	480	590	870	1200	1600	420	520	780	1100	1500
	P <sub>tc</sub> <sup>+</sup>	330	400	500	1250	1700	310	380	470	1200	1600	290	350	440	1100	1450
2,8	-	220	230	280			220	250	320			220	260	340	470	590
	1	460	560	790	1050	1400	430	530	750	1050	1400	380	480	690	960	1300
	2	540	650	960	1300	1700	490	600	890	1200	1650	430	530	800	1100	1500
	P <sub>tc</sub> <sup>+</sup>	340	410	510	1300	1750	320	390	480	1200	1600	300	360	450	1150	1500
3,15	-	200	210	260			200	230	290			200	240	310	420	550
	1	410	510	720	970	1250	380	470	670	930	1250	340	430	620	860	1200
	2	470	570	850	1150	1550	420	530	790	1100	1500	370	470	700	990	1350
	P <sub>tc</sub> <sup>+</sup>	300	360	450	1150	1550	280	340	430	1100	1450	265	320	400	1000	1350
3,55	-	145	160				150	170	240			145	170	250	330	410
	1	310	380	590	770	940	280	350	550	730	930	250	320	500	670	890
	2															
	P <sub>tc</sub> <sup>+</sup>	220	265	370	910	1150	210	250	340	840	1100	195	235	320	780	1000
4	-	150	160				150	170	240			150	180	260	340	420
	1	310	380	600	780	970	290	360	560	740	950	260	320	510	690	910
	2															
	P <sub>tc</sub> <sup>+</sup>	225	270	370	920	1150	215	255	350	860	1100	200	240	320	800	1000
4,5	-	150	170	230			155	180	250			150	180	260	350	430
	1	320	390	610	800	1000	290	360	570	760	980	260	330	520	700	930
	2															
	P <sub>tc</sub> <sup>+</sup>	230	275	380	930	1200	215	260	350	870	1100	200	240	330	810	1050
5	-	115	130				115	135	190			115	135	195	260	330
	1	240	290	460	610	760	220	270	430	570	740	190	240	390	530	700
	2															
	P <sub>tc</sub> <sup>+</sup>	170	205	280	690	890	160	190	265	650	830	150	180	245	600	770
5,6	-	115	130	180			115	135	190			115	135	200	270	340
	1	240	300	470	620	780	220	280	430	580	760	200	250	390	540	720
	2															
	P <sub>tc</sub> <sup>+</sup>	170	205	280	700	900	165	195	265	660	840	150	185	250	610	780

Number of fans.  
Correction factors - see p. A8 & B9 - B12

风扇数量  
/修正系数-见A8和B9 - B12页

P<sub>tc</sub><sup>+</sup> Additional thermal power with cooling coil - see p. A8

P<sub>tc</sub><sup>+</sup> 水冷盘管的附加热功率  
见A8页

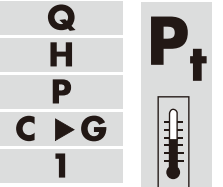
i<sub>N</sub> Nominal ratio  
n<sub>1</sub> Nominal speed (rpm) on high speed shaft

i<sub>N</sub> 标称速比  
n<sub>1</sub> 标称转速 (rpm)

# Hansen P4

Gear unit  
Horizontal low speed shaft  
Parallel shafts  
Size  
Single stage

减速机  
水平低速轴  
平行轴  
规格  
单级



## Thermal power ratings

额定热功率

kW

n <sub>1</sub> (min <sup>-1</sup> )		1000					900					750				
i <sub>N</sub>	☞	Size 规格														
		C	D	E	F	G	C	D	E	F	G	C	D	E	F	G
1,2	-	280	340	440	550	1600	280	350	450	600	770	280	360	470	650	870
	1	480	610	870	1200	2200	460	590	850	1150	1600	420	560	800	1100	1550
	2	600	780	1150	1600	2200	570	740	1100	1500	2100	510	680	1000	1400	2000
	P <sub>tc</sub> <sup>+</sup>	410	520	640	1650	2200	400	500	620	1550	2100	380	470	590	1500	1950
1,25	-	270	330	420	530	1500	270	340	430	580	740	270	340	450	620	840
	1	450	580	830	1150	2100	430	560	800	1100	1500	400	520	750	1050	1500
	2	560	730	1100	1500	2100	530	690	1050	1400	2000	480	630	950	1300	1900
	P <sub>tc</sub> <sup>+</sup>	380	480	600	1550	2050	370	470	580	1500	1950	350	440	550	1400	1850
1,4	-	290	360	460	600	770	290	360	470	640	840	290	370	480	670	920
	1	480	620	890	1200	1700	460	600	860	1200	1650	430	560	810	1100	1600
	2	590	760	1150	1600	2200	560	720	1100	1500	2100	500	660	990	1400	1900
	P <sub>tc</sub> <sup>+</sup>	410	510	640	1600	2150	400	500	620	1550	2050	370	470	580	1450	1950
1,6	-	310	380	490	650	840	310	390	500	690	910	300	390	510	710	990
	1	510	660	940	1300	1800	490	640	910	1250	1750	450	590	850	1200	1700
	2	610	790	1200	1600	2300	580	750	1100	1550	2200	520	680	1000	1400	2000
	P <sub>tc</sub> <sup>+</sup>	430	530	660	1650	2200	410	520	640	1600	2150	390	490	610	1550	2000
1,8	-	240	300	390	530	700	240	300	400	550	750	230	300	410	570	790
	1	400	520	750	1050	1400	380	500	720	1000	1400	350	460	670	940	1300
	2	460	610	910	1250	1800	440	570	860	1200	1700	400	520	790	1100	1550
	P <sub>tc</sub> <sup>+</sup>	330	410	510	1300	1700	320	400	500	1250	1650	300	380	470	1200	1550
2	-	250	320	420	570	760	250	320	420	580	800	240	320	430	600	840
	1	420	540	780	1100	1500	400	520	750	1050	1500	360	480	700	980	1400
	2	480	630	940	1300	1800	450	590	890	1250	1750	410	540	810	1150	1600
	P <sub>tc</sub> <sup>+</sup>	340	430	530	1350	1800	330	420	520	1300	1700	320	390	490	1250	1650
2,24	-	270	340	440	600	810	260	340	440	620	850	260	330	450	630	880
	1	440	570	820	1150	1600	410	550	790	1100	1550	380	500	730	1050	1450
	2	490	640	960	1350	1900	470	610	910	1300	1800	420	550	830	1200	1650
	P <sub>tc</sub> <sup>+</sup>	360	450	550	1400	1850	350	430	540	1350	1800	330	410	510	1300	1700
2,5	-	210	250	340	470	620	200	250	340	470	640	200	250	340	470	660
	1	340	430	620	870	1200	320	410	590	830	1150	300	380	550	770	1100
	2	380	480	710	1000	1400	350	450	680	950	1300	320	410	610	870	1200
	P <sub>tc</sub> <sup>+</sup>	275	330	410	1050	1350	265	320	400	1000	1350	255	310	380	960	1250
2,8	-	220	260	350	490	650	210	260	350	490	670	210	260	350	490	680
	1	350	440	640	900	1250	330	420	610	860	1200	310	390	560	800	1100
	2	380	480	730	1000	1400	360	460	690	970	1350	330	410	620	890	1250
	P <sub>tc</sub> <sup>+</sup>	285	340	420	1100	1400	275	330	410	1050	1350	265	320	390	990	1300
3,15	-	190	240	310	440	590	180	230	310	440	610	180	230	310	440	620
	1	310	400	570	810	1100	290	380	550	770	1100	270	340	500	720	1000
	2	340	430	640	910	1250	310	400	600	860	1200	290	360	550	780	1100
	P <sub>tc</sub> <sup>+</sup>	250	300	380	960	1250	240	295	370	930	1200	230	280	350	890	1150
3,55	-	140	170	250	340	440	140	140	250	340	460	135	170	240	340	470
	1	230	290	460	630	840	220	250	440	600	810	200	250	390	550	760
	2	185	225	300	740	950	180	225	295	720	920	170	205	280	680	870
	P <sub>tc</sub> <sup>+</sup>	185	225	300	740	950	180	225	295	720	920	170	205	280	680	870
4	-	145	180	260	350	450	140	135	260	350	470	140	170	240	350	480
	1	230	300	470	640	860	220	250	440	610	830	200	260	400	560	770
	2	190	225	310	750	960	180	230	295	730	930	170	205	285	690	880
	P <sub>tc</sub> <sup>+</sup>	190	225	310	750	960	180	230	295	730	930	170	205	285	690	880
4,5	-	150	180	260	360	470	145	140	260	360	480	140	170	250	350	490
	1	240	300	480	650	880	220	250	450	620	850	210	260	410	570	790
	2	190	230	310	770	980	185	235	300	740	950	175	210	290	700	900
	P <sub>tc</sub> <sup>+</sup>	190	230	310	770	980	185	235	300	740	950	175	210	290	700	900
5	-	110	135	190	270	360	110	130	190	270	360	105	130	190	270	370
	1	175	220	350	490	660	170	210	340	460	640	150	190	310	440	590
	2	140	170	230	570	730	135	165	235	550	710	130	155	210	540	670
	P <sub>tc</sub> <sup>+</sup>	140	170	230	570	730	135	165	235	550	710	130	155	210	540	670
5,6	-	110	135	195	270	360	110	135	200	270	370	105	130	200	280	370
	1	180	230	360	500	670	170	210	350	470	650	150	195	310	450	600
	2	140	170	235	580	740	140	165	230	560	720	130	155	215	540	680
	P <sub>tc</sub> <sup>+</sup>	140	170	235	580	740	140	165	230	560	720	130	155	215	540	680

QHP.1.  
Pt (kW)

☞ Number of fans.  
Correction factors - see p. A8 & B9 - B12

☞ 风扇数量  
/修正系数-见A8和B9 - B12页

P<sub>tc</sub><sup>+</sup> Additional thermal power with cooling coil - see p. A8

P<sub>tc</sub><sup>+</sup> 水冷盘管的附加热功率  
见A8页

i<sub>N</sub> Nominal ratio  
n<sub>1</sub> Nominal speed (rpm) on high speed shaft

i<sub>N</sub> 标称速比  
n<sub>1</sub> 标称转速 (rpm)

Gear unit	减速机				<table border="1"> <tr><td>Q</td></tr> <tr><td>H</td></tr> <tr><td>P</td></tr> <tr><td>C ▶ G</td></tr> <tr><td>I</td></tr> </table>	Q	H	P	C ▶ G	I	<table border="1"> <tr><td>a</td></tr> </table>	a
Q												
H												
P												
C ▶ G												
I												
a												
Horizontal low speed shaft	水平低速轴											
Parallel shafts	平行轴											
Size	规格											
Single stage	单级											

Factor **a** for ambient temperature without fan cooling  
 修正系数 **a** 用于自然环境无风扇冷却

**a = 1 for T = 20 °C**

		T = 30°C					T = 40°C					T = 50°C				
i <sub>N</sub>	n <sub>1</sub> (min <sup>-1</sup> )	Size 规格														
		C	D	E	F	G	C	D	E	F	G	C	D	E	F	G
1,2	1800															
	1500	0,80														
	1200	0,83	0,81	0,78			0,65					0,46				
	1000	0,85	0,83	0,82			0,69	0,65	0,62			0,52				
	900	0,86	0,84	0,83	0,80		0,71	0,68	0,65			0,54	0,50			
	750	0,86	0,86	0,85	0,83	0,81	0,72	0,70	0,69	0,65		0,57	0,54	0,51		
1,25	1800															
	1500	0,80					0,59									
	1200	0,83	0,81	0,79			0,66	0,61				0,47				
	1000	0,85	0,84	0,82			0,70	0,66	0,63			0,53	0,48			
	900	0,86	0,84	0,83	0,80		0,71	0,68	0,66			0,55	0,50			
	750	0,86	0,86	0,85	0,84	0,82	0,72	0,71	0,69	0,66		0,57	0,54	0,52		
1,4	1800	0,77														
	1500	0,81	0,77				0,62									
	1200	0,84	0,82	0,80			0,67	0,63				0,50				
	1000	0,86	0,84	0,83	0,79		0,70	0,67	0,65			0,54	0,49			
	900	0,86	0,85	0,84	0,81	0,79	0,71	0,69	0,67			0,56	0,52	0,49		
	750	0,87	0,86	0,85	0,84	0,83	0,73	0,71	0,70	0,68	0,64	0,58	0,55	0,53		
1,6	1800	0,79														
	1500	0,82	0,79				0,64									
	1200	0,85	0,82	0,81			0,68	0,64	0,60			0,51				
	1000	0,86	0,84	0,83	0,80		0,71	0,68	0,66			0,55	0,51	0,47		
	900	0,86	0,85	0,84	0,82	0,80	0,72	0,69	0,68	0,63		0,56	0,53	0,50		
	750	0,87	0,86	0,86	0,85	0,83	0,73	0,72	0,70	0,68	0,65	0,58	0,56	0,54	0,50	
1,8	1800	0,80														
	1500	0,83	0,80				0,65									
	1200	0,85	0,83	0,82			0,70	0,66	0,62			0,53				
	1000	0,86	0,85	0,84	0,82		0,71	0,69	0,67			0,56	0,52	0,49		
	900	0,87	0,86	0,85	0,84	0,82	0,72	0,70	0,69	0,66		0,57	0,54	0,52		
	750	0,87	0,86	0,86	0,85	0,84	0,73	0,72	0,71	0,69	0,67	0,59	0,57	0,55	0,52	
2	1800	0,81	0,76				0,61									
	1500	0,83	0,81				0,66					0,48				
	1200	0,86	0,84	0,82			0,70	0,66	0,63			0,54	0,48			
	1000	0,87	0,85	0,84	0,83		0,72	0,70	0,68	0,64		0,57	0,53	0,50		
	900	0,87	0,86	0,85	0,84	0,82	0,73	0,71	0,69	0,67		0,58	0,55	0,52		
	750	0,87	0,86	0,86	0,85	0,85	0,74	0,72	0,71	0,70	0,68	0,59	0,57	0,56	0,53	
2,24	1800	0,82					0,63									
	1500	0,84	0,82	0,79			0,67	0,62				0,49				
	1200	0,86	0,84	0,83	0,80		0,71	0,67	0,64			0,55	0,49			
	1000	0,87	0,85	0,85	0,83	0,81	0,72	0,70	0,68	0,65		0,57	0,54	0,51		
	900	0,87	0,86	0,85	0,84	0,83	0,73	0,71	0,70	0,67		0,58	0,55	0,53		
	750	0,87	0,86	0,86	0,86	0,85	0,73	0,72	0,71	0,70	0,69	0,59	0,57	0,56	0,54	
2,5	1800	0,84					0,66									
	1500	0,85	0,83	0,81			0,70	0,65				0,53				
	1200	0,86	0,85	0,84	0,82		0,72	0,69	0,67			0,57	0,52			
	1000	0,87	0,86	0,85	0,84	0,82	0,73	0,72	0,70	0,68		0,58	0,56	0,53		
	900	0,87	0,86	0,86	0,85	0,84	0,73	0,72	0,71	0,69		0,59	0,57	0,55		
	750	0,88	0,87	0,87	0,86	0,85	0,75	0,73	0,72	0,71	0,70	0,61	0,59	0,57	0,55	

i<sub>N</sub> Nominal ratio  
 n<sub>1</sub> Nominal speed (rpm) on high speed shaft  
 T Ambient temperature

i<sub>N</sub> 标称速比  
 n<sub>1</sub> 标称转速 (rpm)  
 T 环境温度

# Hansen P4

Gear unit  
Horizontal low speed shaft  
Parallel shafts  
Size  
Single stage

减速机  
水平低速轴  
平行轴  
规格  
单级

Q  
H  
P  
C > G  
1

**a**

Factor **a** for ambient temperature without fan cooling

修正系数 **a** 用于自然环境无风扇冷却

**a = 1 for T = 20°C**

		T = 30°C					T = 40°C					T = 50°C						
i <sub>N</sub>	n <sub>1</sub> (min <sup>-1</sup> )	Size 规格																
		C	D	E	F	G	C	D	E	F	G	C	D	E	F	G		
2,8	1800	0,84	0,81				0,67											
	1500	0,85	0,83	0,82			0,70	0,66				0,54						
	1200	0,87	0,85	0,84	0,83		0,72	0,70	0,67			0,57	0,53					
	1000	0,87	0,86	0,86	0,85	0,83	0,73	0,71	0,70	0,68		0,59	0,56	0,54				
	900	0,87	0,87	0,86	0,85	0,84	0,73	0,72	0,71	0,70	0,67	0,59	0,57	0,56				
	750	0,88	0,87	0,87	0,86	0,86	0,75	0,73	0,73	0,72	0,70	0,61	0,59	0,58	0,56	0,54		
3,15	1800	0,84	0,82				0,68											
	1500	0,85	0,84	0,82			0,70	0,67				0,54						
	1200	0,87	0,86	0,84	0,83		0,72	0,70	0,68			0,57	0,54					
	1000	0,87	0,86	0,86	0,85	0,83	0,73	0,72	0,71	0,69		0,59	0,57	0,54				
	900	0,87	0,87	0,86	0,86	0,84	0,73	0,73	0,72	0,70	0,68	0,59	0,58	0,56	0,54			
	750	0,88	0,87	0,87	0,86	0,86	0,75	0,72	0,73	0,72	0,70	0,61	0,57	0,58	0,56	0,54		
3,55	1800	0,84					0,68											
	1500	0,86	0,84				0,70											
	1200	0,87	0,86	0,85			0,73	0,71				0,58						
	1000	0,87	0,87	0,86	0,85	0,83	0,74	0,72	0,71			0,59	0,57					
	900	0,88	0,82	0,86	0,85	0,84	0,74	0,65	0,72	0,70		0,60	0,45	0,56				
	750	0,87	0,87	0,86	0,86	0,86	0,75	0,74	0,72	0,72	0,70	0,61	0,59	0,56				
4	1800	0,85					0,68											
	1500	0,85	0,84	0,82			0,71					0,55						
	1200	0,87	0,86	0,85			0,72	0,71	0,69			0,58						
	1000	0,88	0,86	0,86	0,85	0,84	0,74	0,72	0,71			0,60	0,57	0,55				
	900	0,87	0,82	0,86	0,85	0,85	0,74	0,62	0,72	0,70		0,60	0,41	0,56				
	750	0,88	0,88	0,86	0,86	0,86	0,75	0,74	0,72	0,72	0,71	0,61	0,60	0,56				
4,5	1800	0,85	0,82				0,69											
	1500	0,86	0,84	0,83			0,71	0,68				0,55						
	1200	0,87	0,86	0,85	0,84		0,73	0,71	0,69			0,58	0,55					
	1000	0,88	0,87	0,86	0,85	0,84	0,74	0,72	0,71	0,69		0,60	0,57	0,55				
	900	0,88	0,82	0,86	0,86	0,85	0,75	0,63	0,72	0,71	0,68	0,61	0,42	0,56				
	750	0,88	0,87	0,87	0,86	0,86	0,75	0,75	0,72	0,72	0,71	0,61	0,60	0,56	0,57	0,55		
5	1800	0,85	0,83				0,70											
	1500	0,86	0,85	0,83			0,71	0,69				0,56						
	1200	0,87	0,86	0,85			0,73	0,70	0,69			0,58	0,54					
	1000	0,87	0,87	0,86	0,85	0,84	0,74	0,72	0,71			0,60	0,57	0,55				
	900	0,87	0,87	0,86	0,86	0,85	0,74	0,73	0,71	0,70		0,60	0,58	0,55				
	750	0,88	0,88	0,88	0,86	0,86	0,75	0,74	0,74	0,70	0,71	0,61	0,60	0,59	0,54			
5,6	1800	0,85	0,83				0,70											
	1500	0,86	0,85	0,83			0,72	0,69				0,56						
	1200	0,87	0,86	0,85	0,84		0,74	0,71	0,69			0,60	0,54					
	1000	0,88	0,87	0,86	0,85	0,84	0,74	0,73	0,71	0,70		0,60	0,57	0,55				
	900	0,88	0,88	0,87	0,86	0,85	0,74	0,74	0,73	0,71	0,69	0,61	0,59	0,57				
	750	0,88	0,87	0,87	0,87	0,86	0,75	0,74	0,74	0,73	0,71	0,62	0,60	0,59	0,53	0,56		

QHP.1.  
a fact.

i<sub>N</sub> Nominal ratio  
n<sub>1</sub> Nominal speed (rpm)  
on high speed shaft  
T Ambient temperature

i<sub>N</sub> 标称速比  
n<sub>1</sub> 标称转速 (rpm)  
T 环境温度





# Hansen P4

Gear unit	减速机
Horizontal low speed shaft	水平低速轴
Parallel shafts	平行轴
Size	规格
Single stage	单级


Q	C
H	
P	
C ▶ G	
1	

Factor  $\epsilon$  for air circulation (without fan) 修正系数  $\epsilon$  用于自然风无风扇冷却

$c = 1$  for  $v_A \geq 1,4$  m/s

		$v_A \geq 0,5$ m/s					$v_A \geq 3,0$ m/s				
iN	n1 (min <sup>-1</sup> )	Size 规格					C	D	E	F	G
		C	D	E	F	G					
2,8	1800	0,65					1,36	1,43	1,50		
	1500	0,70	0,64				1,33	1,38	1,41		
	1200	0,72	0,69	0,67			1,32	1,34	1,35	1,37	1,43
	1000	0,73	0,72	0,70	0,69		1,31	1,32	1,33	1,34	1,36
	900	0,74	0,73	0,72	0,71	0,67	1,30	1,31	1,32	1,32	1,34
	750	0,75	0,74	0,74	0,73	0,72	1,30	1,30	1,30	1,31	1,32
3,15	1800	0,66					1,35	1,42	1,48		
	1500	0,70	0,65				1,33	1,37	1,40		
	1200	0,73	0,70	0,67			1,31	1,34	1,35	1,36	1,41
	1000	0,74	0,72	0,71	0,69		1,31	1,32	1,33	1,34	1,35
	900	0,73	0,73	0,72	0,71	0,69	1,31	1,31	1,32	1,32	1,33
	750	0,75	0,73	0,74	0,74	0,72	1,29	1,31	1,30	1,31	1,31
3,55	1800	0,67					1,36	1,41			
	1500	0,70					1,33	1,36	1,40		
	1200	0,73	0,71				1,32	1,33	1,34	1,36	1,42
	1000	0,74	0,73	0,71			1,30	1,32	1,33	1,33	1,36
	900	0,75	0,59	0,72	0,72		1,30	1,39	1,32	1,32	1,34
	750	0,75	0,75	0,72	0,74	0,72	1,29	1,30	1,32	1,30	1,31
4	1800	0,67					1,36	1,41			
	1500	0,70					1,32	1,36	1,40		
	1200	0,73	0,71	0,68			1,31	1,33	1,35	1,36	1,41
	1000	0,74	0,72	0,71			1,31	1,31	1,32	1,33	1,36
	900	0,75	0,55	0,72	0,72	0,69	1,30	1,43	1,31	1,32	1,33
	750	0,76	0,75	0,72	0,74	0,73	1,29	1,30	1,32	1,31	1,31
4,5	1800	0,68					1,35	1,40	1,46		
	1500	0,71	0,66				1,33	1,35	1,38		
	1200	0,73	0,71	0,69			1,31	1,33	1,34	1,35	1,40
	1000	0,74	0,72	0,72	0,71		1,31	1,31	1,32	1,33	1,35
	900	0,75	0,56	0,73	0,72	0,70	1,30	1,42	1,31	1,32	1,33
	750	0,75	0,75	0,72	0,74	0,73	1,29	1,30	1,32	1,30	1,31
5	1800	0,69					1,35	1,40			
	1500	0,72	0,67				1,33	1,35	1,38		
	1200	0,73	0,70	0,69			1,30	1,34	1,34	1,35	1,39
	1000	0,75	0,73	0,71			1,29	1,31	1,33	1,32	1,34
	900	0,75	0,74	0,71	0,72	0,70	1,29	1,30	1,35	1,31	1,33
	750	0,77	0,75	0,74	0,72	0,73	1,28	1,29	1,30	1,31	1,31
5,6	1800	0,68					1,34	1,39	1,43		
	1500	0,71	0,67				1,32	1,35	1,38		
	1200	0,74	0,70	0,69			1,31	1,34	1,34	1,35	1,39
	1000	0,75	0,73	0,71	0,71		1,29	1,31	1,33	1,32	1,34
	900	0,75	0,75	0,73	0,72	0,71	1,29	1,30	1,31	1,32	1,33
	750	0,76	0,75	0,74	0,68	0,74	1,29	1,29	1,29	1,29	1,31

QHP.1.  
C fact.

$v_A$  = air flow:  
 $\geq 0,5$  m/s: mounting indoors - small enclosure  
 $\geq 1,4$  m/s: mounting indoors - normal working area  
 $\geq 3,0$  m/s: mounting outdoors - protected against sun

iN Nominal ratio  
n1 Nominal speed (rpm) on high speed shaft

$v_A$  = 风速:  
 $\geq 0,5$  m/s: 室内安装, 狭小空间  
 $\geq 1,4$  m/s: 室内安装, 正常工作空间  
 $\geq 3,0$  m/s: 室外安装, 有防晒措施

iN 标称速比  
n1 标称转速 (rpm)

Gear unit	减速机				<table border="1"> <tr><td>Q</td></tr> <tr><td>H</td></tr> <tr><td>P</td></tr> <tr><td>C ▶ G</td></tr> <tr><td>I</td></tr> </table>	Q	H	P	C ▶ G	I	<table border="1"> <tr><td><b>df</b></td></tr> </table>	<b>df</b>
Q												
H												
P												
C ▶ G												
I												
<b>df</b>												
Horizontal low speed shaft	水平低速轴											
Parallel shafts	平行轴											
Size	规格											
Single stage	单级											

Factor **df** for ambient temperature with fan cooling  
 修正系数 **df** 用于环境温度下风扇冷却

**1 fan** 单风扇

**df = 1 for T = 20 °C**

		T = 30°C					T = 40°C					T = 50°C					
iN	n1 (min <sup>-1</sup> )	Size 规格															
		C	D	E	F	G	C	D	E	F	G	C	D	E	F	G	
1,2	1800	0,83	0,81	0,80			0,65	0,61	0,58			0,47					
	1500	0,84	0,83	0,82	0,78		0,68	0,65	0,63			0,51	0,46	0,43			
	1200	0,86	0,84	0,84	0,82	0,80	0,71	0,68	0,67	0,62		0,55	0,51	0,49			
	1000	0,86	0,85	0,85	0,84	0,82	0,72	0,70	0,69	0,66	0,63	0,57	0,54	0,53	0,47		
	900	0,87	0,86	0,85	0,84	0,83	0,73	0,71	0,70	0,68	0,65	0,58	0,55	0,54	0,50	0,46	
	750	0,87	0,86	0,86	0,85	0,85	0,73	0,72	0,72	0,70	0,68	0,59	0,57	0,56	0,54	0,50	
1,25	1800	0,83	0,81	0,80			0,66	0,62	0,59			0,48	0,41				
	1500	0,85	0,83	0,82	0,79		0,69	0,66	0,64			0,52	0,47	0,44			
	1200	0,86	0,85	0,84	0,82	0,80	0,71	0,69	0,67	0,63	0,59	0,55	0,52	0,50			
	1000	0,86	0,86	0,85	0,84	0,82	0,72	0,70	0,69	0,67	0,64	0,57	0,55	0,53	0,48		
	900	0,87	0,86	0,86	0,85	0,83	0,73	0,71	0,70	0,69	0,66	0,58	0,56	0,55	0,51	0,47	
	750	0,87	0,87	0,86	0,86	0,85	0,73	0,73	0,72	0,70	0,69	0,59	0,57	0,57	0,54	0,51	
1,4	1800	0,84	0,82	0,81	0,76		0,67	0,64	0,62			0,50	0,44	0,41			
	1500	0,85	0,84	0,83	0,80	0,77	0,70	0,67	0,65	0,59		0,53	0,49	0,46			
	1200	0,86	0,85	0,84	0,83	0,81	0,72	0,69	0,68	0,65	0,61	0,56	0,53	0,51	0,45		
	1000	0,87	0,86	0,85	0,84	0,83	0,73	0,71	0,70	0,68	0,65	0,58	0,55	0,54	0,50	0,46	
	900	0,87	0,86	0,86	0,85	0,84	0,73	0,72	0,71	0,69	0,67	0,59	0,56	0,55	0,53	0,49	
	750	0,87	0,87	0,86	0,86	0,85	0,74	0,73	0,72	0,71	0,70	0,60	0,58	0,57	0,55	0,53	
1,6	1800	0,85	0,83	0,82	0,77		0,68	0,65	0,63			0,51	0,46	0,43			
	1500	0,86	0,84	0,83	0,81	0,78	0,70	0,68	0,66	0,61		0,54	0,50	0,48			
	1200	0,86	0,85	0,85	0,84	0,82	0,72	0,70	0,69	0,66	0,63	0,57	0,54	0,52	0,47		
	1000	0,87	0,86	0,86	0,85	0,84	0,73	0,71	0,71	0,69	0,66	0,58	0,56	0,55	0,52	0,48	
	900	0,87	0,86	0,86	0,85	0,85	0,73	0,72	0,71	0,70	0,68	0,59	0,57	0,56	0,54	0,50	
	750	0,87	0,87	0,87	0,86	0,86	0,74	0,73	0,72	0,71	0,70	0,60	0,58	0,58	0,56	0,54	
1,8	1800	0,85	0,84	0,83	0,79	0,76	0,70	0,66	0,64	0,57		0,53	0,48	0,45			
	1500	0,86	0,85	0,84	0,82	0,80	0,71	0,68	0,67	0,63		0,56	0,51	0,49			
	1200	0,87	0,86	0,85	0,84	0,83	0,72	0,71	0,70	0,68	0,64	0,58	0,55	0,53	0,49		
	1000	0,87	0,86	0,86	0,85	0,84	0,73	0,72	0,71	0,70	0,68	0,59	0,57	0,56	0,53	0,50	
	900	0,87	0,87	0,86	0,86	0,85	0,74	0,72	0,72	0,71	0,69	0,59	0,58	0,57	0,55	0,52	
	750	0,87	0,87	0,87	0,86	0,86	0,74	0,73	0,73	0,72	0,71	0,60	0,59	0,58	0,56	0,55	
2	1800	0,85	0,84	0,83	0,81	0,77	0,70	0,67	0,65	0,59		0,54	0,49	0,46			
	1500	0,86	0,85	0,84	0,83	0,81	0,72	0,69	0,68	0,64	0,60	0,56	0,52	0,50			
	1200	0,87	0,86	0,85	0,84	0,83	0,73	0,71	0,70	0,68	0,65	0,58	0,55	0,54	0,51		
	1000	0,87	0,86	0,86	0,85	0,85	0,73	0,72	0,71	0,70	0,68	0,59	0,57	0,56	0,54	0,51	
	900	0,87	0,87	0,86	0,86	0,85	0,74	0,73	0,72	0,71	0,70	0,60	0,58	0,57	0,55	0,53	
	750	0,87	0,87	0,87	0,86	0,86	0,74	0,73	0,73	0,72	0,71	0,60	0,59	0,59	0,57	0,56	
2,24	1800	0,86	0,84	0,83	0,81	0,78	0,71	0,67	0,66	0,61		0,55	0,50	0,47			
	1500	0,86	0,85	0,84	0,83	0,81	0,72	0,69	0,68	0,66	0,62	0,57	0,53	0,51	0,46		
	1200	0,87	0,86	0,86	0,85	0,84	0,73	0,71	0,70	0,69	0,66	0,58	0,56	0,55	0,52	0,48	
	1000	0,87	0,86	0,86	0,85	0,85	0,74	0,72	0,72	0,70	0,69	0,59	0,58	0,57	0,54	0,52	
	900	0,87	0,87	0,86	0,86	0,85	0,74	0,73	0,72	0,71	0,70	0,60	0,58	0,57	0,56	0,54	
	750	0,88	0,87	0,87	0,86	0,86	0,74	0,74	0,73	0,72	0,72	0,60	0,59	0,59	0,57	0,56	
2,5	1800	0,86	0,85	0,84	0,83	0,80	0,72	0,69	0,68	0,64	0,59	0,57	0,53	0,50			
	1500	0,87	0,86	0,85	0,84	0,82	0,73	0,71	0,70	0,68	0,64	0,58	0,55	0,53	0,50		
	1200	0,87	0,86	0,86	0,85	0,84	0,73	0,72	0,71	0,70	0,68	0,59	0,57	0,56	0,54	0,50	
	1000	0,88	0,87	0,87	0,86	0,85	0,74	0,73	0,72	0,71	0,70	0,60	0,59	0,58	0,56	0,54	
	900	0,88	0,87	0,87	0,86	0,86	0,75	0,74	0,73	0,72	0,71	0,61	0,59	0,58	0,57	0,55	
	750	0,88	0,87	0,87	0,87	0,86	0,75	0,74	0,74	0,73	0,72	0,61	0,60	0,60	0,58	0,57	

iN Nominal ratio  
 n1 Nominal speed (rpm) on high speed shaft  
 T Ambient temperature

iN 标称速比  
 n1 标称转速 (rpm)  
 T 环境温度

# Hansen P4

Gear unit	减速机				<b>Q</b> <b>H</b> <b>P</b> <b>C ▶ G</b> <b>1</b>	<b>d<sub>f</sub></b>
Horizontal low speed shaft	水平低速轴					
Parallel shafts	平行轴					
Size	规格					
Single stage	单级					

Factor **d<sub>f</sub>** for ambient temperature with fan cooling      修正系数 **d<sub>f</sub>** 用于环境温度下风扇冷却

**1 fan**      单风扇

## d<sub>f</sub> = 1 for T = 20 °C

		T = 30°C					T = 40°C					T = 50°C				
i <sub>N</sub>	n <sub>1</sub> (min <sup>-1</sup> )	Size 规格														
		C	D	E	F	G	C	D	E	F	G	C	D	E	F	G
2,8	1800	0,86	0,85	0,84	0,83	0,81	0,72	0,70	0,68	0,66	0,60	0,57	0,53	0,51		
	1500	0,87	0,86	0,85	0,84	0,83	0,73	0,71	0,70	0,68	0,65	0,58	0,56	0,54	0,51	
	1200	0,87	0,87	0,86	0,85	0,85	0,74	0,73	0,72	0,70	0,69	0,60	0,58	0,56	0,54	0,51
	1000	0,87	0,87	0,87	0,86	0,86	0,74	0,73	0,73	0,72	0,70	0,60	0,59	0,58	0,56	0,54
	900	0,88	0,87	0,87	0,87	0,86	0,75	0,74	0,73	0,72	0,71	0,61	0,60	0,59	0,57	0,56
	750	0,88	0,87	0,87	0,87	0,86	0,75	0,74	0,74	0,73	0,72	0,62	0,60	0,60	0,59	0,57
3,15	1800	0,87	0,85	0,85	0,83	0,81	0,72	0,70	0,69	0,66	0,61	0,57	0,54	0,52	0,48	
	1500	0,87	0,86	0,86	0,85	0,83	0,73	0,71	0,70	0,69	0,66	0,59	0,56	0,55	0,52	
	1200	0,87	0,87	0,86	0,86	0,85	0,74	0,73	0,72	0,71	0,69	0,60	0,58	0,57	0,55	0,52
	1000	0,88	0,87	0,87	0,86	0,86	0,74	0,73	0,73	0,72	0,71	0,60	0,59	0,58	0,57	0,55
	900	0,88	0,87	0,87	0,87	0,86	0,74	0,74	0,73	0,73	0,71	0,60	0,60	0,59	0,58	0,56
	750	0,88	0,87	0,87	0,87	0,87	0,75	0,74	0,74	0,73	0,72	0,62	0,60	0,60	0,59	0,58
3,55	1800	0,87	0,86	0,85	0,84	0,81	0,72	0,70	0,69	0,66	0,61	0,58	0,54	0,52		
	1500	0,87	0,86	0,86	0,85	0,83	0,73	0,72	0,71	0,69	0,65	0,59	0,56	0,55	0,52	
	1200	0,87	0,87	0,87	0,86	0,85	0,74	0,73	0,72	0,71	0,69	0,60	0,58	0,57	0,55	0,52
	1000	0,88	0,87	0,87	0,86	0,86	0,75	0,74	0,73	0,72	0,71	0,61	0,60	0,58	0,57	0,55
	900	0,88	0,86	0,87	0,87	0,86	0,75	0,70	0,73	0,73	0,71	0,61	0,54	0,59	0,58	0,56
	750	0,88	0,87	0,87	0,87	0,87	0,76	0,74	0,73	0,73	0,73	0,62	0,61	0,59	0,59	0,58
4	1800	0,87	0,86	0,85	0,84	0,81	0,72	0,70	0,69	0,67	0,62	0,58	0,55	0,53		
	1500	0,87	0,86	0,86	0,85	0,83	0,73	0,72	0,71	0,69	0,66	0,59	0,57	0,55	0,53	
	1200	0,87	0,87	0,86	0,86	0,85	0,74	0,73	0,72	0,71	0,69	0,60	0,59	0,57	0,56	0,52
	1000	0,88	0,87	0,87	0,87	0,86	0,75	0,74	0,73	0,72	0,71	0,61	0,59	0,59	0,57	0,55
	900	0,88	0,85	0,87	0,87	0,86	0,75	0,69	0,74	0,73	0,72	0,61	0,52	0,59	0,58	0,56
	750	0,88	0,87	0,87	0,87	0,87	0,75	0,75	0,73	0,73	0,73	0,62	0,61	0,59	0,59	0,58
4,5	1800	0,87	0,86	0,85	0,84	0,82	0,73	0,71	0,70	0,67	0,63	0,58	0,55	0,53		
	1500	0,87	0,86	0,86	0,85	0,84	0,74	0,72	0,71	0,70	0,66	0,59	0,57	0,56	0,53	
	1200	0,87	0,87	0,86	0,86	0,85	0,74	0,73	0,73	0,71	0,69	0,60	0,59	0,58	0,56	0,53
	1000	0,88	0,87	0,87	0,87	0,86	0,75	0,74	0,73	0,72	0,71	0,61	0,60	0,59	0,57	0,55
	900	0,88	0,85	0,87	0,87	0,86	0,75	0,69	0,74	0,73	0,72	0,62	0,53	0,59	0,58	0,56
	750	0,88	0,87	0,87	0,87	0,87	0,75	0,75	0,73	0,74	0,73	0,61	0,61	0,59	0,59	0,58
5	1800	0,87	0,86	0,85	0,84	0,82	0,73	0,71	0,70	0,68	0,63	0,58	0,56	0,54		
	1500	0,87	0,86	0,86	0,85	0,84	0,74	0,72	0,71	0,70	0,67	0,59	0,57	0,56	0,54	
	1200	0,88	0,87	0,87	0,86	0,85	0,74	0,73	0,73	0,71	0,70	0,61	0,59	0,58	0,56	0,53
	1000	0,88	0,87	0,87	0,86	0,86	0,75	0,74	0,73	0,72	0,71	0,61	0,60	0,59	0,58	0,56
	900	0,88	0,87	0,87	0,87	0,86	0,75	0,74	0,74	0,73	0,72	0,61	0,60	0,60	0,58	0,57
	750	0,88	0,88	0,88	0,87	0,87	0,75	0,75	0,75	0,74	0,73	0,62	0,61	0,61	0,60	0,58
5,6	1800	0,87	0,86	0,85	0,84	0,83	0,73	0,71	0,70	0,68	0,64	0,59	0,56	0,54		
	1500	0,87	0,86	0,86	0,85	0,84	0,74	0,72	0,72	0,70	0,67	0,60	0,57	0,56	0,54	
	1200	0,87	0,87	0,87	0,86	0,85	0,74	0,73	0,73	0,72	0,70	0,61	0,59	0,58	0,56	0,54
	1000	0,88	0,88	0,87	0,87	0,86	0,75	0,74	0,73	0,73	0,71	0,61	0,60	0,59	0,58	0,56
	900	0,88	0,88	0,87	0,87	0,86	0,75	0,74	0,74	0,73	0,72	0,61	0,61	0,60	0,58	0,57
	750	0,88	0,88	0,88	0,87	0,87	0,75	0,75	0,75	0,74	0,73	0,62	0,61	0,61	0,60	0,59

QHP.1.  
d<sub>f</sub>  
fact.

i<sub>N</sub> Nominal ratio  
n<sub>1</sub> Nominal speed (rpm) on high speed shaft  
T Ambient temperature

i<sub>N</sub> 标称速比  
n<sub>1</sub> 标称转速 (rpm)  
T 环境温度

Gear unit	减速机				<table border="1"> <tr><td>Q</td></tr> <tr><td>H</td></tr> <tr><td>P</td></tr> <tr><td>C ▶ G</td></tr> <tr><td>I</td></tr> </table>	Q	H	P	C ▶ G	I
Q										
H										
P										
C ▶ G										
I										
Horizontal low speed shaft	水平低速轴									
Parallel shafts	平行轴									
Size	规格									
Single stage	单级									

Factor **d<sub>ff</sub>** for ambient temperature with fan cooling  
 修正系数 **d<sub>ff</sub>** 用于环境温度下风扇冷却

**2 fans** 双风扇

**d<sub>ff</sub> = 1 for T = 20°C**

		T = 30°C					T = 40°C					T = 50°C				
i <sub>N</sub>	n <sub>1</sub> (min <sup>-1</sup> )	Size 规格														
		C	D	E	F	G	C	D	E	F	G	C	D	E	F	G
1,2	1800	0,85	0,83	0,83	0,79	0,75	0,69	0,66	0,65	0,57		0,52	0,47	0,46		
	1500	0,86	0,84	0,84	0,82	0,79	0,71	0,68	0,67	0,63	0,58	0,55	0,51	0,50	0,42	
	1200	0,86	0,85	0,85	0,84	0,82	0,72	0,70	0,69	0,67	0,64	0,57	0,54	0,53	0,49	0,44
	1000	0,87	0,86	0,86	0,85	0,84	0,73	0,71	0,71	0,69	0,67	0,58	0,56	0,55	0,52	0,49
	900	0,87	0,86	0,86	0,85	0,85	0,73	0,72	0,71	0,70	0,68	0,59	0,57	0,56	0,54	0,51
	750	0,87	0,87	0,87	0,86	0,86	0,74	0,73	0,72	0,71	0,70	0,60	0,58	0,58	0,56	0,54
1,25	1800	0,85	0,84	0,83	0,79	0,76	0,69	0,66	0,65	0,58		0,53	0,48	0,47		
	1500	0,86	0,85	0,84	0,83	0,80	0,71	0,68	0,68	0,64	0,59	0,55	0,51	0,50	0,44	
	1200	0,86	0,85	0,85	0,84	0,83	0,72	0,70	0,70	0,68	0,64	0,57	0,54	0,53	0,49	0,45
	1000	0,87	0,86	0,86	0,85	0,84	0,73	0,72	0,71	0,69	0,67	0,58	0,56	0,56	0,53	0,49
	900	0,87	0,86	0,86	0,85	0,85	0,73	0,72	0,72	0,70	0,69	0,59	0,57	0,57	0,54	0,51
	750	0,87	0,87	0,87	0,86	0,86	0,74	0,73	0,73	0,71	0,71	0,60	0,58	0,58	0,56	0,54
1,4	1800	0,85	0,84	0,83	0,80	0,77	0,70	0,67	0,66	0,60		0,54	0,49	0,48		
	1500	0,86	0,85	0,84	0,83	0,81	0,71	0,69	0,68	0,65	0,61	0,56	0,52	0,51	0,46	
	1200	0,87	0,86	0,85	0,84	0,83	0,72	0,71	0,70	0,68	0,66	0,58	0,55	0,54	0,51	0,47
	1000	0,87	0,86	0,86	0,85	0,85	0,73	0,72	0,71	0,70	0,68	0,59	0,57	0,56	0,54	0,51
	900	0,87	0,87	0,86	0,86	0,85	0,73	0,72	0,72	0,71	0,69	0,59	0,58	0,57	0,55	0,53
	750	0,87	0,87	0,87	0,86	0,86	0,74	0,73	0,73	0,72	0,71	0,60	0,59	0,58	0,57	0,55
1,6	1800	0,85	0,84	0,84	0,81	0,78	0,70	0,68	0,67	0,61	0,55	0,54	0,50	0,49	0,40	
	1500	0,86	0,85	0,85	0,83	0,81	0,72	0,69	0,69	0,66	0,62	0,56	0,53	0,52	0,47	
	1200	0,87	0,86	0,86	0,85	0,84	0,73	0,71	0,70	0,69	0,66	0,58	0,55	0,55	0,52	0,48
	1000	0,87	0,86	0,86	0,85	0,85	0,73	0,72	0,72	0,70	0,69	0,59	0,57	0,56	0,54	0,52
	900	0,87	0,87	0,86	0,86	0,85	0,74	0,73	0,72	0,71	0,70	0,60	0,58	0,57	0,55	0,53
	750	0,87	0,87	0,87	0,86	0,86	0,74	0,73	0,73	0,72	0,71	0,60	0,59	0,59	0,57	0,56
1,8	1800	0,86	0,84	0,84	0,82	0,80	0,71	0,68	0,67	0,64	0,59	0,55	0,51	0,50	0,43	
	1500	0,86	0,85	0,85	0,84	0,82	0,72	0,70	0,69	0,67	0,64	0,57	0,54	0,53	0,48	
	1200	0,87	0,86	0,86	0,85	0,84	0,73	0,71	0,71	0,69	0,67	0,59	0,56	0,55	0,53	0,49
	1000	0,87	0,87	0,86	0,86	0,85	0,74	0,73	0,72	0,71	0,70	0,59	0,58	0,57	0,55	0,53
	900	0,87	0,87	0,87	0,86	0,86	0,74	0,73	0,73	0,71	0,71	0,60	0,58	0,58	0,56	0,55
	750	0,87	0,87	0,87	0,87	0,86	0,74	0,74	0,73	0,72	0,72	0,60	0,59	0,59	0,58	0,57
2	1800	0,86	0,85	0,84	0,83	0,80	0,71	0,69	0,68	0,65	0,60	0,56	0,52	0,50	0,45	
	1500	0,87	0,85	0,85	0,84	0,83	0,72	0,70	0,70	0,67	0,65	0,57	0,54	0,53	0,49	0,45
	1200	0,87	0,86	0,86	0,85	0,84	0,73	0,72	0,71	0,70	0,68	0,59	0,56	0,56	0,53	0,50
	1000	0,87	0,87	0,86	0,86	0,85	0,74	0,73	0,72	0,71	0,70	0,60	0,58	0,57	0,55	0,54
	900	0,87	0,87	0,87	0,86	0,86	0,74	0,73	0,73	0,72	0,71	0,60	0,59	0,58	0,56	0,55
	750	0,88	0,87	0,87	0,87	0,86	0,75	0,74	0,73	0,72	0,72	0,61	0,60	0,59	0,58	0,57
2,24	1800	0,86	0,85	0,84	0,83	0,81	0,72	0,69	0,68	0,65	0,61	0,56	0,52	0,51	0,46	
	1500	0,87	0,86	0,85	0,84	0,83	0,73	0,70	0,70	0,68	0,65	0,58	0,55	0,54	0,50	0,46
	1200	0,87	0,86	0,86	0,85	0,85	0,73	0,72	0,71	0,70	0,69	0,59	0,57	0,56	0,54	0,51
	1000	0,87	0,87	0,87	0,86	0,85	0,74	0,73	0,72	0,71	0,70	0,60	0,58	0,58	0,56	0,54
	900	0,87	0,87	0,87	0,86	0,86	0,74	0,73	0,73	0,72	0,71	0,60	0,59	0,58	0,57	0,55
	750	0,88	0,87	0,87	0,87	0,86	0,75	0,74	0,74	0,73	0,72	0,61	0,60	0,59	0,58	0,57
2,5	1800	0,87	0,85	0,85	0,84	0,82	0,73	0,70	0,69	0,67	0,63	0,58	0,54	0,53	0,49	
	1500	0,87	0,86	0,86	0,85	0,84	0,73	0,71	0,71	0,69	0,66	0,59	0,56	0,55	0,53	0,48
	1200	0,87	0,87	0,86	0,86	0,85	0,74	0,73	0,72	0,71	0,69	0,60	0,58	0,57	0,55	0,53
	1000	0,88	0,87	0,87	0,86	0,86	0,74	0,73	0,73	0,72	0,71	0,61	0,59	0,59	0,57	0,55
	900	0,88	0,87	0,87	0,87	0,86	0,75	0,74	0,73	0,73	0,72	0,61	0,60	0,59	0,58	0,56
	750	0,88	0,87	0,87	0,87	0,87	0,75	0,74	0,74	0,73	0,72	0,62	0,60	0,60	0,59	0,58

i<sub>N</sub> Nominal ratio  
 n<sub>1</sub> Nominal speed (rpm) on high speed shaft  
 T Ambient temperature

i<sub>N</sub> 标称速比  
 n<sub>1</sub> 标称转速 (rpm)  
 T 环境温度

## Hansen P4

Gear unit	减速机				Q	<b>d<sub>ff</sub></b>
Horizontal low speed shaft	水平低速轴				H	
Parallel shafts	平行轴				P	
Size	规格				C ▶ G	
Single stage	单级				1	

Factor **d<sub>ff</sub>** for ambient temperature with fan cooling 修正系数 **d<sub>ff</sub>** 用于环境温度下风扇冷却

**2 fans** 双风扇

**d<sub>ff</sub> = 1 for T = 20 °C**

		T = 30°C					T = 40°C					T = 50°C				
i <sub>N</sub>	n <sub>1</sub> (min <sup>-1</sup> )	Size 规格														
		C	D	E	F	G	C	D	E	F	G	C	D	E	F	G
<b>2,8</b>	<b>1800</b>	0,87	0,86	0,85	0,84	0,83	0,73	0,71	0,70	0,68	0,64	0,58	0,55	0,53	0,50	
	<b>1500</b>	0,87	0,86	0,86	0,85	0,84	0,73	0,72	0,71	0,69	0,67	0,59	0,56	0,55	0,53	0,49
	<b>1200</b>	0,87	0,87	0,87	0,86	0,85	0,74	0,73	0,72	0,71	0,70	0,60	0,58	0,57	0,56	0,53
	<b>1000</b>	0,88	0,87	0,87	0,86	0,86	0,74	0,74	0,73	0,72	0,71	0,61	0,59	0,59	0,57	0,55
	<b>900</b>	0,88	0,87	0,87	0,87	0,86	0,75	0,74	0,73	0,73	0,72	0,61	0,60	0,59	0,58	0,56
	<b>750</b>	0,88	0,88	0,87	0,87	0,87	0,75	0,74	0,74	0,73	0,73	0,62	0,61	0,60	0,59	0,58
<b>3,15</b>	<b>1800</b>	0,87	0,86	0,85	0,84	0,83	0,73	0,71	0,70	0,68	0,64	0,58	0,55	0,54	0,51	
	<b>1500</b>	0,87	0,86	0,86	0,85	0,84	0,74	0,72	0,71	0,70	0,68	0,59	0,57	0,56	0,53	0,50
	<b>1200</b>	0,88	0,87	0,87	0,86	0,85	0,74	0,73	0,72	0,71	0,70	0,60	0,58	0,58	0,56	0,54
	<b>1000</b>	0,87	0,87	0,87	0,86	0,86	0,74	0,73	0,73	0,72	0,71	0,61	0,59	0,59	0,57	0,56
	<b>900</b>	0,88	0,87	0,87	0,87	0,86	0,75	0,74	0,74	0,73	0,72	0,61	0,60	0,60	0,58	0,57
	<b>750</b>	0,88	0,87	0,87	0,87	0,87	0,75	0,74	0,74	0,73	0,73	0,62	0,60	0,60	0,59	0,58

GHP.1.  
**d<sub>ff</sub>**  
fact.

**i<sub>N</sub>** Nominal ratio  
**n<sub>1</sub>** Nominal speed (rpm)  
on high speed shaft  
**T** Ambient temperature

**i<sub>N</sub>** 标称速比  
**n<sub>1</sub>** 标称转速 (rpm)  
**T** 环境温度

# Hansen P4

97QU-HP1N00113 C

p. - S. 1/2  
mm

Gear unit	减速机
Horizontal low speed shaft	水平低速轴
Parallel shafts	平行轴
Size	规格
Single stage	单级

Q  
H  
P  
C ▶ G  
I

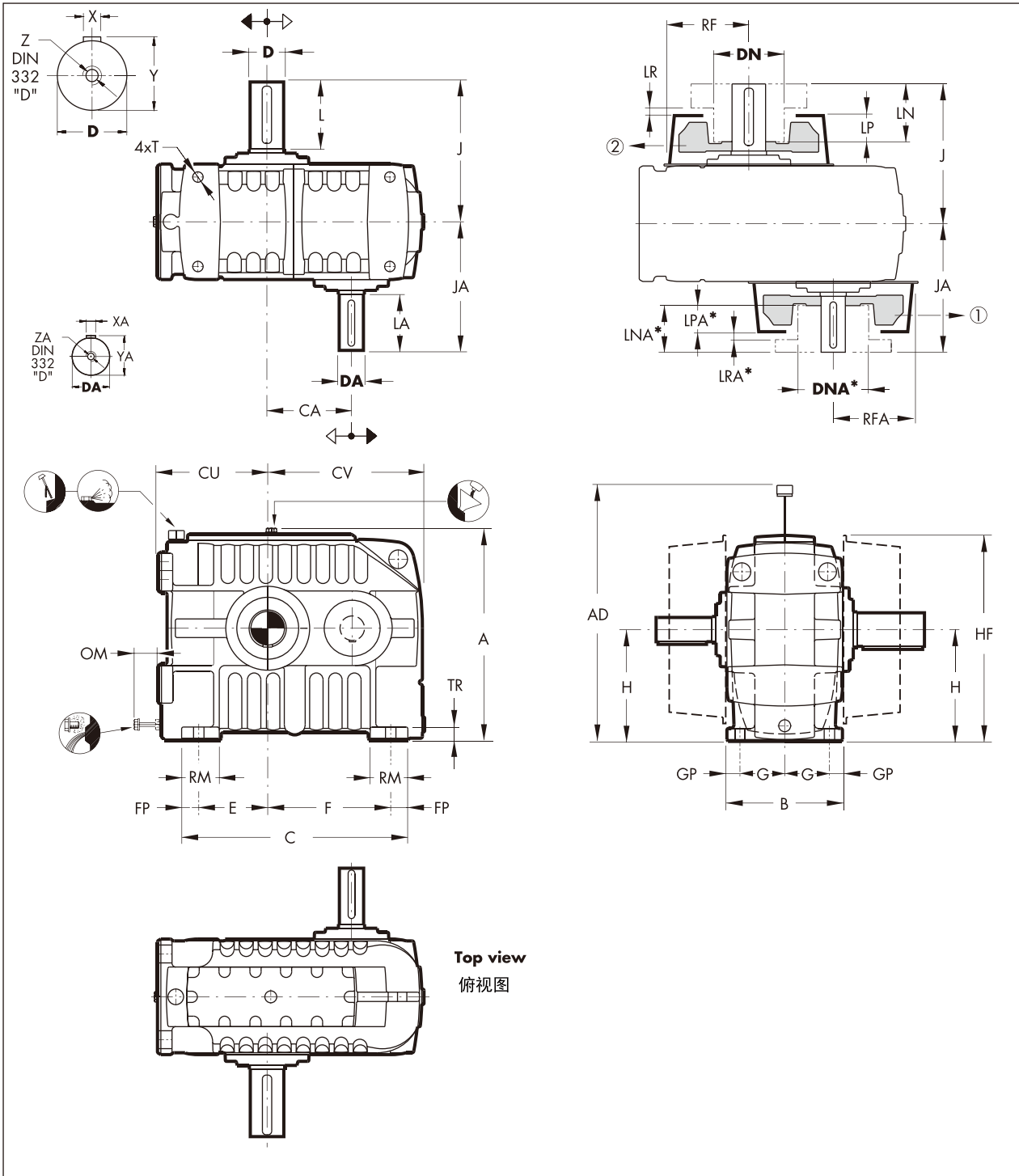
High and low speed shaft in the same horizontal plane 高低速轴在同一水平面

The user is responsible for the provision of **safety guards** and correct installation of all equipment.

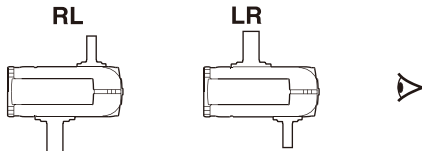
Certified dimensions upon request.

用户应正确安装所有设备并提供安全保护装置

可按要求提供详细尺寸



Top view 俯视图



Shaft arrangements 轴布置

\* If the available space is insufficient to mount the coupling, refer to us. An extended shaft end can be offered.

\* 如果联轴器的安装空间不够，可加长轴伸。请咨询汉森。

# Hansen P4

97QU-HP1N00113 C

p. - S. 2/2  
mm

Gear unit	减速机
Horizontal low speed shaft	水平低速轴
Parallel shafts	平行轴
Size	规格
Single stage	单级

减速机
水平低速轴
平行轴
规格
单级

Q
H
P
C ▶ G
1

High and low speed shaft in the same horizontal plane 高低速轴在同一水平面

The user is responsible for the provision of safety guards and correct installation of all equipment.

Certified dimensions upon request.

用户应正确安装所有设备并提供安全保护装置

可按要求提供详细尺寸

iN	CA					Oil (litres) - 注油量 (升)				
	QHPC1	QHPD1	QHPE1	QHPF1	QHGP1	QHPC1	QHPD1	QHPE1	QHPF1	QHGP1
1,2	181	211	242	302	362	15,5	20	33,5	52	83
1,25	175	204	233	291	349	15,5	20,5	34	52	84,5
1,4	188	219	250	313	375	14,5	18,5	31	47,5	77
1,6	199	232	265	332	398	13	17,5	28,5	43	69
1,8	173	202	230	288	346	14,5	18,5	31	47,5	77
2	184	215	245	307	368	13	17,5	28,5	43	69
2,24	200	234	267	334	401	11,5	15	25,5	37,5	59,5
2,5	171	200	228	286	343	13	17,5	28,5	43	69
2,8	188	219	250	313	375	11,5	15	25,5	37,5	59,5
3,15	183	213	244	305	365	11,5	15	25,5	37,5	59,5
3,55	166	190	237	285	332	12,5	17	26	41	65,5
4	179	205	256	307	359	11,5	15	23	35,5	58
4,5	198	227	283	340	396	9,5	12,5	18,5	29,5	45
5	172	196	245	295	344	11,5	15	23	35,5	58
5,6	191	218	273	327	382	9,7	12,5	18,5	28,5	45

	CA				
	QHPC1	QHPD1	QHPE1	QHPF1	QHGP1
Min.	166	190	228	285	332
Max.	200	234	283	340	401

Type 型号	A	AD	B	C	CU	CV	E	F	FP
QHPC1	525	910	280	560	245	375	160	310	45
QHPD1	580	1010	310	615	295	415	185	330	50
QHPE1	695	1220	350	690	315	500	190	400	50
QHPF1	820	1440	400	770	395	575	230	440	50
QHGP1	950	1685	460	885	455	690	250	515	60

Type 型号	G	GP	H	J	OM	RM	T	TR	kg (1)
QHPC1	110	30	270	360	40	95	24	30	250
QHPD1	120	35	300	375	40	111	28	35	340
QHPE1	140	35	350	450	40	111	28	35	530
QHPF1	160	40	420	515	135	122	35	40	830
QHGP1	185	45	480	615	135	133	35	45	1300

Type 型号	Shafts 轴 键 标准 ISO/R773-1969																
	Keys					1,2 ≤ iN ≤ 2,24						2,50 ≤ iN ≤ 5,60					
	D-m6	L	X	Y	Z	DA-m6	LA	XA	YA	ZA	JA	DA	LA	XA	YA	ZA	JA
QHPC1	80	180	22	85	M20	60	150	18	64	M20	330	50k6	120	14	53,5	M16	300
QHPD1	90	180	25	95	M24	80	180	22	85	M20	375	65m6	150	18	69	M20	345
QHPE1	105	220	28	111	M24	95	180	25	100	M24	400	80m6	180	22	85	M20	400
QHPF1	135	260	36	143	M30	115	220	32	122	M24	475	95m6	180	25	100	M24	435
QHGP1	155	310	40	164	M30	135	260	36	143	M30	565	115m6	220	32	122	M24	525

(1) approximate values  
(1) 参考值

QHP.1



Type 型号	Fan 风扇											
	DNA	①					②					HF
		LNA	LPA	LRA	RFA	DN	LN	LP	LR	RF		
1,2 ≤ iN ≤ 2,24	2,50 ≤ iN ≤ 5,60											
QHPC1	210	125	95	70	30	230	210	155	70	30	230	530
QHPD1	210	155	125	70	30	230	210	155	70	30	230	560
QHPE1	280	155	155	105	40	295	280	195	105	40	295	680
QHPF1	280	195	155	95	40	295	280	235	105	40	295	750
QHGP1	280	235	195	95	40	295	280	285	105	40	295	810



# Hansen P4

97QU-HP1N00023 C

p. - S. 1/2  
mm

Gear unit	减速机
Horizontal low speed shaft	水平低速轴
Parallel shafts	平行轴
Size	规格
Single stage	单级


Q
H
P
C
G
I

High speed shaft above low speed shaft

高速轴位于低速轴的上方

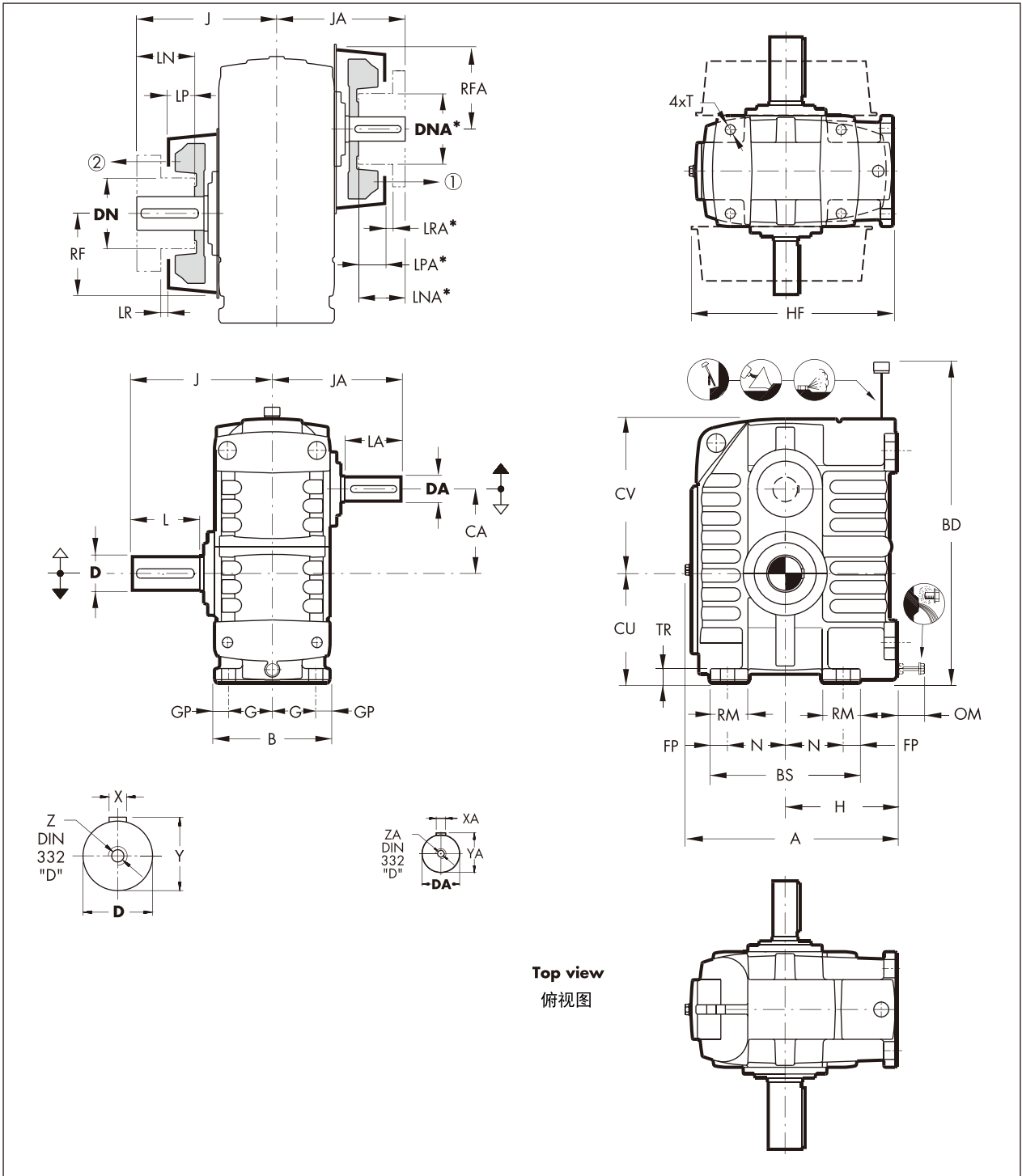
W

The user is responsible for the provision of **safety guards** and correct installation of all equipment.

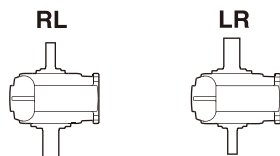
Certified dimensions upon request.

用户应正确安装所有设备并提供安全保护装置

可按要求提供详细尺寸



Top view 俯视图



Shaft arrangements 轴布置

\* If the available space is insufficient to mount the coupling, refer to us. An extended shaft end can be offered.

\* 如果联轴器的安装空间不够，可加长轴伸。请咨询汉森。

# Hansen P4

97QU-HP1N00023 C

p. - S. 2/2  
mm

Gear unit	减速机
Horizontal low speed shaft	水平低速轴
Parallel shafts	平行轴
Size	规格
Single stage	单级

减速机	
水平低速轴	
平行轴	
规格	
单级	

Q
H
P
C ▶ G
I

High speed shaft above low speed shaft 高速轴位于低速轴的上方

W

The user is responsible for the provision of safety guards and correct installation of all equipment.  
Certified dimensions upon request.

用户应正确安装所有设备并提供安全保护装置  
可按要求提供详细尺寸

iN	CA					Oil (litres) - 注油量 (升)				
	QHPC1W	QHPD1W	QHPE1W	QHPF1W	QHPG1W	QHPC1W	QHPD1W	QHPE1W	QHPF1W	QHPG1W
1,2	181	211	242	302	362	10	13,5	22	37	63,5
1,25	175	204	233	291	349	10	13,5	22	38	63,5
1,4	188	219	250	313	375	9	12,5	20	34,5	57
1,6	199	232	265	332	398	8	11	18,5	31	51
1,8	173	202	230	288	346	9	12,5	20	34,5	57
2	184	215	245	307	368	8	11	18,5	31	51
2,24	200	234	267	334	401	7	10	15	26	43
2,5	171	200	228	286	343	8	11	18,5	31	51
2,8	188	219	250	313	375	7	10	15	26	43
3,15	183	213	244	305	365	7	10	15	26	43
3,55	166	190	237	285	332	7,5	11	16,5	28,5	49,5
4	179	205	256	307	359	6,5	10	14	25	42
4,5	198	227	283	340	396	5,5	8	10	19	33
5	172	196	245	295	344	6,5	10	14	25	42
5,6	191	218	273	327	382	5,5	8	10	19	33

	CA				
	QHPC1W	QHPD1W	QHPE1W	QHPF1W	QHPG1W
Min.	166	190	228	285	332
Max.	200	234	283	340	401

Type 型号	A	B	BD	BS	CU	CV	FP	G	GP
QHPC1W	525	280	1215	360	240	375	45	110	30
QHPD1W	580	310	1370	410	290	415	50	120	35
QHPE1W	695	350	1600	460	310	500	50	140	35
QHPF1W	820	400	1870	520	390	575	50	160	40
QHPG1W	950	460	2200	610	450	690	60	185	45

Type 型号	H	J	N	OM	RM	T	TR	kg (1)
QHPC1W	270	360	135	40	95	24	30	250
QHPD1W	300	375	155	40	111	28	35	340
QHPE1W	350	450	180	40	111	28	35	530
QHPF1W	420	515	210	135	122	35	40	830
QHPG1W	480	615	245	135	133	35	45	1300

Type 型号	Shafts 轴 Keys 键 标准 ISO/R773-1969																
						1,2 ≤ iN ≤ 2,24						2,50 ≤ iN ≤ 5,60					
	D-m6	L	X	Y	Z	DA-m6	LA	XA	YA	ZA	JA	DA	LA	XA	YA	ZA	JA
QHPC1W	80	180	22	85	M20	60	150	18	64	M20	330	50k6	120	14	53,5	M16	300
QHPD1W	90	180	25	95	M24	80	180	22	85	M20	375	65m6	150	18	69	M20	345
QHPE1W	105	220	28	111	M24	95	180	25	100	M24	400	80m6	180	22	85	M20	400
QHPF1W	135	260	36	143	M30	115	220	32	122	M24	475	95m6	180	25	100	M24	435
QHPG1W	155	310	40	164	M30	135	260	36	143	M30	565	115m6	220	32	122	M24	525

(1) approximate values  
(1) 参考值



Type 型号	Fan 风扇											
	DNA	①					②					HF
		LNA		LPA	LRA	RFA	DN	LN	LP	LR	RF	
QHPC1W	210	125	95									70
QHPD1W	210	155	125	70	30	230	210	155	70	30	230	560
QHPE1W	280	155	155	105	40	295	280	195	105	40	295	680
QHPF1W	280	195	155	95	40	295	280	235	105	40	295	750
QHPG1W	280	235	195	95	40	295	280	285	105	40	295	810

# Hansen P4

97QU-HP1NC0003 B

mm

Gear unit	减速机					Q
Horizontal low speed shaft	水平低速轴					H
Parallel shafts	平行轴					P
Size	规格					C ▶ G
Single stage	单级					I

Options	
Cooling coil	选项水冷盘管

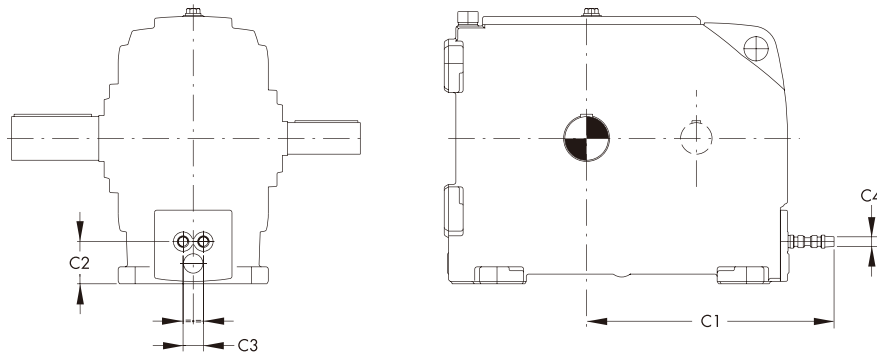
The user is responsible for the provision of **safety guards** and correct installation of all equipment.

Certified dimensions upon request.

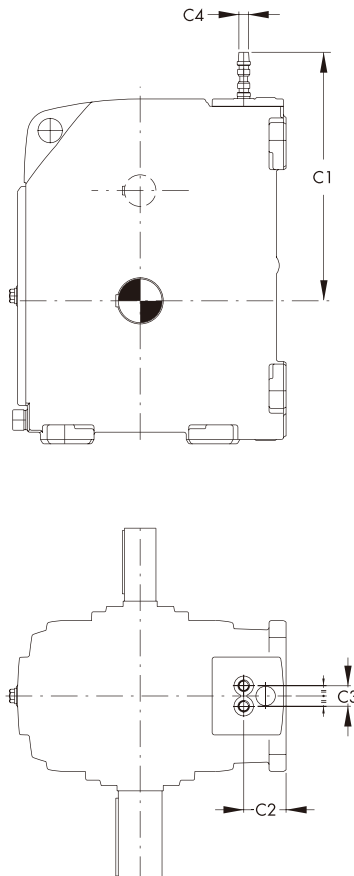
用户应正确安装所有设备并提供安全保护装置

可按要求提供详细尺寸

## High and low speed shaft in the same horizontal plane 高低速轴在同一水平面



## High speed shaft above low speed shaft 高速轴位于低速轴的上方 W



	Size - 规格				
	C	D	E	F	G
<b>C1</b>	475	515	600	675	790
<b>C2</b>	80	87	87	94,5	102
<b>C3</b>	42	42	42	126	126
<b>C4</b>	R 1/2"				

# Hansen P4

97QU-HP1ND0003 B

mm

Gear unit	减速机				Q
Horizontal low speed shaft	水平低速轴				H
Parallel shafts	平行轴				P
Size	规格				C ▶ G
Single stage	单级				1

Options Heater	选项加热器
-------------------	-------

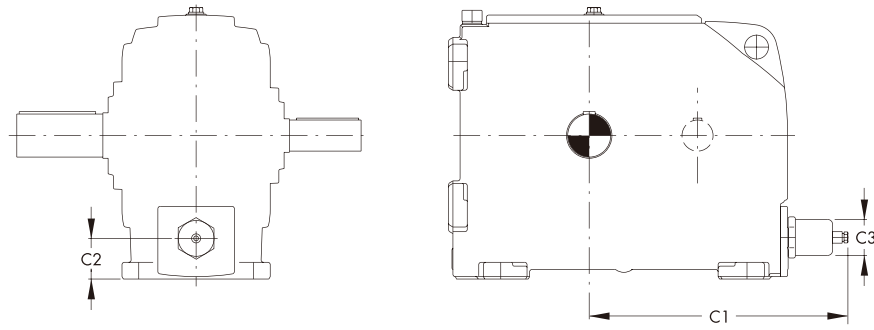
The user is responsible for the provision of **safety guards** and correct installation of all equipment.

Certified dimensions upon request.

用户应正确安装所有设备并提供安全保护装置

可按要求提供详细尺寸

## High and low speed shaft in the same horizontal plane 高低速轴在同一水平面



	Size - 规格				
	C	D	E	F	G
<b>C1</b>	505	545	630	705	820
<b>C2</b>	80	90	90	110	120
<b>C3</b>	75	75	75	75	75

QHP.1.



# Hansen P4

97QU-HP1NV0003 D

mm

Gear unit	减速机				Q
Horizontal low speed shaft	水平低速轴				H
Parallel shafts	平行轴				P
Size	规格				C ▶ G
Single stage	单级				1

<b>Options</b>	<b>选项</b>
Oil sight glass	油位镜
Dust-proof breather plug	防尘呼吸器

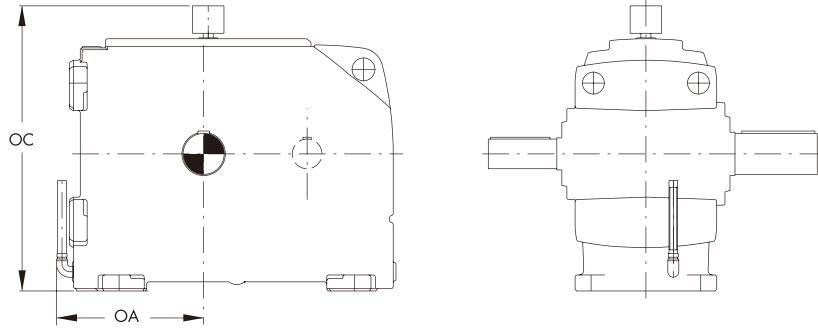
The user is responsible for the provision of **safety guards** and correct installation of all equipment.

Certified dimensions upon request.

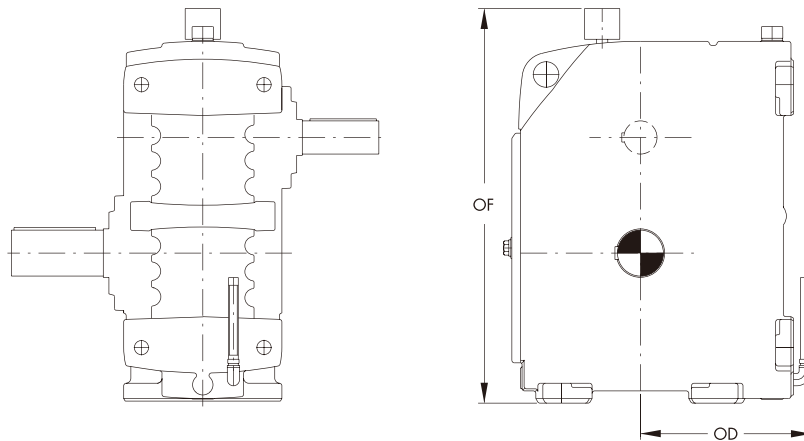
用户应正确安装所有设备并提供安全保护装置

可按要求提供详细尺寸

## High and low speed shaft in the same horizontal plane 高低速轴在同一水平面



## High speed shaft above low speed shaft 高速轴位于低速轴上方 W



Position - 位置		Size - 规格				
Oil sight glass - 油位镜	OA	295	345	365	440	500
	OD	310	360	410	480	540
Dust-proof breather plug - 防尘呼吸器	OC	590	650	755	880	1110
	OF	680	770	880	1040	1215

# Hansen P4

97QU-HP1NE0003 B

mm

<b>Gear unit</b>	减速机				<b>Q</b>
<b>Horizontal low speed shaft</b>	水平低速轴				<b>H</b>
<b>Parallel shafts</b>	平行轴				<b>P</b>
<b>Size</b>	规格				<b>C ▶ G</b>
<b>Single stage</b>	单级				<b>1</b>

<b>Options</b>	选项
<b>Drain cock</b>	放油阀
<b>Pt100 meter for bearing temperature</b>	轴承用Pt100温度传感器

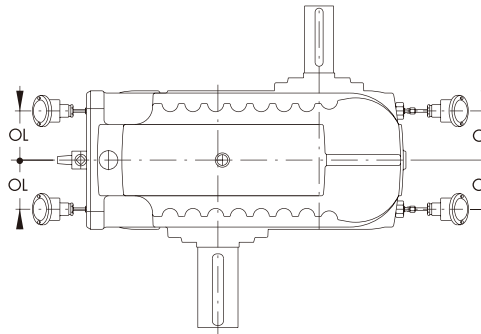
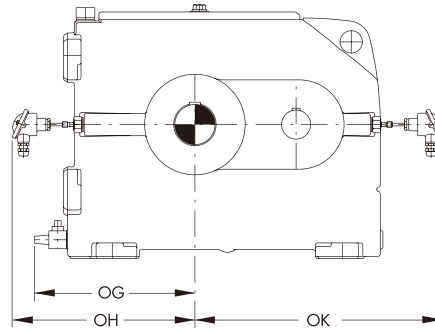
The user is responsible for the provision of **safety guards** and correct installation of all equipment.

Certified dimensions upon request.

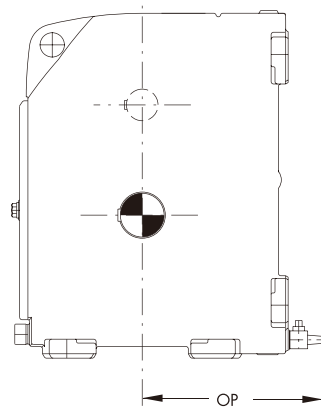
用户应正确安装所有设备并提供安全保护装置

可按要求提供详细尺寸

## High and low speed shaft in the same horizontal plane 高低速轴在同一水平面



## High speed shaft above low speed shaft 高速轴位于低速轴上方 W



Position - 位置		Size - Taille - Baugröße - Tamaño				
		C	D	E	F	G
Drain cock - 放油阀	OG	360	375	395	505	565
	OP	360	390	440	535	595
Pt100 meter - Pt100温度传感器	OH	325	370	390	465	520
	OK	480	515	600	675	785
	OL	100	110	130	145	185

QHP.1.

