

CYCLO[®] Drive

Gearmotor

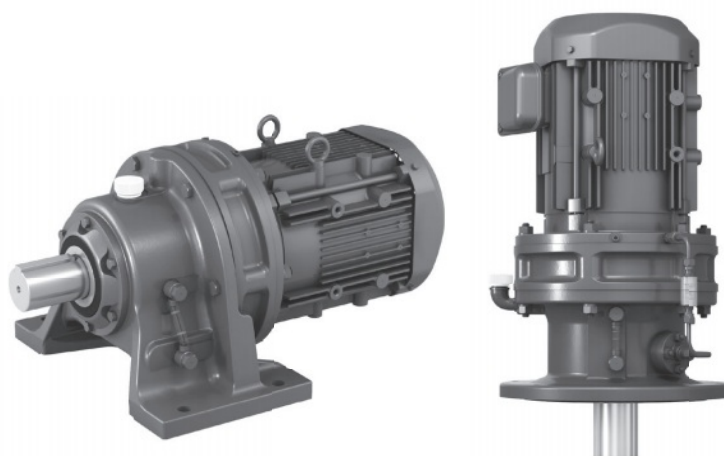
Reducer

CYCLO Drive for Servo Motors

Application Product

CYCLO Drive with Torque Limiter

CYCLO Drive with Special Vertical Base Mount



《CAUTION》

- These Products should be handled, installed and maintained by trained technicians.
Carefully read the maintenance manual before use.
- A copy of this maintenance manual should be sent to the actual user.
- This maintenance manual should be kept by the user for future reference.

Introduction: Safety Precautions


- Carefully read this maintenance manual and all accompanying documents before use (installation, operation, maintenance, inspection, etc.). Thoroughly understand the machine, information about safety, and all precautions for correct operation. After reading, retain this manual for future reference.
- Pay close attention to the "DANGER" and "CAUTION" warnings regarding safety and proper use.



Improper handling may result in physical damage, serious personal injury and / or death.



Improper handling may result in physical damage and/ or personal injury.

Matters described in  may lead to serious danger depending on the situation. Be sure to observe important matters described herein.







- Transport, installation, plumbing, wiring, operation, maintenance, and inspections should be performed by trained technicians; otherwise, electric shock, injury, fire, or damage to the equipment may result.
- In the case of maintenance with disassembly, please contact the nearest authorized service station.
- When using the equipment in conjunction with **explosion proof motor**, a technician with electrical expertise should supervise the transport, installation, plumbing, wiring, operation, maintenance and inspection of the equipment, so as to avoid a potentially hazardous situation that may result in electrical shock, fire, explosion, personal injury and/or damage to the equipment.
- When the unit is to be used in a system for human transport, a protecting device for human safety should be installed to prevent accidents resulting in personal injury, death, or damage to the equipment due to running out of control or falling.
- When the unit is to be used for an elevator or lifter, install a safety protecting device on the elevator side to prevent falling; otherwise, personal injury, death, or damage to the equipment may result.

Introduction: How to Refer to the Maintenance Manual, Table of Contents

This maintenance manual is common for “gearmotors”, “reducers”, “CYCLO Drive for servo motor” and “the application products CYCLO Drive with Torque Limiter and CYCLO Drive with Vertical Base”.

The symbols shown below appear in the upper right or left corner of each page to indicate the classification. Please read the applicable pages.

On **Common** pages, symbols identify distinctions between specific specifications.

Specifications	All specifications are common	Gearmotor		Reducer (Include with Drive for servo motor)	Application product
		Without brake	With brake		
Mark	Common				

Contents

Common

Introduction: Safety Precautions	1
Introduction: How to Refer to the Maintenance Manual, Table of Contents	2
1. Inspection Upon Delivery	3
2. Storage	8
3. Transport	9
4. Installation	10
5. Coupling with Other Machines	13
6. Wiring	15
7. Operation	34
8. Daily Inspection and Maintenance	36
9. Troubleshooting	72
10. Construction Drawings	74

Application Product CYCLO Drive with Torque Limiter

11. Wiring	82
12. Adjusting Preset Torque	84
13. Daily Inspection and Maintenance	85
14. Torque Indicator	86
15. Construction Drawings	87

Application Product CYCLO Drive with Vertical Special Base Mount

16. Coupling with Other Machines	92
17. Daily Inspection, Maintenance	94
18. Construction Drawings	95

Common

19. Warranty	96
--------------------	----

⚠ CAUTION

- Unpack the unit after verifying that it is positioned right side up; otherwise, injury may result.
- Verify that the unit received is in fact the one you ordered. Installing the wrong unit may result in personal injury or equipment damage.
- Do not remove the nameplate.

Verify the items listed below upon receiving the product. If a nonconformity or problem is found, contact our nearest agent, distributor, or sales office.

- [1] Does the information on the nameplate conform to what you ordered?
- [2] Was any part broken during transport?
- [3] Are all bolts and nuts tightened firmly?

1-1 Reading the Nameplates

There are two main types of nameplates: type 1 and type 2. Representative examples are shown below. Please observe them by type.

When contacting the company, please provide [1]. Gearmotor or reducer nomenclature, [2]. Reduction ratio, and [3]. Serial number.

(1) For gearmotor

■ Nameplate type 1: Gear unit and motor unit are combined.

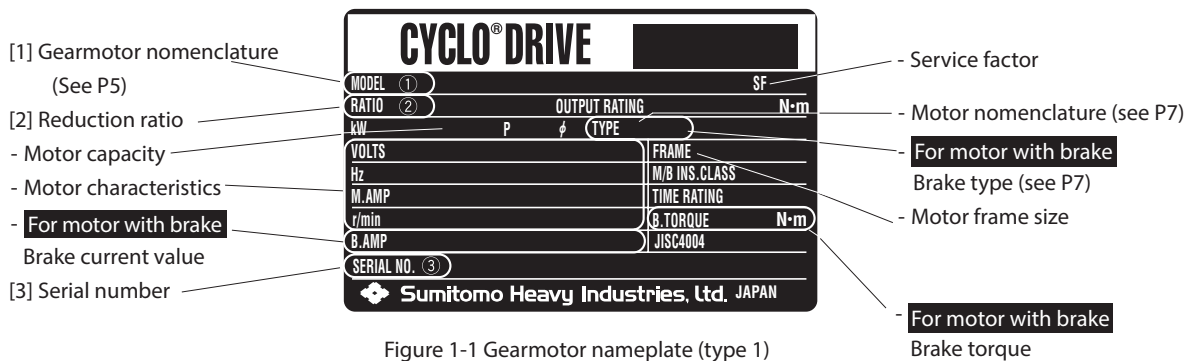


Figure 1-1 Gearmotor nameplate (type 1)

■ Nameplate type 2: Separate nameplates for gear unit and motor unit.

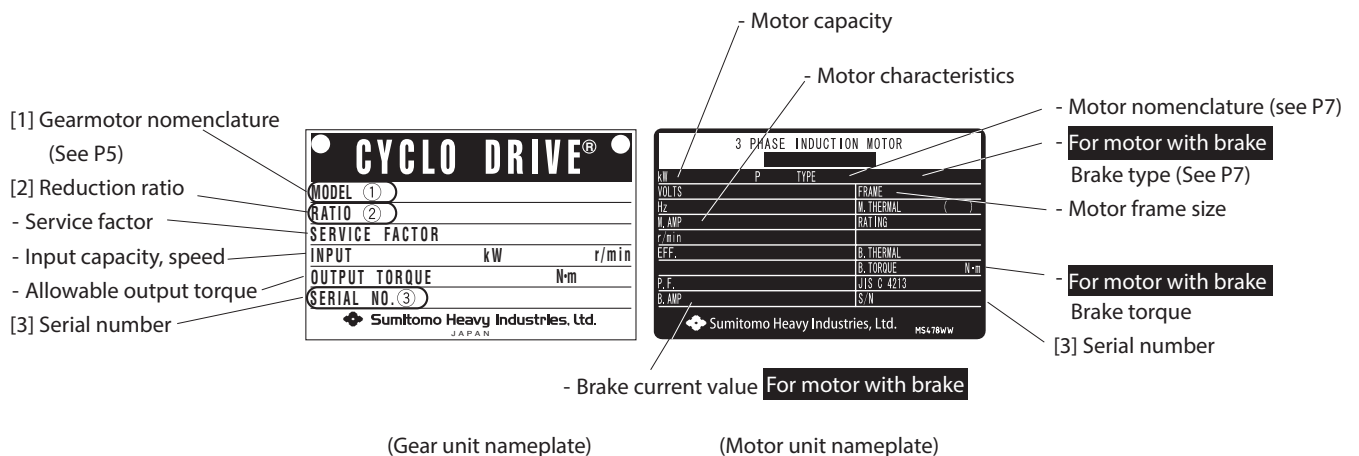


Figure 1-2 Gearmotor nameplate (type 2)

(2) For reducer

■ Nameplate type 1

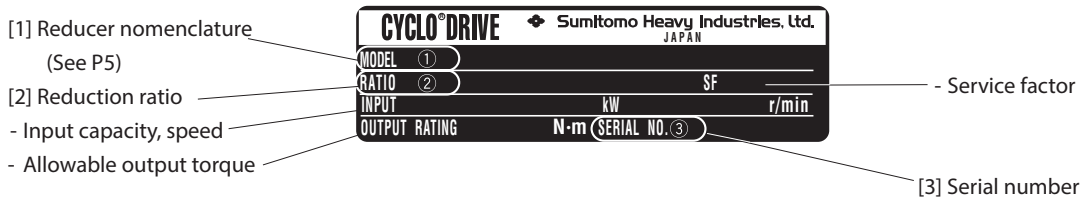


Figure 1-3 Reducer nameplate (type 1)

■ Nameplate type 2

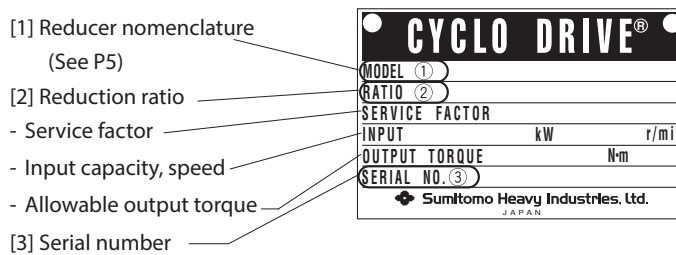


Figure 1-4 Reducer nameplate (type 2)

(3) For torque limiter equipped (motor unit nameplate is the same as in figure 1-2.)

■ Gear unit nameplate

Confirm that the preset torque value marked in the gear unit nameplate and the preset torque value marked on the adjustment indicator plate (see P84) are the same as the required specification.

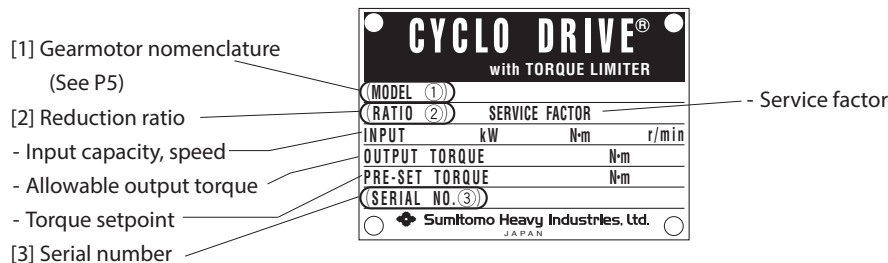


Figure 1-5 Torque limiter nameplate (gear unit nameplate)

■ Alarm torque nameplate

With 2-point signal configuration (double safety specification), an alarm torque nameplate is attached near the nameplate in figure 1-5.



Figure 1-6 Torque Limiter Nameplate (Alarm torque nameplate)

1-2 Checking Lubrication Method

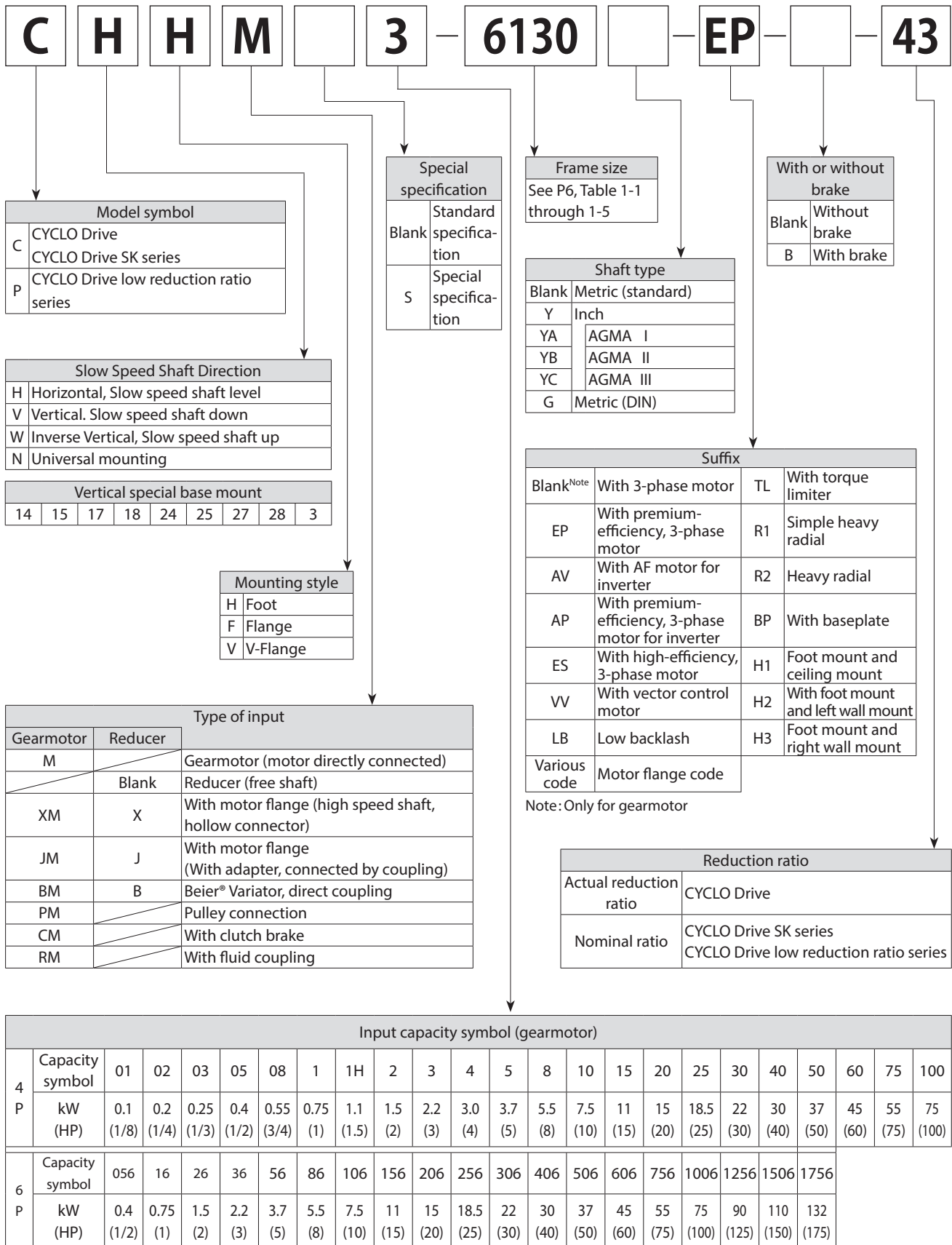
Refer to “8-2 Confirmation of Lubrication Method” (P37) to confirm the lubrication method.

Oil lubricated machines are shipped with oil removed. Before operating, make certain to oil with the recommended lubricating oil. (See P38–40)

1. Inspection upon Delivery Common

1-3 Gearmotor, Reducer Nomenclature

Symbol meanings are shown below. Please confirm that the nomenclature matches the order.



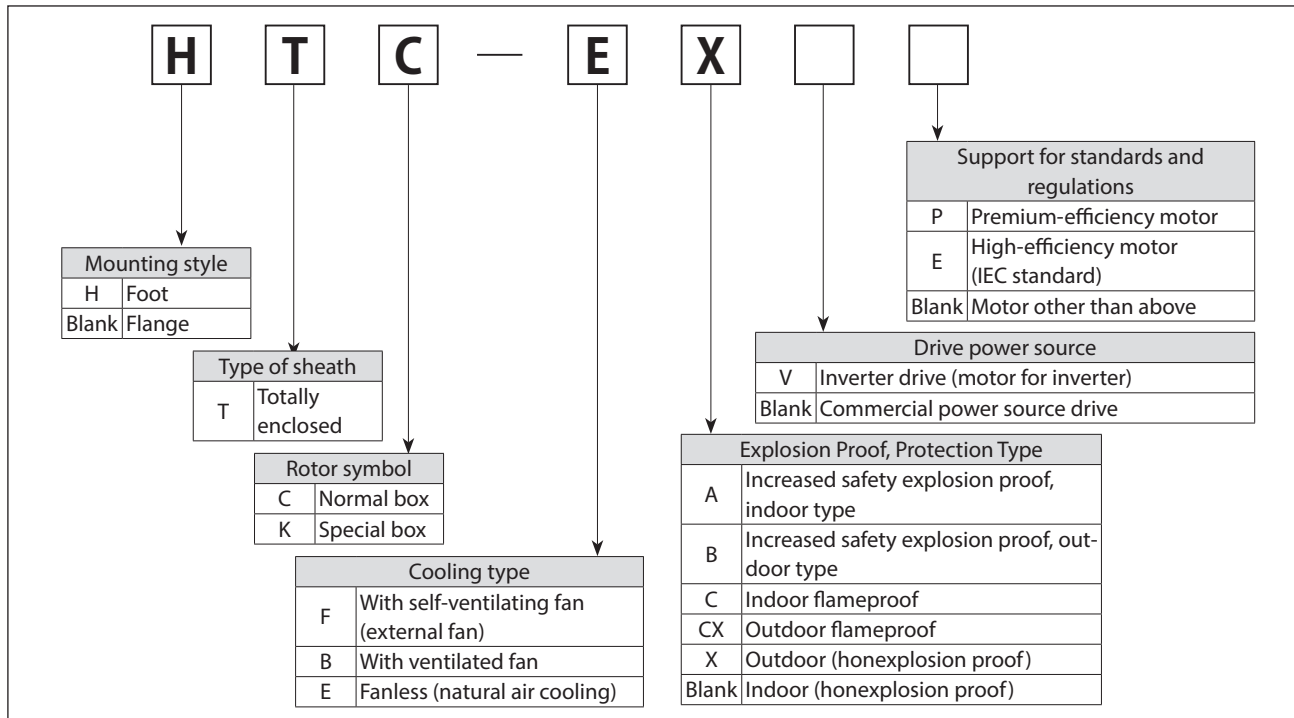
1. Inspection upon Delivery



1-4 Motor Nomenclature

Symbol meanings are shown below. Please confirm that the nomenclature matches the order.

When used with a vector motor, or other manufacturer's motor (There are some models made by other manufacture.), see the relevant operation manual.



1-5 Brake type

Table 1-6 shows the relationship between standard brake type and motor type and capacity range.

Table 1-6 Brake type

Brake type	Motor capacity (kW)						
	3-phase motor	Premium-efficiency, 3-phase motor		AF motor for inverter		Premium-efficiency, 3-phase motor for inverter	High-efficiency, 3-phase motor
	4P	4P	6P	4P	6P	4P	4P
FB-01A1	0.1	-	-	-	-	-	-
FB-02A1	0.2 0.25	-	-	0.1	-	-	-
FB-05A1	0.4	-	-	0.2	-	-	0.2
FB-1D	0.55	-	-	0.4	-	-	0.4
FB-1E	-	0.75	-	-	-	0.75	-
FB-1HE	-	1.1	-	-	-	-	-
FB-2E	-	1.5	-	-	-	1.5	-
FB-3E	-	2.2	-	-	-	2.2	-
FB-4E	-	3.0	-	-	-	-	-
FB-5E	-	3.7	-	-	-	3.7	-
FB-8E	-	5.5	-	-	-	5.5	-
FB-10E	-	7.5	-	-	-	7.5	-
FB-15E	-	11	-	-	-	11	-
FB-20	-	15	-	-	-	15	-
FB-30	-	18.5 22 30	15 18.5 22	-	-	18.5 22 30	-
ESB-250 (Horizontal Type)	-	37 45	30 37	30 37	18.5 22 30	37 45	-
ESB-250-2 (Vertical Type)	-						

Note: Depending on the specification, brake type may differ from the types shown in Table 1-6. Check the nameplate.

If this product is not for immediate use, note the following points when storing it.

2-1 Storage Location

Store the product indoors in a clean, dry location.

Do not store outdoors. Store in a location that is free of moisture, dust, extreme temperature changes, corrosive gases, etc.

2-2 Storage Time

- The storage time should be within the rust prevention time shown below.
- Standard rust prevention specifications

External rust prevention

Rust prevention oil is applied when shipping from the factory. Check the rust conditions to see if any rust is forming on the machined surface every six months after shipment. Reapply the rust prevention oil or any other rust prevention process, if necessary.

Internal rust prevention

Lubrication	Grease lubricated machines	Oil lubricated machines
Rust prevention time	One year	Six months
Storage conditions	Store in an ordinary factory or warehouse in an environment free of moisture, dust, extreme temperature changes, corrosive gases, etc.	

- If for export, or if the storage time is longer than one year, adherence to special rust prevention specifications is required. Please consult with us.
- If the storage time is longer than one year, run for a few minutes under no load once every two to three months. Measure (see P16) and check the insulation resistance of the motor at that time.

2-3 Using after Storage

- Oil seals are affected by temperature, ultraviolet light and other ambient conditions and can easily degrade. After long storage periods, inspect before operation, and replace any degraded seals with new seals.
 - If the storage time is longer than two years, replace the oil seal and the grease before starting operation.
 - At startup, check that there are no unusual noises, vibrations, temperature rises, or other symptoms. For models with brakes, check that brakes work properly.
- If any abnormalities are found, immediately contact the nearest authorized service station.

DANGER

- Do not stand directly under a unit suspended by a crane or other lifting mechanism; otherwise, injury, or death may result.

CAUTION

- Exercise ample care so as not to drop the unit.
When a hanging bolt or hole is provided, be sure to use it. After mounting a unit to a machine, do not hoist the entire machine using the hanging bolt or hole; otherwise, personal injury or damage to the equipment and/ or lifting device may result.
- Before hoisting, refer to the rating plate, crate, outline drawing, catalog, etc. for the weight of the unit. Never hoist a unit that exceeds the rating of the crane or other mechanism being used to lift it; otherwise, personal injury or damage to the equipment and/ or lifting device may result.
- When the products are lifted, use suitable lifting parts, and confirm which eye-bolts and nuts are not loose.
- Always drain oil lubricated models before mounting, moving, and transporting.
Moving with lubricating oil in the machine may cause oil to escape from the air vent, etc.

⚠ DANGER

- Do not use a standard unit in an explosive atmosphere (which is likely to be filled with explosive gas or steam). Under such conditions, an explosion proof motor should be used; otherwise, electric shock, personal injury, explosion fire, or damage to the equipment may result.
- In the case of a **Explosion proof motor**, use a motor that has specifications that are appropriate for a dangerous location (a location where gas or volatile vapor is present); otherwise explosion, ignition, electric shock, injury, fire, or equipment damage may result.
- Since the inverter itself is not explosion proof, **when a flameproof motor is driven by an inverter** install an inverter in a place free from explosive gas; otherwise, electric shock, personal injury, explosion fire, or damage to the equipment may result.

⚠ CAUTION

- Do not use the products for purposes other than those shown on the nameplate or in the manufacturing specifications; otherwise, electric shock, personal injury, or damage to the equipment may result.
- Do not place flammable objects around the gearmotor; otherwise, fire may result.
- Do not place any object around the gearmotor or reducer that will hinder ventilation. Insufficient ventilation can cause excessive heat build-up that may result in burns or fire.
- Do not step on or hang from the gearmotor or reducer; otherwise injury may result.
- Do not touch the shaft end of the gearmotor or reducer, inside keyways, or the edge of the motor cooling fan with bare hands; otherwise, injury may result.
- When the unit is used in food processing applications, machines for cleanroom and so on, vulnerable to oil contamination, install an oil pan or other such device to cope with oil leakage due to breakdown or failure; otherwise, oil leakage may damage products.
- Always drain oil lubricated models before mounting, moving, and transporting. Moving with lubricating oil in the machine may cause oil to escape from the air vent, etc.

4-1 Installation Location

- Ambient temperature: -10 to +40°C
- Ambient humidity: Maximum 85%
- Altitude: Maximum 1,000 m
- Atmosphere: No corrosive or volatile gases, no steam
Dust-free, well-ventilated area.
- Installation location: Indoor type: Indoors (area with minimal dust, no contact with water)
Outdoor type: Indoors or outdoors (place where are got wet with common rainwater not but direct heavy wind and rain)
Vibration: Maximum 1G

- Mounting in conditions other than the above requires adherence to optional specifications. Please consult with us.
- Drives built to specifications, such as explosion proofing, can be used in the specified mounting environments. However, concerning the connector to the machine used, implement measures based on the mounting environment.
- Mount in a location that enables easy operation, such as inspection and maintenance.
- Mount on a sufficiently rigid base.

4-2 Mounting Angle

Table 4-1 Mounting Angle

Grease lubricated machines	Long-life grease models (Except SK series)	Free
	Machine types other than the above	Slow speed shaft is horizontal or vertical (depends on nomenclature. See P5. Please consult with us for inclined mounting).
Oil lubricated machines		Slow speed shaft is horizontal or vertical (depends on nomenclature. See P5. Please consult with us for inclined mounting).

For machines built to a specified mounting angle, only use the specified mounting angle.

Do not remove the motor's eye-bolt. In the rare case that it is removed, insert a bolt or other appropriate material into the screw hole to prevent water or other substances from entering the motor through the screw hole.

For the horizontal slow speed shaft level type (see P5), attach it as shown in the figure below.

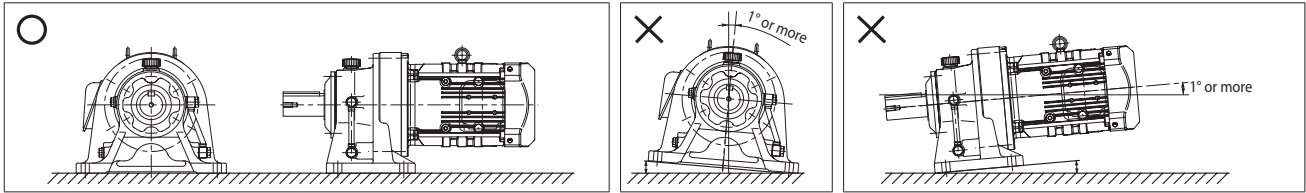


Figure 4-1 Mounting Angle (Example: Foot mount type)

4-3 When Load Condition Is Critical

In cases of extreme vibration or frequent startup, it is recommended to knock the foot unit, and use a mounting bolt of at least class 8.8 (JIS B 1051) strength.

4-4 Flange Type Assembly Issues (Models: CNFM, CHFM, CNF, CHF, etc.)

- [1] Remove the fan cover if there is one installed (reducer frame size of 6160 or more).
- [2] Remove the nut and bolt for ring gear housing. Take care when loosening the nut, as the bolt for ring gear housing may rotate together.
- [3] A nut of a different size to the nut for ring gear housing may be assembled between the nut for ring gear housing and casing when the device is shipped. Remove this nut, as it is a spacer replacement nut for preventing damage to the faces of the nut for ring gear housing and casing, as well as for preventing the nut coming free of the threaded section of bolt for ring gear housing.
- [4] Assemble the device to the driven machine, and tighten the nut and bolt for ring gear housing with the tightening torque shown in Table 4.2.

- Disassembly prevention nuts are installed at 2 locations of the bolt for ring gear housing (opposing angles) to prevent disassembly of the reducer in case the bolt for ring gear housing is removed. Do not remove the disassembly prevention nuts. Removing them may result in the casing, ring gear housing, internal cover, motor and other parts disassembling and falling off, and may cause injury.
- Using only the disassembly prevention nuts with the nut for ring gear housing removed does not generate a sufficient level of torque. Do not use only the disassembly prevention nuts for ring gear housing for long periods of time, move them excessively or subject them to shock. Lubricant or grease may leak if there are gaps develop between any of the mating faces.
- Tightening the nut for ring gear housing changes the axial force of the disassembly prevention nuts, and may result in them coming loose. To remove the CYCLO Drive after temporarily assembling the device to the driven machine, check that the disassembly prevention nuts have not become loose.

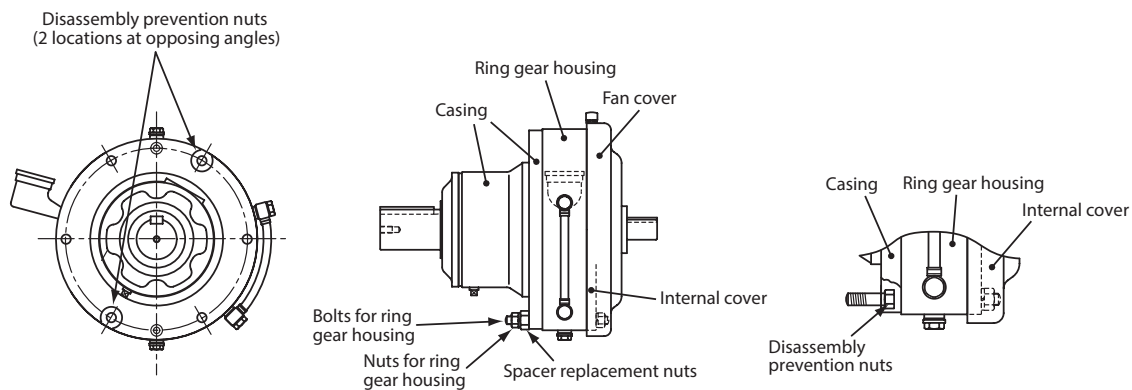


Figure 4-2 Construction Drawings

Table 4-2 Tightening torque for nuts and bolts for ring gear housing

Frame size		Size	Tightening Torque (N·m)	Frame size		Size	Tightening Torque (N·m)
Single reduction	Double reduction			Single reduction	Double reduction		
606□	606□DA	M6	11	617□	617□DA, 617□DB, 617□DC	M12	96
607□	607□DA			618□	618□DA, 618□DB		
608□	-			619□	619□DA, 619□DB		
609□	609□DA	M8	25	6205	6205DA, 6205DB	M16	219
610□	610□DA			6215	6215DA, 6215DB	M18	298
611□	-			6225	6225DA, 6225DB	M20	475
612□	612□DA, 612□DB	6235	6235DA, 6235DB				
613□	613□DA, 613□DB, 613□DC	M10	55	6245	6245DA, 6245DB	M24	794
614□	614□DA, 614□DB, 614□DC			6255	6255DA, 6255DB		
616□	616□DA, 616□DB, 616□DC	M12	96	6265	6265DA	M30	1590

Note: 1. The symbol □ in frame size can be "0" or "5."

2. If a nut and bolt are prepared by the customer, a tightening torque that suits the nut and bolt should be used.
3. The position of the disassembly prevention nuts and the shape of each part depend on the frame size.

4-5 Keyless Shaft Motor Assembly Issues (Hollow Connection High Speed Shaft for Servo Motors)

- [1] Remove oil, dirt, and other contaminants from the motor shaft and inside of the CYCLO Drive high speed shaft. (The inner surface of the high speed shaft is treated with rust prevention oil before shipping.)
- [2] Position the reducer on a platform so that the slow speed shaft is on the bottom.
- [3] Align the high speed shaft with the notch on the clamp ring.
- [4] Remove the adapter plate cap and insert a hexagonal wrench through the setting hole into the hexagon socket head bolt in the clamp ring. Next, insert the motor shaft into the high speed shaft.
- [5] When assembling the motor and CYCLO Drive, make sure that the centers of both shafts are aligned. Do not force the assembly if the shafts are slanted or misaligned.
- [6] Fasten the motor and adapter plate using the motor mounting bolt. Tighten after confirming that the motor fitting is securely inserted into the adapter plate fitting. Important: If the bolt is tightened when the fitting is not inserted, uneven tightening will result, causing damage to the internal bearing and other components.
- [7] Tighten the clamp ring hexagon socket head bolt to the torque shown in Table 4-3.
- [8] After operating at low speed, increase the tightening torque as shown in Table 4-3.
- [9] Attach the adapter plate cap that had been removed.

Table 4-3 Tightening torque for the clamp ring hexagon socket head bolt

Bolt size	M4	M5	M6	M8	M10	M12
Tightening Torque (N·m)	4.3	5.5	9.6	23	46	79

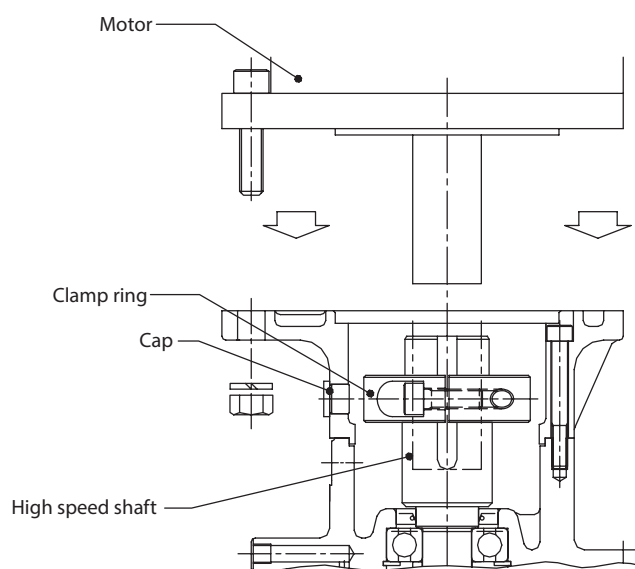


Figure 4-2 Assembly Diagram

4-6 Keyed Shaft Motor Assembly Issues (Hollow Connection High Speed Shaft for Servo Motor or General Flange Motors)

- [1] Remove oil, dirt, and other contaminants from the motor shaft and inside of the CYCLO Drive high speed shaft. (The inner surface of the high speed shaft is treated with rust prevention oil before shipping.)
- [2] Align the motor shaft key with the high speed hollow shaft keyway. (Keyway dimensions conform to JIS B 1301-1996 (ISO) "Keys and Their Corresponding Keyways: Parallel keys (Normal Type)").
- [3] Coat the motor shaft with molybdenum disulfide grease to prevent fretting.
- [4] Depending on the motor combination, a spacer for preventing the key from falling out may be in a separate shipment. Before assembly, insert the spacer deep into the hole in the high speed shaft. Operation with uninserted spacer could result in the key falling out and damaging the shaft.
- [5] When assembling the motor and CYCLO Drive, make sure that the centers of both shafts are aligned. Do not force the assembly if the shafts are slanted or misaligned or if the key is only partially engaged.
- [6] Fasten the motor and adapter plate (internal cover) using the motor mounting bolt. Tighten after confirming that the motor fitting is securely inserted into the adapter plate (internal cover) fitting. Important: If the bolt is tightened when the fitting is not inserted, uneven tightening will result, causing damage to the internal bearing and other components.

⚠ CAUTION

- Confirm the rotation direction before coupling the unit with the driven machine. Incorrect rotation direction may cause personal injury or damage to the equipment.
- When operating the product alone (uncoupled), remove the key that is temporarily attached to the slow speed shaft; otherwise the key could fly off, and injury may result.
- Cover rotating parts; otherwise, injury may result.
- When coupling the product with a load, check that the centering, the belt tension and parallelism of the pulleys are within the specified limits. When the unit is directly coupled with another machine, check that the direct coupling accuracy is within the specified limits. When a belt is used for coupling the unit with another machine, check the belt tension. Correctly tighten bolts on the pulley and coupling before operation; otherwise there is a risk of injury due to scattering the broken pieces or of damage to the products.

5-1 Checking Rotational Direction

(1) For gearmotor

Table 5-1 shows the direction of slow speed shaft rotation when wiring is performed as on P18–31.

Table 5-1 Slow Speed Shaft Rotation Direction (Gearmotor)

When wiring is performed as shown on P18–31, the motor shaft rotates to the right as seen from the anti-load side. In the following diagrams, arrows show the direction of slow speed shaft rotation in this case.		
Gear unit construction	Single Reduction – Triple Reduction	Double Reduction SK Series Low reduction ratio series
Slow speed shaft rotation direction (Seen from load side)		

Note :To cause reverse rotation, reverse R and T on P18 and P20–27.

(2) For reducer

Table 5-2 Slow Speed Shaft Rotation Direction (Reducer)

Gear unit construction	Single Reduction – Triple Reduction	Double Reduction SK Series
Slow speed shaft rotation direction	Rotates in opposite direction as the high speed shaft.	Rotates in same direction as the high speed shaft.

Note :For the SK series, "SK" is appended to frame sizes.

For the low reduction ratio series, "P" is prepended to nomenclature.

5-2 Mounting Connected Equipment

- When mounting connected equipment, do not apply impact or excessive axial load to the shaft. The bearing could be damaged, or the collar could come off.
- Shrinkage fit is recommend.

(1) When using a coupling

The alignment accuracy (A, B, X) in figure 5-1 should be no greater than that shown in Table 5-3.

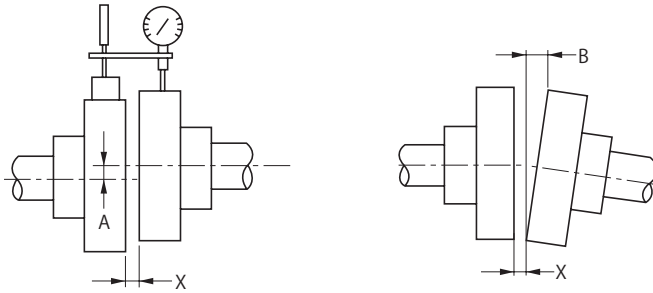


Figure 5-1

Table 5-3 Alignment Precision for Flexible Coupling

Allowable tolerance A	0.1 mm or manufacturer-specified value
Allowable tolerance B	0.1 mm or manufacturer-specified value
X	manufacturer-specified value

(2) When using chains, sprockets, or gears

- When using a chain, attach so that the chain tension angle is perpendicular to the shaft.
- Refer to the chain catalog or other reference for chain tension.
- The pitch circle of the sprocket and gear shall be more than three times of the shaft diameter.
- The working load point of the sprocket or gear should go from the center of the shaft to this product. (See figure 5-2)

(3) When using a V belt

- Over-tightening the V belt will damage the shaft and bearing. Refer to the V belt catalog or other reference for V belt tension.
- The parallelism, eccentricity β of the two pulleys should be within 20° . (See figure 5-3)
- When using multiple V belts, use a matched set having the same circumferential length.

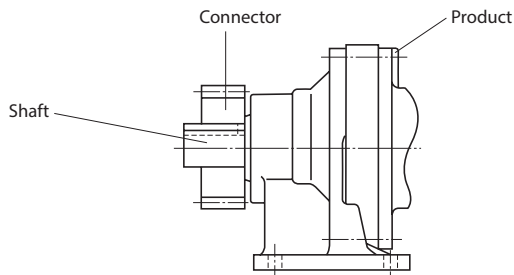


Figure 5-2

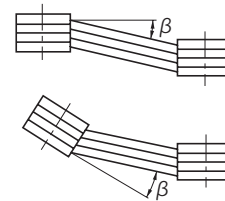


Figure 5-3



When using a vector motor, or other manufacturer's motor (There are some models made by other manufacture.), follow the operation manual for that motor.

This manual shows wiring for motors with Japanese standard specifications. Please consult with us for motors with overseas specifications.

DANGER

- Do not handle the unit when cables are live. Be sure to turn off the power; otherwise, electric shock may result.
- Connect a power cable to the unit according to the diagram shown inside the terminal box or in the maintenance manual; otherwise, electric shock or fire may result.
- Do not forcibly bend, pull, or clamp the power cable and lead wires; otherwise, electric shock or fire may result.
- Correctly ground the grounding bolt; otherwise, electric shock may result.
- The lead-in condition of an **explosion proof motor** shall conform to the facility's electrical codes, extension regulations and explosion proofing guide, as well as the maintenance manual; otherwise, electric shock, personal injury, explosion, fire or damage to the equipment may result.

CAUTION

- When wiring, follow the facility's electrical codes and extension regulations; otherwise, burning, electric shock, injury, or fire may result.
- The motor is not equipped with a protection device. However, it is compulsory to install an overload protector according to facility electrical codes. It is recommended to install other protective devices (earth leakage breaker, etc.), in addition to an overload protector, in order to prevent burning, electric shock, injury, and fire.
- Never touch the terminals when measuring insulation resistance; otherwise, electric shock may result.
- When using a **When using a star-delta starter** select one with an electromagnetic switch on the primary side (3-contact point type); otherwise, fire may result.
- Voltage PWM inverters that use IGBT generate high-voltage surges at the motor terminals, which may degrade the insulation on the motor windings. Especially such as when the cable is long in the 400V class, a surge voltage over 1300V occurs. Therefore, in this case, install an LCR filter, AC reactor, etc. between the inverter and motor to inhibit the surge voltage.
- **When using a motor with brake**, do not turn on connection power to the brake coil when the motor is stopped. Otherwise coil burnout fire, may result. Also, mistaken wiring could damage the rectifier.
- **When a explosion proof motor is driven by an inverter**, use one inverter for one motor. Use the approved inverter for the motor.
- When measuring the insulation resistance of a **explosion proof motor**, confirm that there is no gas or explosive vapor in the vicinity, in order to prevent possible explosion or ignition.
- If ambient temperature exceeds 60°C , place the rectifier in a location where the temperature is 60°C or less. In this case, always protect the entire rectifier with a cover. However, standard ambient temperature conditions for units with and without brakes is -10 to 40°C . (Manufacture to special specification is required for operation in an environment where ambient temperature exceeds 40°C .)
- Long cables cause large voltage drops. Select cables with appropriate diameter so that the voltage drop will no greater than 2%.
- After wiring **outdoor types and explosion proof types** check that terminal box mounting bolts are not loose, and correctly attach the terminal box cover.



6. Wiring

6-1 Removing and Attaching the Resin Terminal Box Cover

3-phase motor 4P: 0.1–0.4kW, high-efficiency, 3-phase motor 4P: 0.2kW, AF motor for inverter: 0.1–0.2kW

(1) Removal

As shown in figure 6-1, to remove the cover, grab the sides of the terminal box, and pull it toward you.

(2) Attachment

Push the terminal box cover from above the terminal box case until a click is heard.

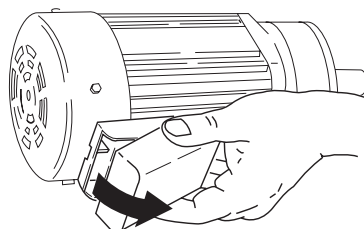


Figure 6-1

6-2 Measuring Insulation Resistance

When measuring insulation resistance, always disconnect the control board and measure the motor alone.

Measure insulation resistance before wiring. Insulation resistance (R) is changed by a number of factors, including motor output, voltage, type of insulation, winding temperature, moisture, degree of fouling, time used, and amount of time test voltage is applied. However, normally, it must be above the values in Table 6-1.

Table 6-1 Values for Insulation Resistance

Motor voltage	Megaohmmeter voltage	Insulation resistance (R)
Low-voltage electric motors of no more than 600V	500V	Minimum 1 MΩ

Reference: JEC -2100 contains the following equation.

$$R \geq \frac{\text{Rated Voltage (V)}}{\text{Rated output power (kW) + 1,000}} \text{ (M}\Omega\text{)}$$

$$R \geq \frac{\text{Rated Voltage (V) + (RPM/3)}}{\text{Rated output power (kW) + 2,000}} + 0.5 \text{ (M}\Omega\text{)}$$

Low insulation resistance is a sign that there is an insulation failure. Do not apply power. Consult an accredited service station.

6-3 Coordination of System Protection

- Use a wiring breaker for short circuit proofing.
- Use an overload protection device designed to handle currents that exceed the rated current on the nameplate.
- For **Increased safety, explosion proof motor**, use an overload protection device capable of protecting the locked rotor current on the nameplate within the allowable locking time.

6-4 Connecting the Power Cable

Connect the power cable and motor lead wire by clasping in a pressure connection terminal as shown in figure 6-2.

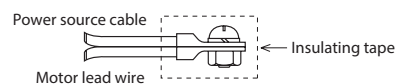


Figure 6-2



6-5 Motor Wiring

Shows the pages for motor wiring diagrams.

Table 6-2 Without Brake

Motor type	Number of poles	Capacity (kW)	Number of lead wires	Page		
				Direct input from commercial power source	Inverter drive	
3-phase motor	Standard	4P	0.1-0.55	3	P18	P19
		4/8P	All	6	P18	-
	Increased safety, explosion proof	4P	0.1-7.5 11-55	3 6	P18	-
		6P	7.5 11-55	3 6	P18	-
	Flameproof	4P	0.1-22 30-37	3 6	P18	-
		4P	0.75-3.7 5.5-55	3 6	P18	-
Premium-efficiency, 3-phase motor	Standard	4P	0.75-3.7 5.5-55	3 6	P18	P19
		6P	15-55	6	P18	P19
	Increased safety, explosion proof	4P	0.75-3.7 5.5-11	3 6	P18	-
AF motor for inverter	Standard	4P	0.1-0.4 30-45	3 11	-	P19
		6P	18.5-45	11	-	P19
	Flameproof	4P	0.2-15 22 30-55	3 6 11	-	P19
Premium-efficiency, 3-phase motor for inverter	4P	0.75-3.7 5.5-55	3 6	-	P19	
High-efficiency, 3-phase motor	4P	0.2-0.4	3	P18	P19	

Table 6-3 With Brake

Motor type	Number of poles	Capacity (kW)	Brakes	Number of lead wires	Page						
					One-direction rotation	Plugging rotation	Inverter drive				
3-phase motor	4P	0.1	FB-01A1	5	P20	P24	P28				
		0.2 0.25	FB-02A1								
		0.4	FB-05A1								
		0.55	FB-1D								
Premium-efficiency, 3-phase motor	4P	0.75	FB-1E	5	P20	P24	P28				
		1.1	FB-1HE								
		1.5	FB-2E								
		2.2	FB-3E								
		3.0	FB-4E								
		3.7	FB-5E								
		5.5	FB-8E								
		7.5	FB-10E								
		11	FB-15E								
		15	FB-20								
	18.5 22 30	FB-30	8	P21	P25	P29					
	37 45	ESB-250 ESB-250-2									
	15 18.5 22	FB-30									
6P	30 37	ESB-250 ESB-250-2	8	P22 P23	P26 P27	P29 P30					
							AF motor for inverter	4P	0.1	FB-02A1	5
0.2	FB-05A1										
0.4	FB-1D										
30 37	ESB-250 ESB-250-2	13	P31								
6P	18.5 22 30	ESB-250 ESB-250-2		13	P31						
Premium-efficiency, 3-phase motor for inverter	4P	0.75	FB-1E	5	-	-	P28				
		1.5	FB-2E								
		2.2	FB-3E								
		3.7	FB-5E								
		5.5	FB-8E								
		7.5	FB-10E								
		11	FB-15E								
		15	FB-20								
		18.5 22 30	FB-30					8	-	-	P29
		37 45	ESB-250 ESB-250-2								
37 45	ESB-250 ESB-250-2										
High-efficiency, 3-phase motor	4P	0.2	FB-05A1	5	P20	P24	P28				
		0.4	FB-1D								

Note: 1. Brake type may differ depending on specification. Check the nameplate.

2. For motors with standard Japanese domestic specifications. Please consult with us for motors with overseas specifications.



6. Wiring

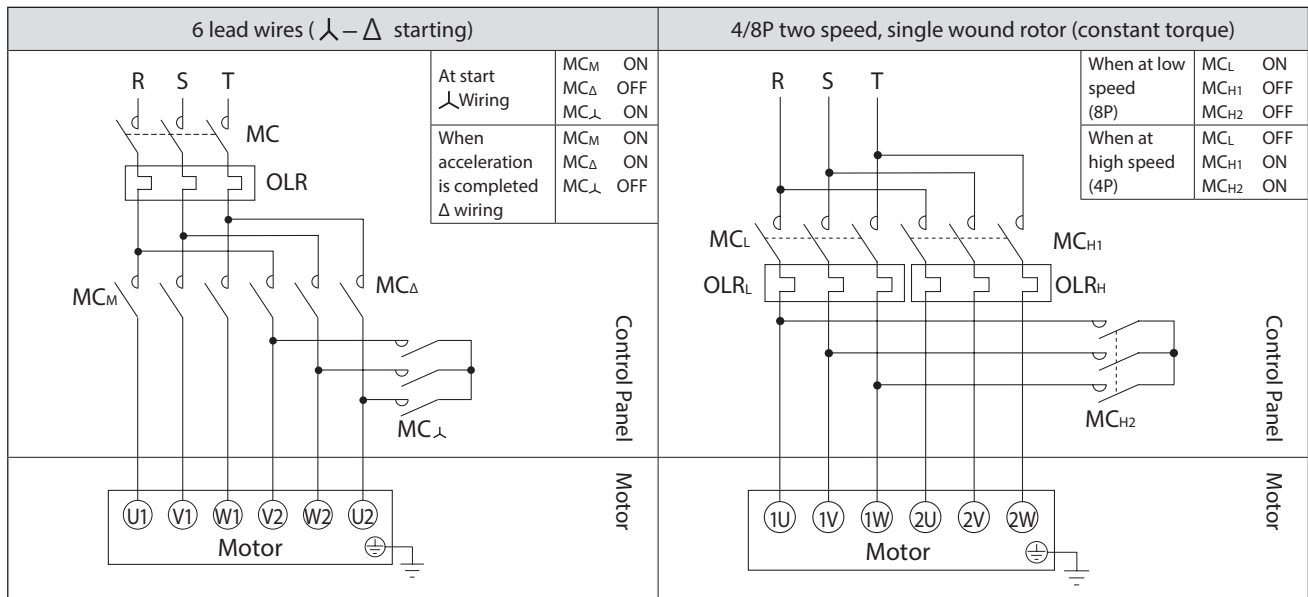
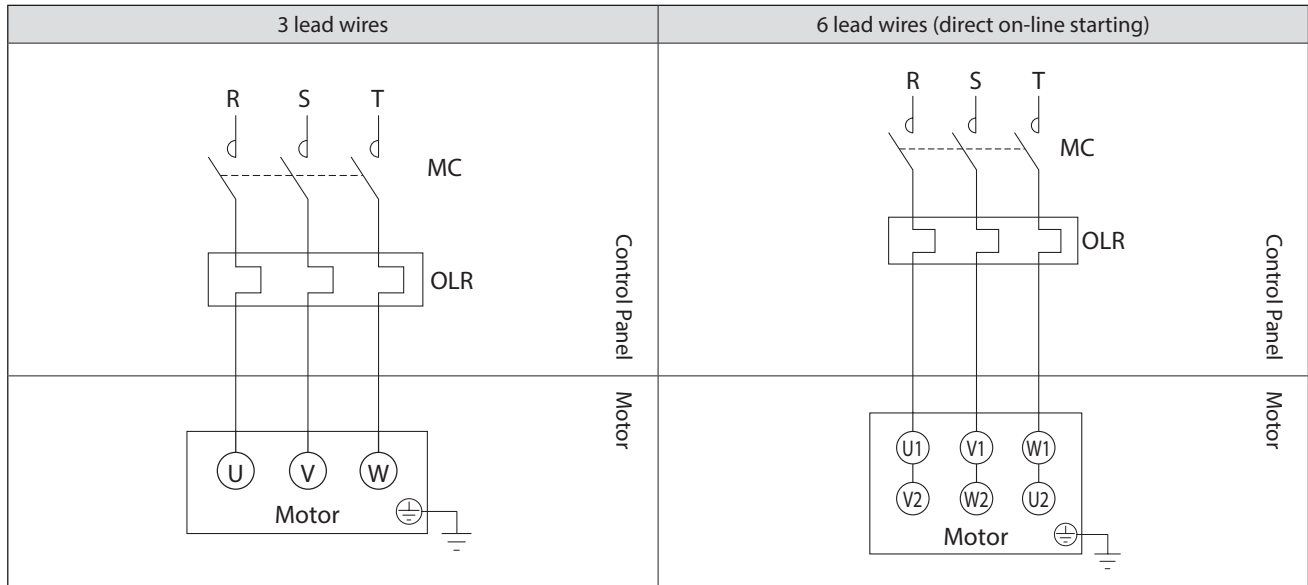
Shows motor wiring and standard specification for terminals and lead wires that are indicated by symbols.

■ Without brake. 3-phase power source

3-phase motor

Premium-efficiency, 3-phase motor

High-efficiency, 3-phase motor



MC: Electromagnetic contactor

OLR: Overload protection device or electronic thermal relay

— Customer to prepare.

- This diagram shows cases for motors with standard Japanese domestic specifications. Please consult with us for motors with overseas specifications.



Without brake Inverter drive

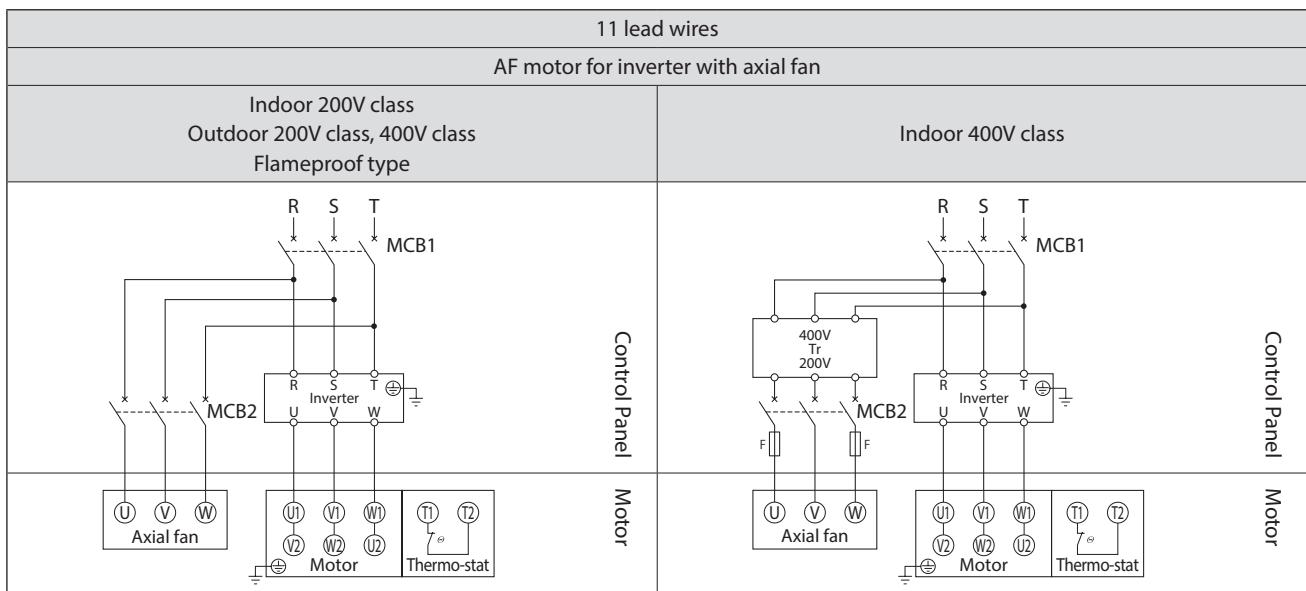
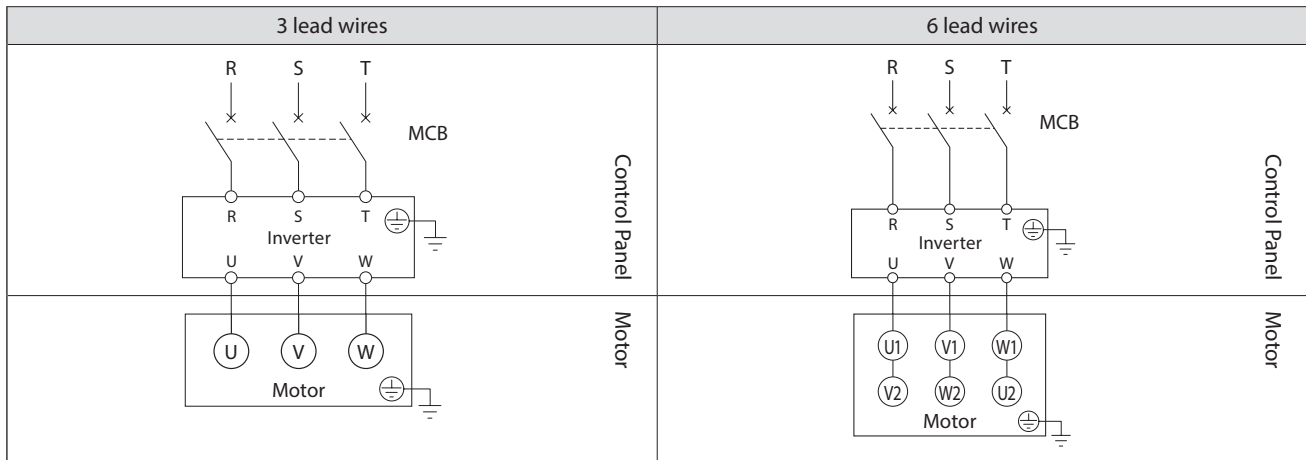
3-phase motor

Premium-efficiency, 3-phase motor

AF motor for inverter

Premium-efficiency, 3-phase motor for inverter

High-efficiency, 3-phase motor



MCB: Breaker for wiring

Tr: Transformer capacity 250–600VA, Secondary voltage 200–220V

F: Fuse 3–5A

Customer to prepare.

- This diagram shows cases for motors with standard Japanese domestic specifications. Please consult with us for motors with overseas specifications.
- When inverter-driving a 400V class 3-phase motor or a 400V class high-efficiency, 3-phase motor, measures must be taken with motor insulation.

In the case of **With axial fan (totally enclosed, ventilated types)**, note the following items.

- Also connect a power source to the axial fan.
- For an indoor 400V class (except flameproof type), the axial fan power source voltage will be 200V class. For special specifications, specifications may differ from the above. Check the manufacturing specifications.
- Connect the fan so that it rotates in the same direction as that shown on the nameplate for direction of rotation. (Normally, the air from the fan will blow in a direction from the anti-load side to the load side.)
- When the motor is shut down for a long period, also shut down the axial fan motor.
- Wire the mounted thermostat.
- Thermostat specification: Terminal symbols: T1, T2 and P1, P2 Operating function: Normal close (b contact point)
Operating temperature: 135°C (for thermal class 155 (F)) Maximum current: DC 24V, 18A; AC 230V, 13A



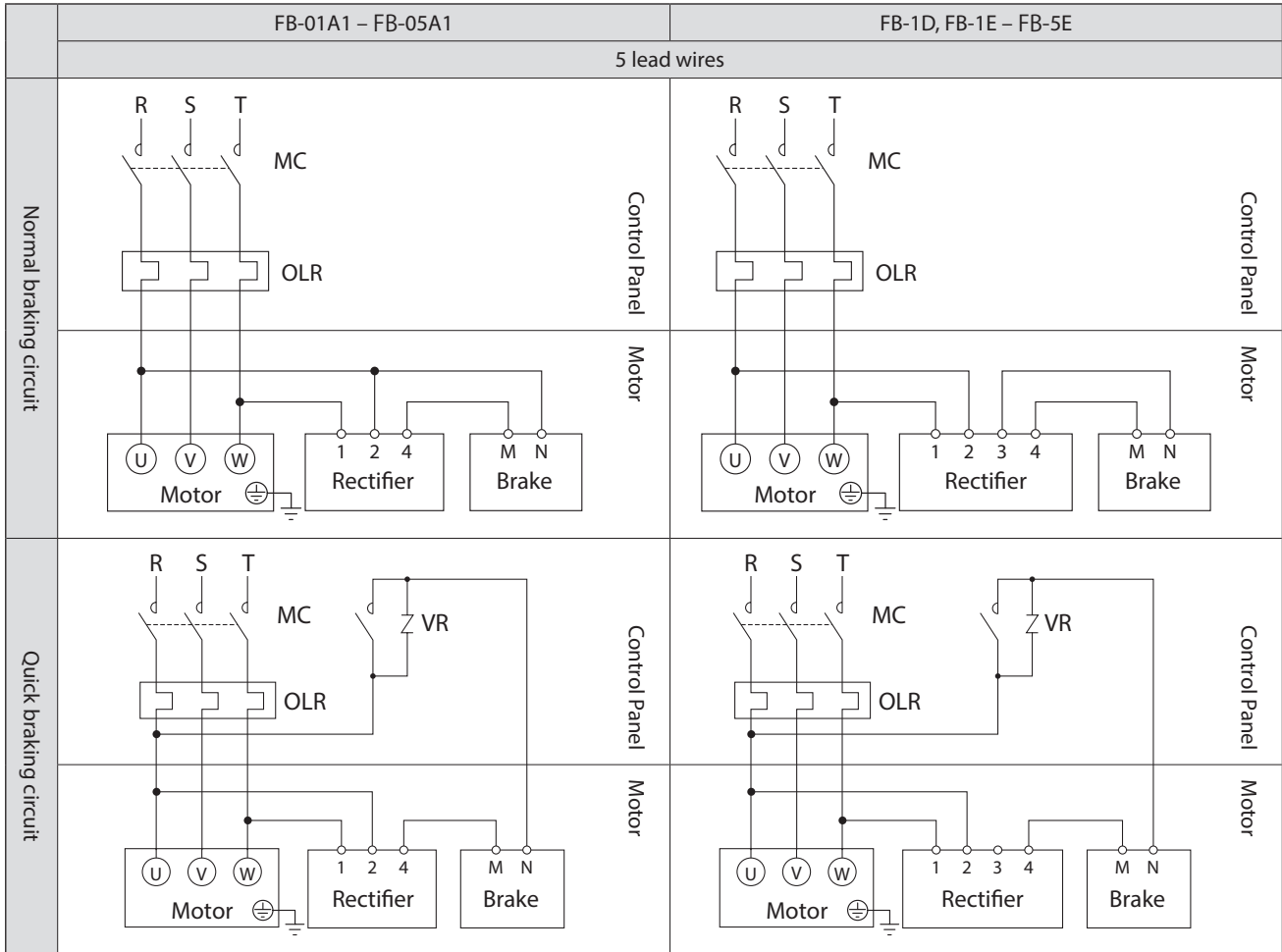
6. Wiring

■ **With brake. 3-phase power source. Operates rotating in one direction.**

3-phase motor

Premium-efficiency, 3-phase motor

High-efficiency, 3-phase motor



MC: Electromagnetic contactor

OLR: Overload protection device or electronic thermal relay

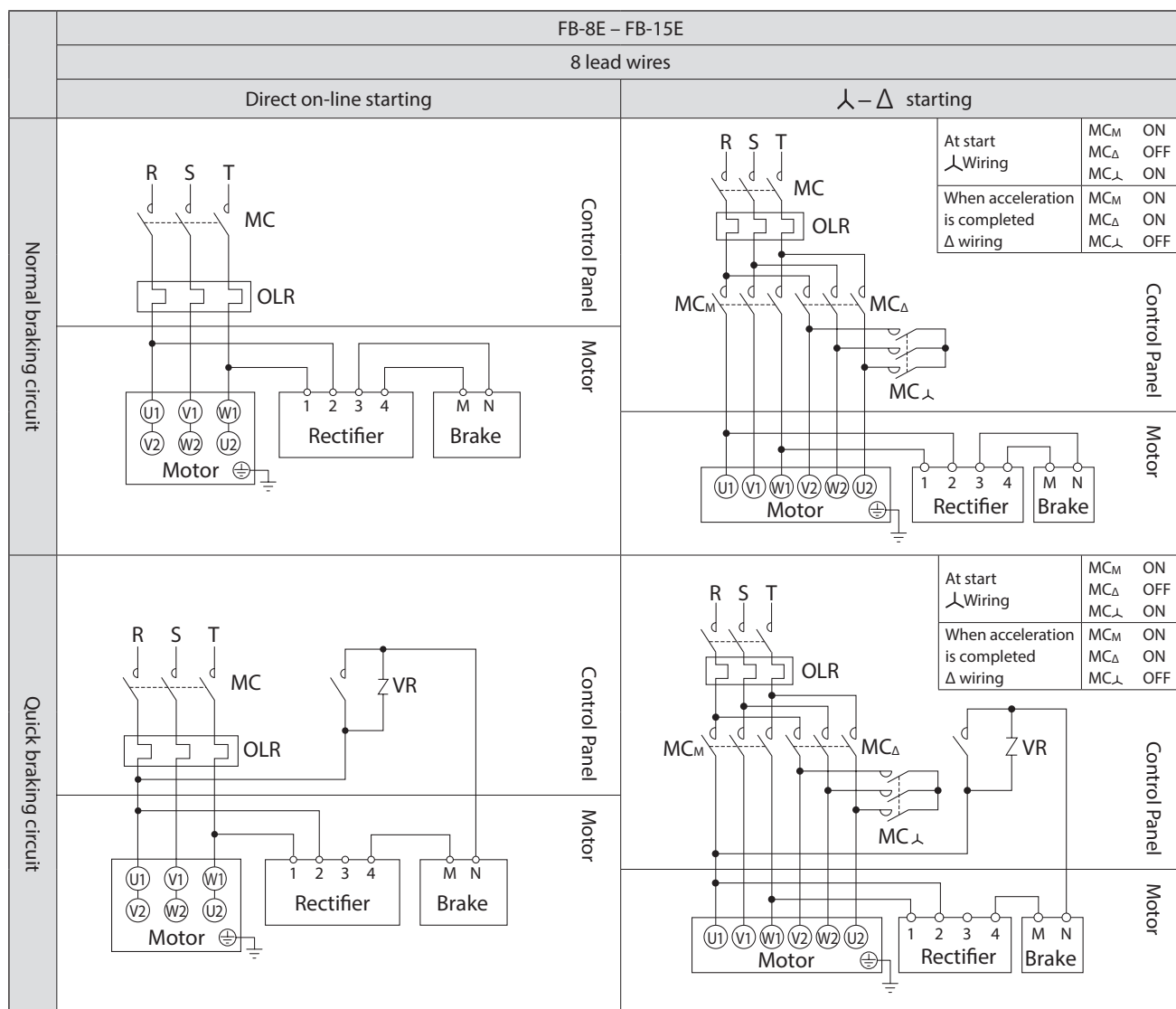
VR: Varistor (for protecting contact points, rectifier, etc.)

} Customer to prepare.

- This diagram shows cases for motors with standard Japanese domestic specifications. Please consult with us for motors with overseas specifications.
- For brake types, see Table 1-6 on P7.
- Brake action delay time is different for normal and quick braking circuits.
Table 7-2 on P35 shows action delay time. Choose the circuit that matches work requirements.
- Use a quick braking circuit to improve hoisting equipment and stopping precision.
- Use a quick braking circuit when a phase-advancing capacitor is mounted.
- For information on electromagnetic contactors and varistors for quick braking circuits, see Table 6-4 on P32.
- For quick braking circuits, gang the brake circuit's electromagnetic contactor to the motor's electromagnetic contactor.

■ With brake. 3-phase power source. Operates rotating in one direction.

Premium-efficiency, 3-phase motor



MC: Electromagnetic contactor

OLR: Overload protection device or electronic thermal relay

VR: Varistor (for protecting contact points, rectifier, etc.)

Customer to prepare.

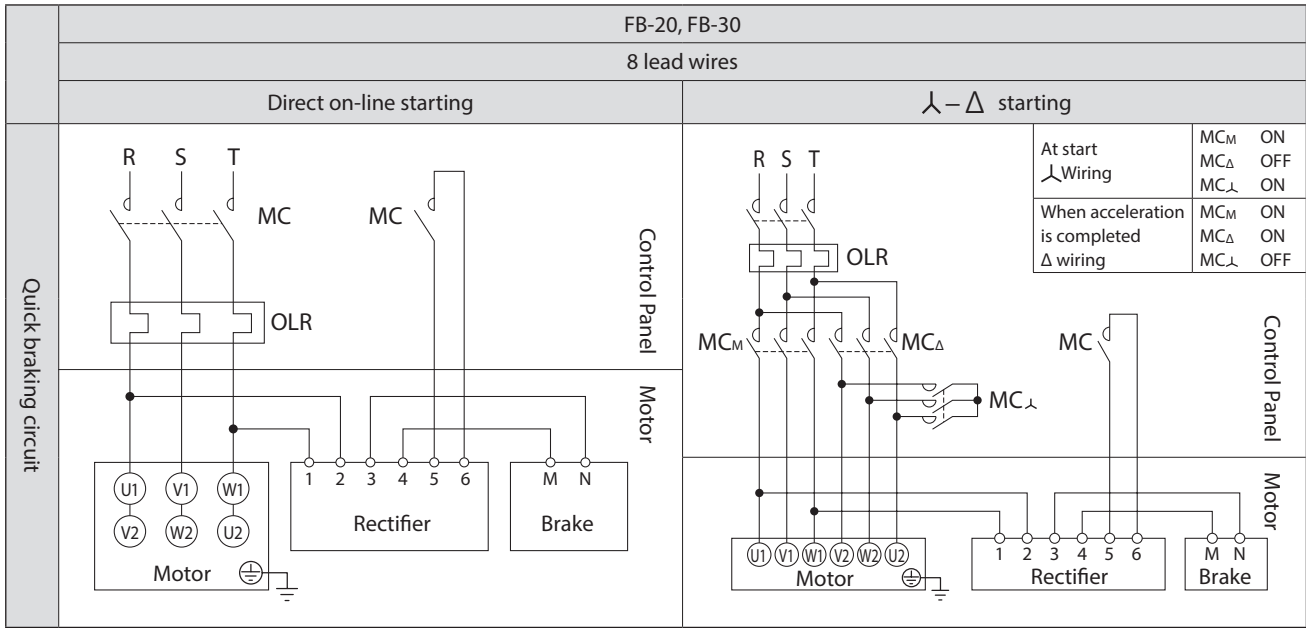
- This diagram shows cases for motors with standard Japanese domestic specifications. Please consult with us for motors with overseas specifications.
- For brake types, see Table 1-6 on P7.
- Brake action delay time is different for normal and quick braking circuits.
Table 7-2 on P35 shows action delay time. Choose the circuit that matches work requirements.
- Use a quick braking circuit to improve hoisting equipment and stopping precision.
- Use a quick braking circuit when a phase-advancing capacitor is mounted.
- For information on electromagnetic contactors and varistors for quick braking circuits, see Table 6-4 on P32.
- For quick braking circuits, gang the brake circuit's electromagnetic contactor to the motor's electromagnetic contactor.



6. Wiring

■ With brake. 3-phase power source. Operates rotating in one direction.

Premium-efficiency, 3-phase motor



MC: Electromagnetic contactor

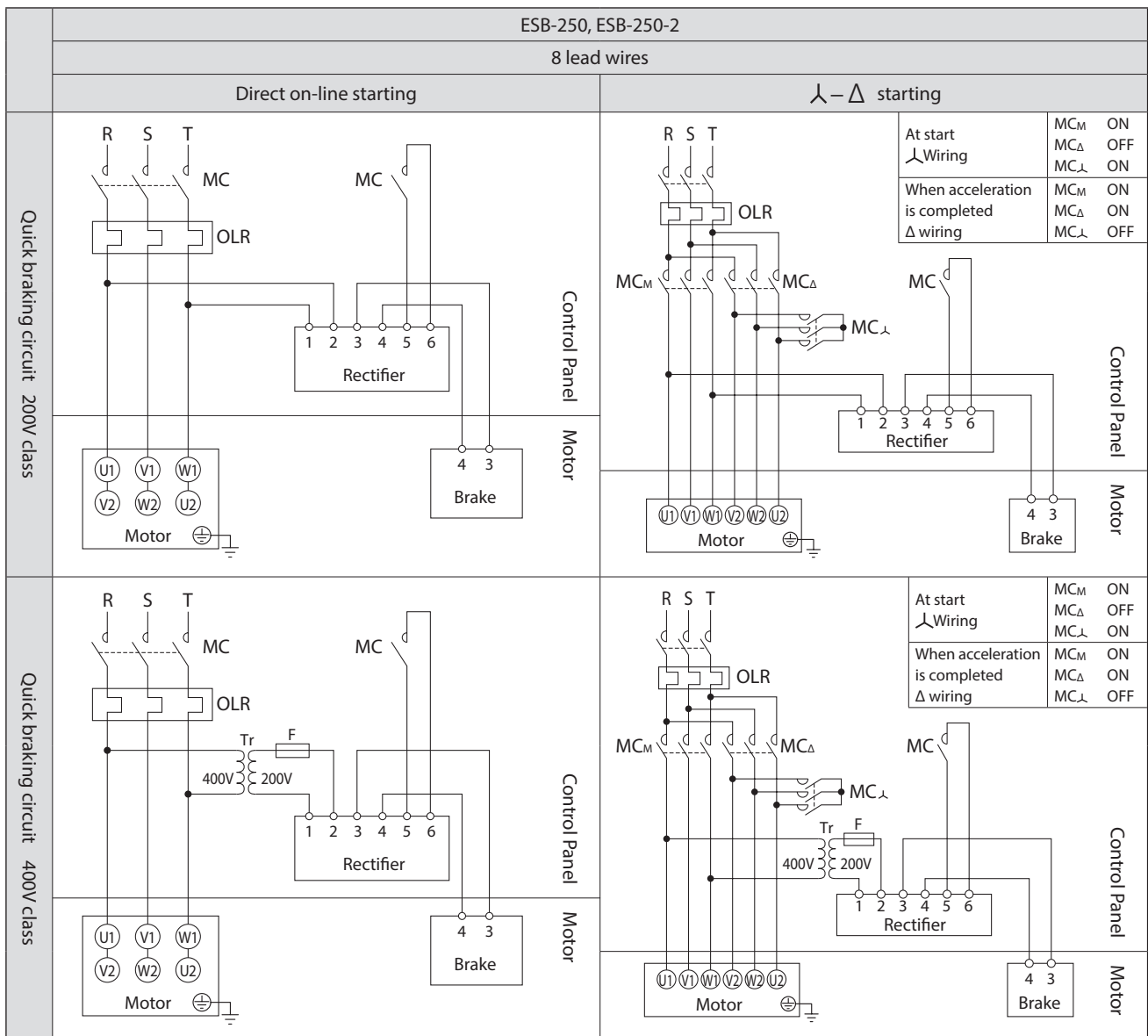
OLR: Overload protection device or electronic thermal relay

} Customer to prepare.

- This diagram shows cases for motors with standard Japanese domestic specifications. Please consult with us for motors with overseas specifications.
- For brake types, see Table 1-6 on P7.
- Use with a quick braking circuit. For information on electromagnetic contactors for quick braking circuits, see Table 6-4 on P32.
- For quick braking circuits, gang the brake circuit's electromagnetic contactor to the motor's electromagnetic contactor.
- Shipped with a short circuit plate connecting rectifier terminals 5 and 6. Remove the short circuit plate when wiring.

■ With brake. 3-phase power source. Operates rotating in one direction.

Premium-efficiency, 3-phase motor



MC: Electromagnetic contactor

OLR: Overload protection device or electronic thermal relay

Tr: Transformer capacity 250–600VA, secondary voltage 200–220V

F: Fuse 3–5A

Customer to prepare.

- This diagram shows cases for motors with standard Japanese domestic specifications. Please consult with us for motors with overseas specifications.
- For brake types, see Table 1-6 on P7.
- Use with a quick braking circuit. For information on electromagnetic contactors for quick braking circuits, see Table 6-4 on P32.
- For quick braking circuits, gang the brake circuit's electromagnetic contactor to the motor's electromagnetic contactor.
- Rectifiers are external to the main unit. Rectifiers are made for indoor use. Install in an area where they will not come into contact with water, etc.
- The brake unit is for 200V class. For 400V class power sources, prepare a 400V/200V transformer.



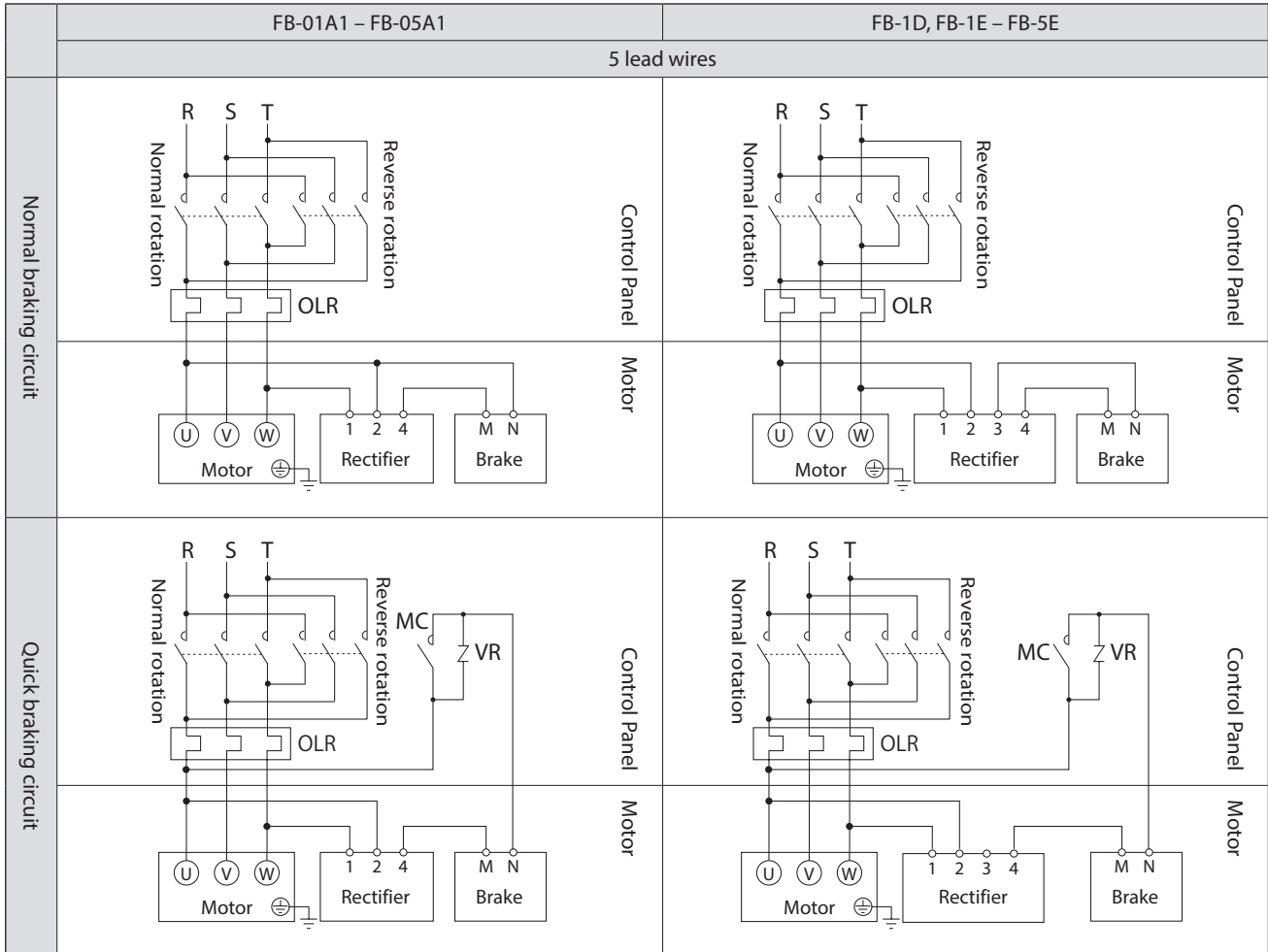
6. Wiring

With Brake. 3-phase motor. Plugging operation

3-phase motor

Premium-efficiency, 3-phase motor

High-efficiency, 3-phase motor



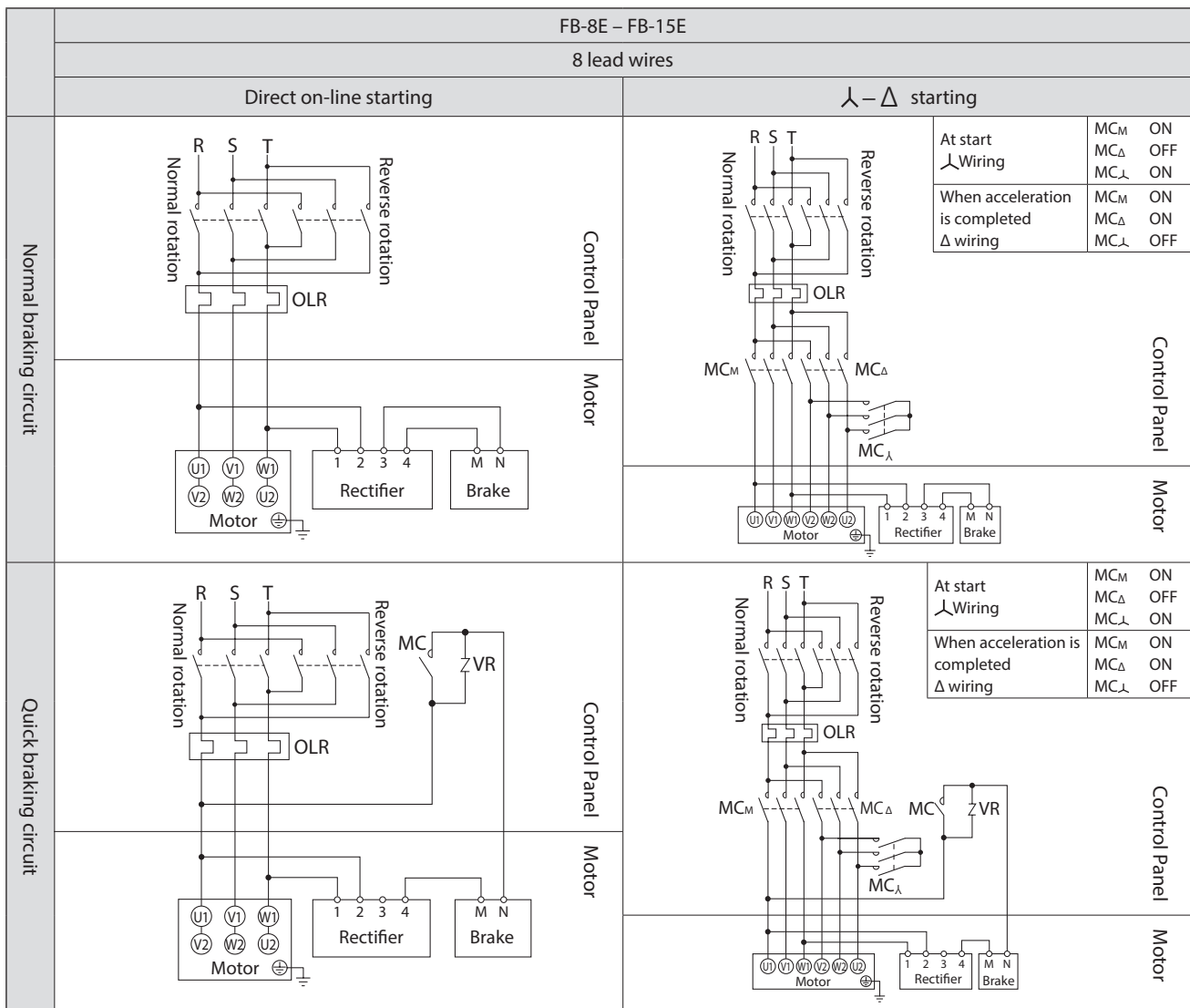
Electromagnetic contactor for normal and reverse rotation
 MC: Electromagnetic contactor
 OLR: Overload protection device or electronic thermal relay
 VR: Varistor (for protecting contact points, rectifier, etc.)

Customer to prepare.

- This diagram shows cases for motors with standard Japanese domestic specifications. Please consult with us for motors with overseas specifications.
- For brake types, see Table 1-6 on P7.
- Brake action delay time is different for normal and quick braking circuits. Table 7-2 on P35 shows action delay time. Choose the circuit that matches work requirements.
- Use a quick braking circuit to improve hoisting equipment and stopping precision.
- Use a quick braking circuit when a phase-advancing capacitor is mounted.
- For information on electromagnetic contactors and varistors for quick braking circuits, see Table 6-4 on P32.
- For plugging operations using a quick-braking circuit, gang the brake circuit's electromagnetic contactors to the motor's normal and reverse rotation electromagnetic contactors.

■ With Brake. 3-phase motor. Plugging operation

Premium-efficiency, 3-phase motor



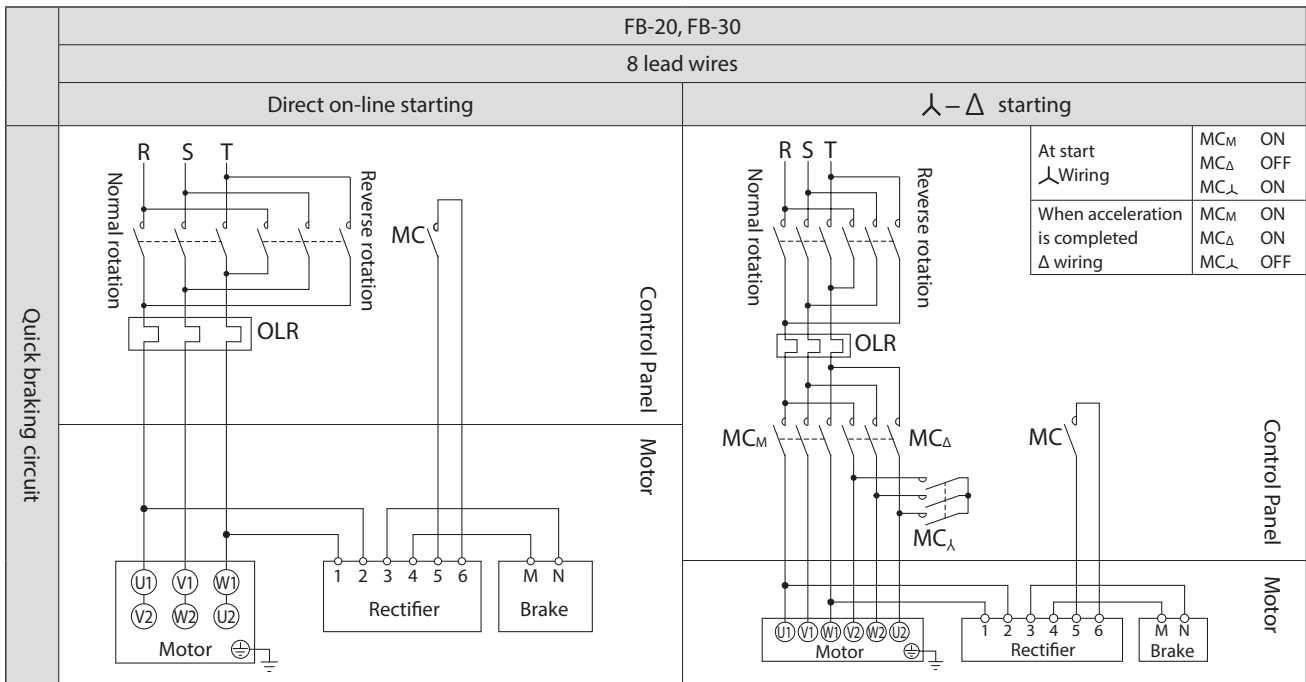
Electromagnetic contactor for normal and reverse rotation
 MC: Electromagnetic contactor
 OLR: Overload protection device or electronic thermal relay
 VR: Varistor (for protecting contact points, rectifier, etc.)

Customer to prepare.

- This diagram shows cases for motors with standard Japanese domestic specifications. Please consult with us for motors with overseas specifications.
- For brake types, see Table 1-6 on P7.
- Brake action delay time is different for normal and quick braking circuits.
 Table 7-2 on P35 shows action delay time. Choose the circuit that matches work requirements.
- Use a quick braking circuit to improve hoisting equipment and stopping precision.
- Use a quick braking circuit when a phase-advancing capacitor is mounted.
- For information on electromagnetic contactors and varistors for quick braking circuits, see Table 6-4 on P32.
- For plugging operations using a quick braking circuit, gang the brake circuit's electromagnetic contactors to the motor's normal and reverse rotation electromagnetic contactors.

■ With Brake. 3-phase motor. Plugging operation

Premium-efficiency, 3-phase motor



Electromagnetic contactor for normal and reverse rotation

MC: Electromagnetic contactor

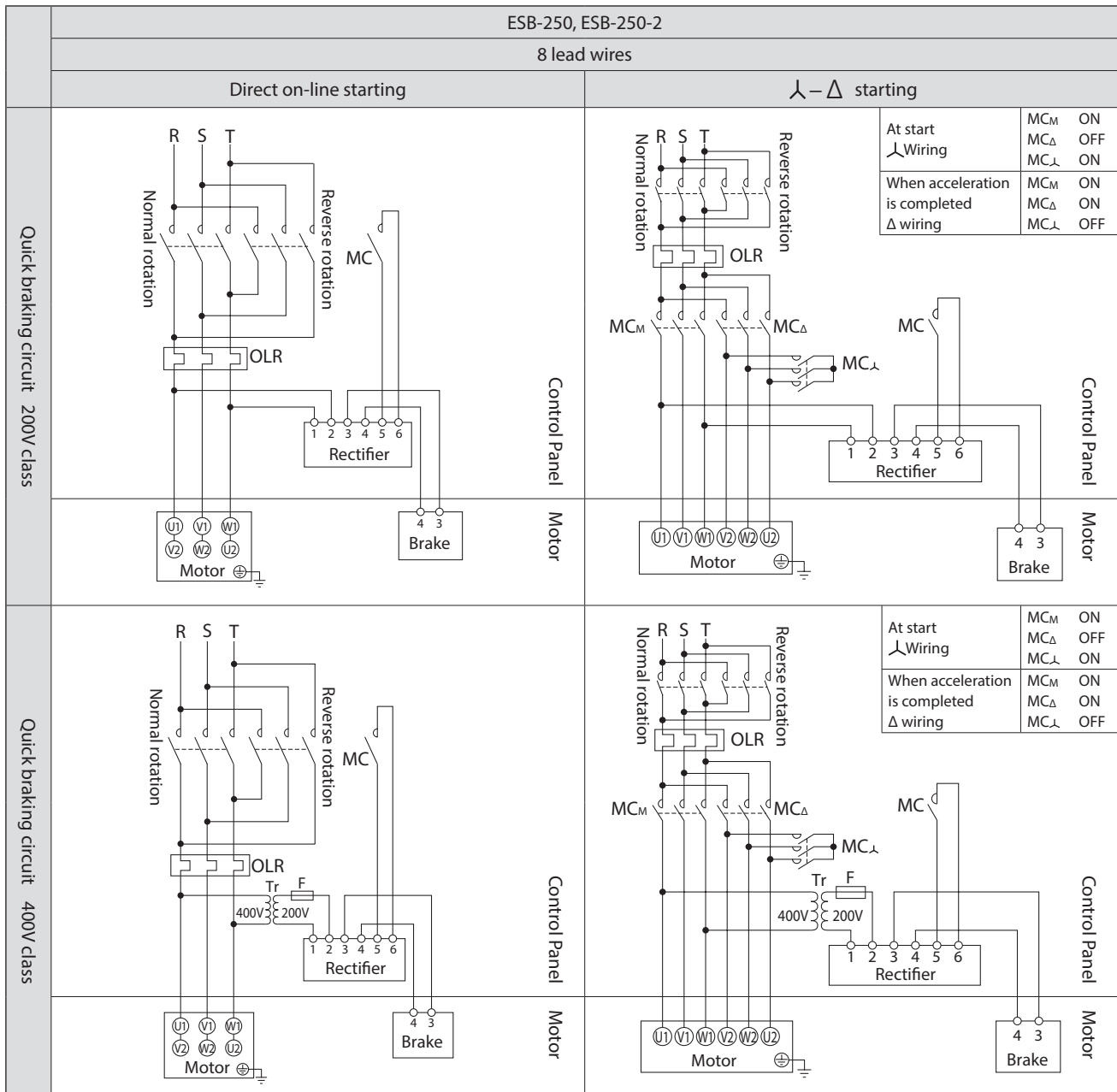
OLR: Overload protection device or electronic thermal relay

Customer to prepare.

- This diagram shows cases for motors with standard Japanese domestic specifications. Please consult with us for motors with overseas specifications.
- For brake types, see Table 1-6 on P7.
- Use with a quick braking circuit. For information on electromagnetic contactors for quick braking circuits, see Table 6-4 on P32.
- Shipped with a short circuit plate connecting rectifier terminals 5 and 6. Remove the short circuit plate when wiring.
- For plugging operations, gang the brake circuit's electromagnetic contactors to the motor's normal and reverse rotation electromagnetic contactors

■ With Brake. 3-phase motor. Plugging operation

Premium-efficiency, 3-phase motor



Electromagnetic contactor for normal and reverse rotation

MC: Electromagnetic contactor

OLR: Overload protection device or electronic thermal relay

Tr: Transformer capacity 250–600VA, secondary voltage 200–220V

F: Fuse 3–5A

Customer to prepare.

- This diagram shows cases for motors with standard Japanese domestic specifications. Please consult with us for motors with overseas specifications.
- For brake types, see Table 1-6 on P7.
- Use with a quick braking circuit. For information on electromagnetic contactors for quick braking circuits, see Table 6-4 on P32.
- Rectifiers are external to the main unit. Rectifiers are made for indoor use. Install in an area where they will not come into contact with water, etc.
- The brake unit is for 200V class. For 400V class power sources, prepare a 400V/200V transformer.
- For plugging operations, gang the brake circuit's electromagnetic contactors to the motor's normal and reverse rotation electromagnetic contactors

■ With brake Inverter drive

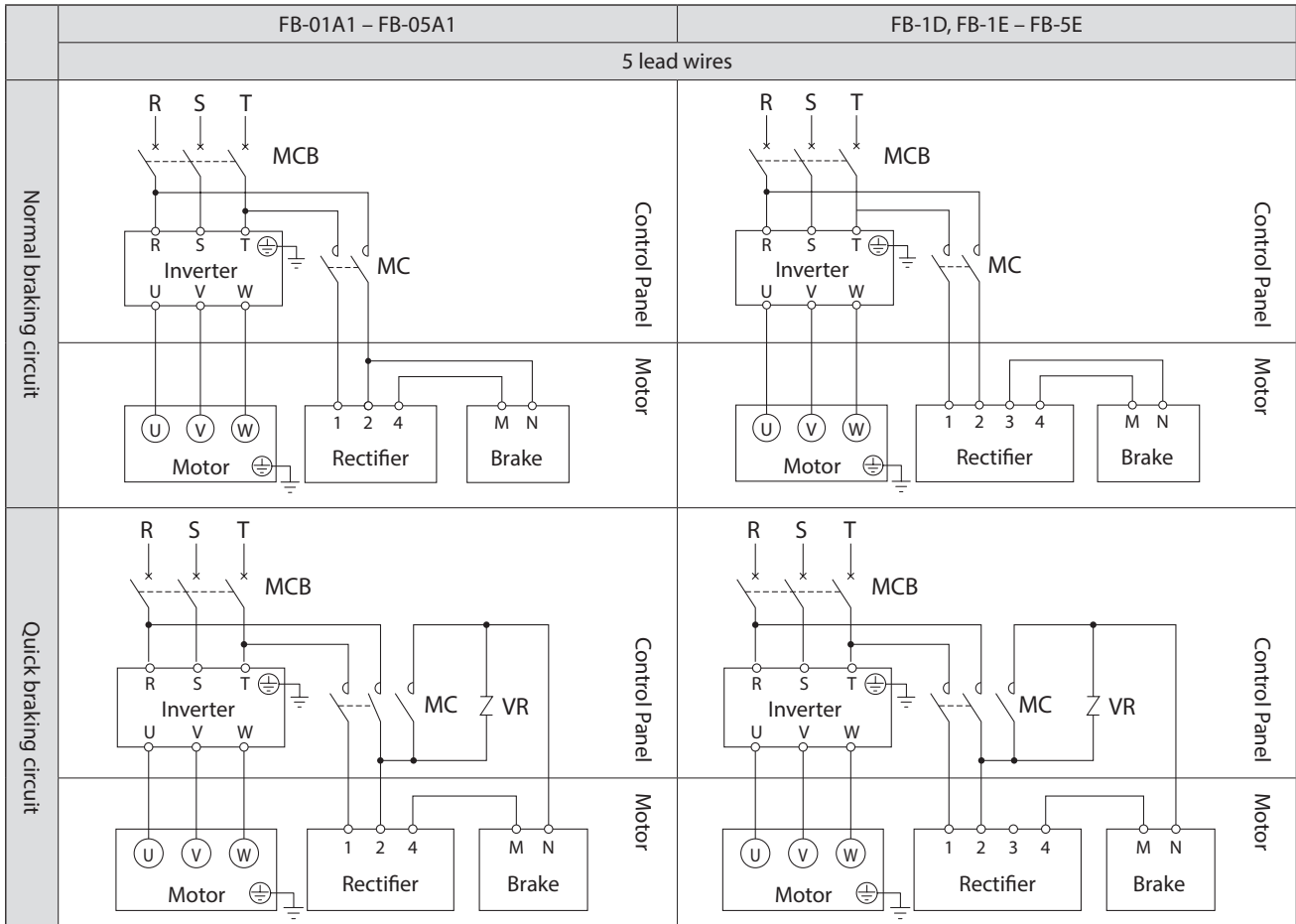
3-phase motor

Premium-efficiency, 3-phase motor

AF motor for inverter

Premium-efficiency, 3-phase motor for inverter

High-efficiency, 3-phase motor



MC: Electromagnetic contactor

MCB: Breaker for wiring

VR: Varistor (for protecting contact points, rectifier, etc.)

Customer to prepare.

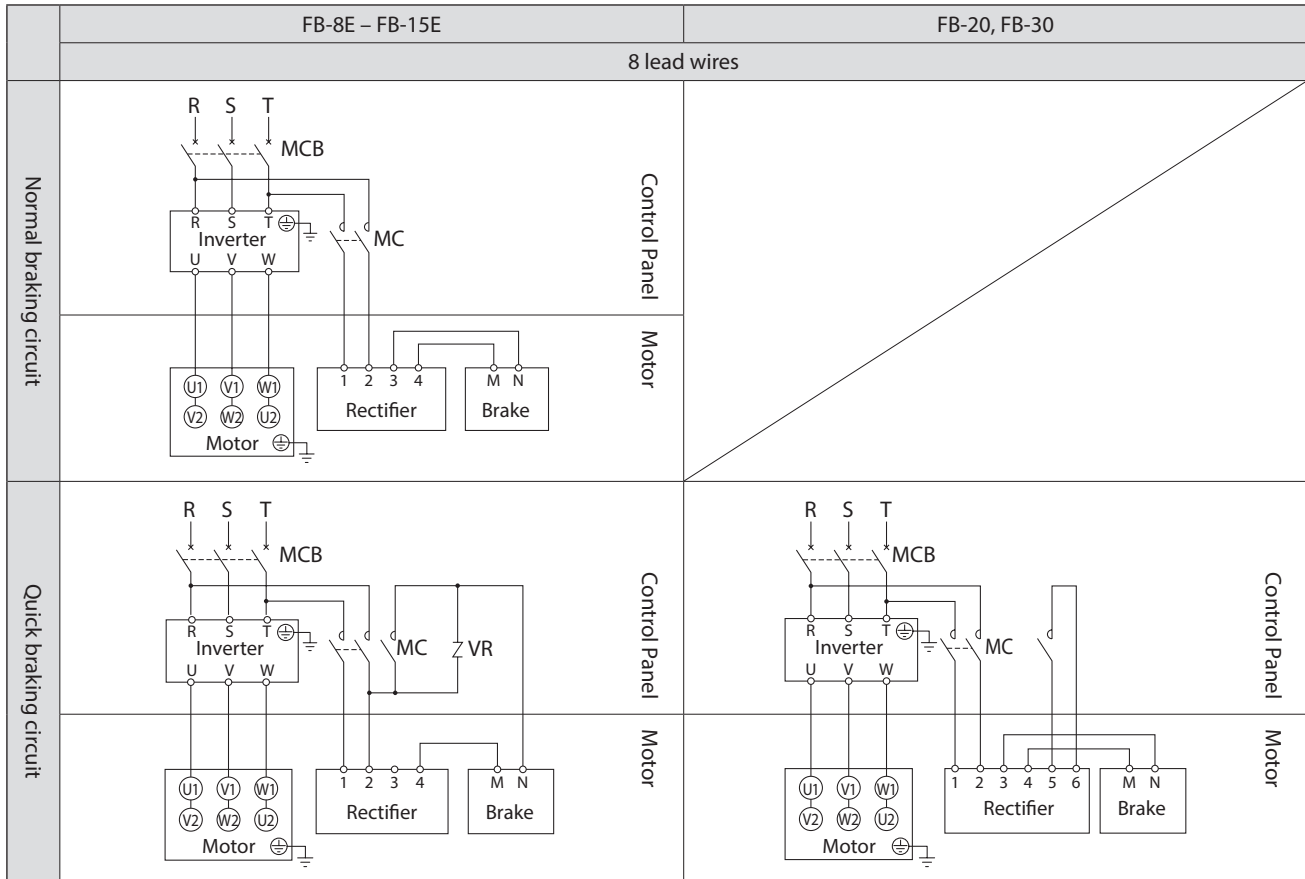
- This diagram shows cases for motors with standard Japanese domestic specifications. Please consult with us for motors with overseas specifications.
- For brake types, see Table 1-6 on P7.
- When inverter-driving a 400V class 3-phase motor or a 400V class high-efficiency, 3-phase motor, measures must be taken with motor insulation.
- Brake action delay time is different for normal and quick braking circuits.
Table 7-2 on P35 shows action delay time. Choose the circuit that matches work requirements.
- Use a quick braking circuit to improve hoisting equipment and stopping precision.
- Use a quick braking circuit when a phase-advancing capacitor is mounted.
- For information on electromagnetic contactors and varistors for quick braking circuits, see Table 6-4 on P32.

- Always use the inverter's power source side for the brake power source.
- Match the opening and closing of the brake circuit's electromagnetic contactor to the timing of the inverter control.

■ With brake Inverter drive

Premium-efficiency, 3-phase motor

Premium-efficiency, 3-phase motor for inverter



MC: Electromagnetic contactor

MCB: Breaker for wiring

VR: Varistor (for protecting contact points, rectifier, etc.)

Customer to prepare.

- This diagram shows cases for motors with standard Japanese domestic specifications. Please consult with us for motors with overseas specifications.
- For brake types, see Table 1-6 on P7.
- Brake action delay time is different for normal and quick braking circuits.
Table 7-2 on P35 shows action delay time. Choose the circuit that matches work requirements.
- Use a quick braking circuit to improve hoisting equipment and stopping precision.
- Use a quick braking circuit when a phase-advancing capacitor is mounted.
- For information on electromagnetic contactors and varistors for quick braking circuits, see Table 6-4 on P32.

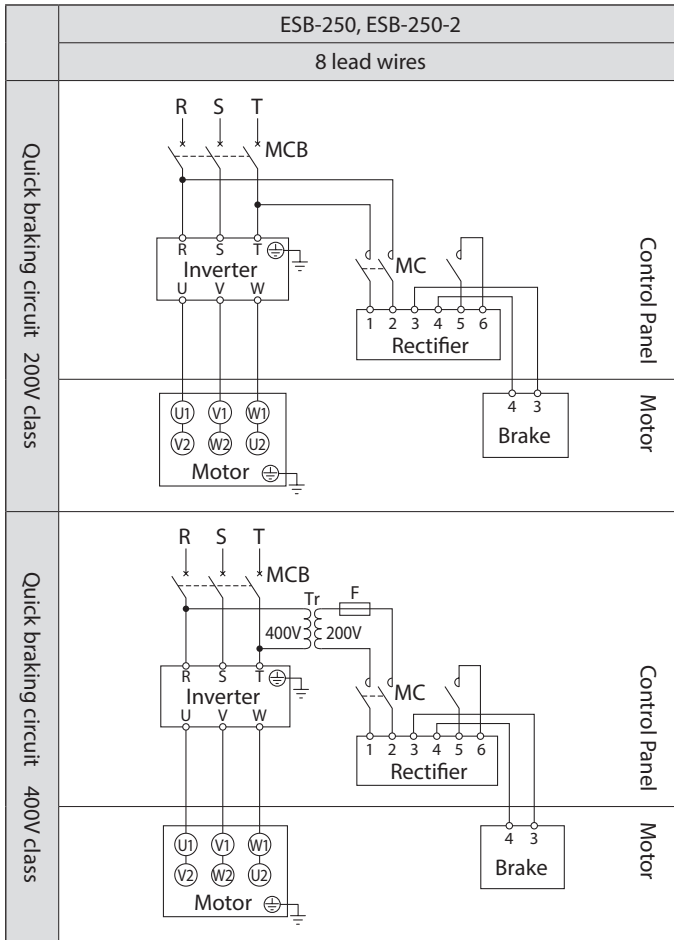
- Use FB-20, FB-30 with quick braking circuits.
- FB-20, FB-30 are shipped with a short circuit plate connecting terminals 5 and 6. Remove the short circuit plate when wiring.

- Always use the inverter's power source side for the brake power source.
- Match the opening and closing of the brake circuit's electromagnetic contactor to the timing of the inverter control.

■ With brake Inverter drive

Premium-efficiency, 3-phase motor

Premium-efficiency, 3-phase motor for inverter



MC: Electromagnetic contactor

MCB: Breaker for wiring

Tr: Transformer capacity 250–600VA, secondary voltage 200–220V

F: Fuse 3–5A

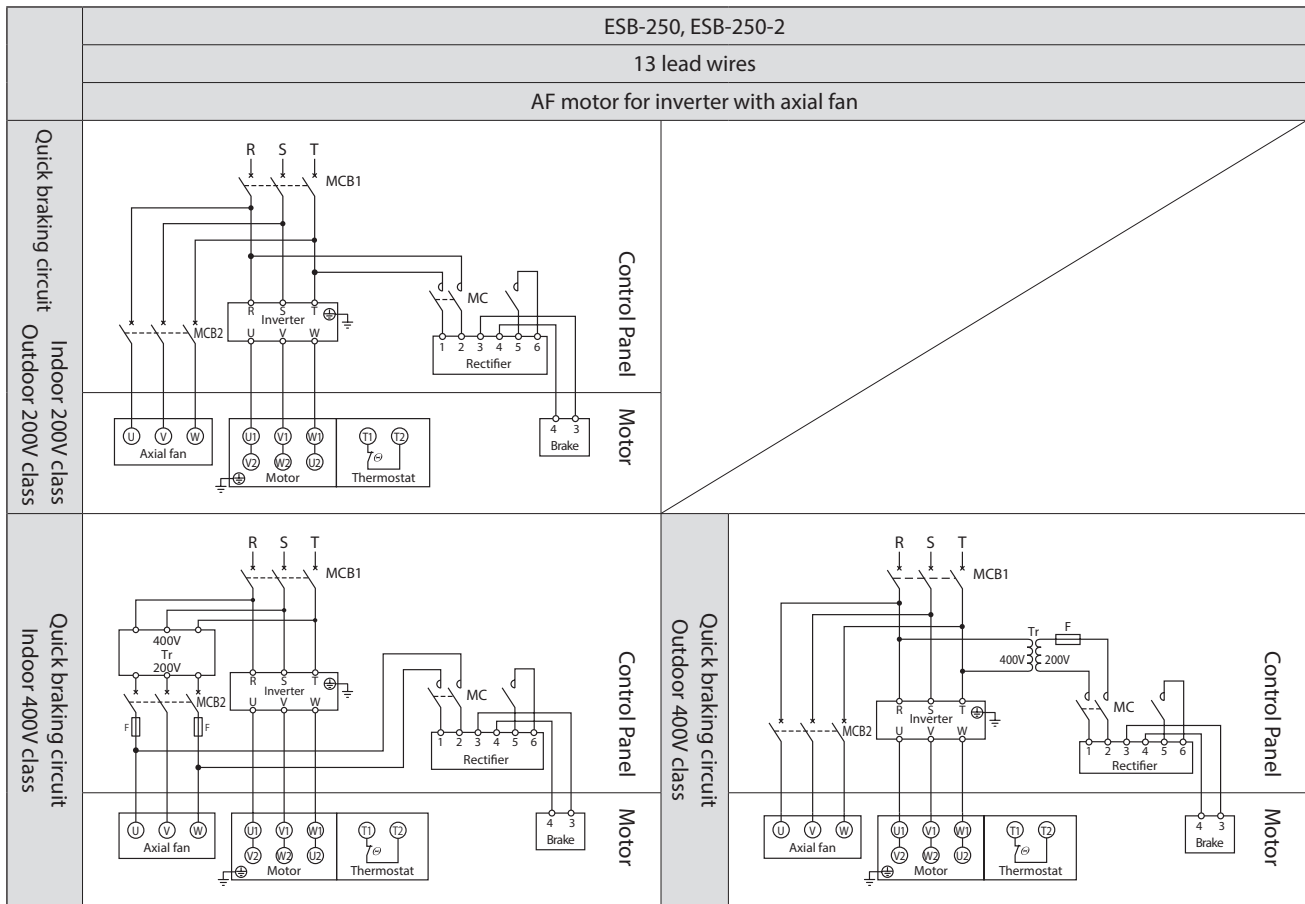
Customer to prepare.

- This diagram shows cases for motors with standard Japanese domestic specifications. Please consult with us for motors with overseas specifications.
- For brake types, see Table 1-6 on P7.
- Use with a quick braking circuit. For information on electromagnetic contactors for quick braking circuits, see Table 6-4 on P32.
- Rectifiers are external to the main unit. Rectifiers are made for indoor use. Install in an area where they will not come into contact with water, etc.
- The brake unit is for 200V class. For 400V class power sources, prepare a 400V/200V transformer.

- Always use the inverter's power source side for the brake power source.
- Match the opening and closing of the brake circuit's electromagnetic contactor to the timing of the inverter control.

With brake Inverter drive

AF motor for inverter



MC: Electromagnetic contactor

MCB: Breaker for wiring

Tr: Transformer capacity 250–600VA, secondary voltage 200–220V

F: Fuse 3–5A

Customer to prepare.

- This diagram shows cases for motors with standard Japanese domestic specifications. Please consult with us for motors with overseas specifications.
- For brake types, see Table 1-6 on P7.
- Use with a quick braking circuit. For information on electromagnetic contactors for quick braking circuits, see Table 6-4 on P32.
- Rectifiers are external to the main unit. Rectifiers are made for indoor use. Install in an area where they will not come into contact with water, etc.
- The brake unit is for 200V class. For 400V class power sources, prepare a 400V/200V transformer.

- Always use the inverter's power source side for the brake power source.
- Match the opening and closing of the brake circuit's electromagnetic contactor to the timing of the inverter control.

In the case of **With axial fan (totally enclosed, ventilated types)**, note the following items.

- Also connect a power source to the axial fan.
- For an indoor 400V class, the axial fan power source voltage will be 200V class.
- For special specifications, specifications may differ from the above. Check the manufacturing specifications.
- Connect the fan so that it rotates in the same direction as that shown on the nameplate for direction of rotation.
(Normally, the air from the fan will blow in a direction from the anti-load side to the load side.)
- When the motor is shut down for a long period, also shut down the axial fan motor.
- Wire the mounted thermostat.
- Thermostat specification: Terminal symbols: T1, T2 and P1, P2
Operating temperature: 135°C (for thermal class 155 (F))
- Operating function: Normal close (b contact point)
Maximum current: DC 24V, 18A; AC 230V, 13A

6-6 Points to Note When Using a Quick Braking Circuit

When using brakes with quick braking circuits, take note of the following items.

- Connect a varistor (protection element) to protect the quick braking circuit contact points from surge voltage generated by the brake action.
- Wire the quick braking circuit contact points to the brake power source secondary side contact points. Contact points might not be protected.
- For information on using an alternating current electromagnetic contactor for contact points for quick braking circuits, see Table 6-4.

If multiple contact points are required, note the following issues.

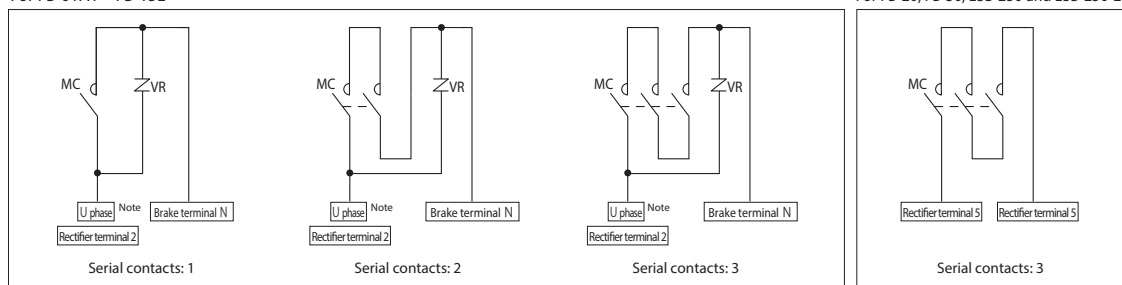
- Connect electromagnetic contactor contact points in serial. (See figure 6-3)
- Connect the varistor (VR) as close to the unit as possible. (See figure 6-3)

Table 6-4 Nomenclature for parts recommended when using a quick braking circuit (when using an alternating current electromagnetic contactor).

AC voltage	Brakes	Recommended contactor nomenclature				Recommended contactor Contact point capacity (DC-13 class)	Recommended varistor (for protecting contactor contact points)									
		Made by Fuji Electric FA Components & Systems Co., Ltd.		Made by Mitsubishi Electric Corporation			Varistor nomenclature	Maximum allowable circuit voltage	Varistor voltage	Power rating						
200V 220V	FB-01A1	SC-05	Serial contact points: 1 (0.7A)	S-N11 or S-N12	Serial contact points: 1 (1.2A)	DC 110V	Minimum 0.4A	TND07V-471KB00AAA0	AC300V	470V (423- 517V)	0.25 W					
	Minimum 0.5A															
	Minimum 0.7A						TND10V-471KB00AAA0					0.4 W				
	Minimum 1.5A						TND14V-471KB00AAA0	0.6 W								
	Minimum 3.0A															
	Minimum 5.5A	TND20V-471KB00AAA0	1.0 W													
	Minimum 4.5A															
	400V 440V	FB-01A1	SC-05	Serial contact points: 1 (0.25A)	S-N11 or S-N12		Serial contact points: 2 (0.5A)	Minimum 0.2A			TND10V-821KB00AAA0	AC510V	820V (738- 902V)	0.4 W		
		FB-02A1	SC-05	Serial contact points: 2 (0.4A)												
		FB-05A1	SC-05	Serial contact points: 3 (2.0A)	S-N11 or S-N12		Serial contact points: 3 (2.0A)	Minimum 0.5A			TND14V-821KB00AAA0			0.6 W		
		FB-1D						S-N18			Serial contact points: 3 (2.0A)			Minimum 1.0A	TND20V-821KB00AAA0	1.0 W
		FB-1E														
		FB-1HE														
		FB-2E														
FB-3E																
FB-4E																
FB-5E		S-N20 or S-N21				Serial contact points: 3 (4.0A)		Minimum 1.5A								
FB-8E			Minimum 3.0A													
FB-10E			Minimum 2.5A													
FB-15E																
FB-20																
FB-30																

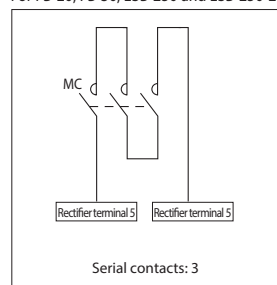
- This recommended contactor nomenclature is for Fuji Electric FA Components & Systems Co., Ltd. and Mitsubishi Electric Corporation contactors. Products from other manufacturers are also allowable if they have equivalent capabilities.
- Recommended contactor contact point capacity indicates the case where durability regarding electronic opening and closing (service life) is approximately 2 million times (for FB-30, ESB-250 and ESB-250-2, approximately 1 million times).
- Of the recommended contactors, the Mitsubishi Electric Corporation S-N11 has one auxiliary contact point; the S-N18 has none. This applies if, for inverter drive or other reasons, two or more auxiliary contact points are required. (Other connectors in Table 6-4 have two or more auxiliary contact points.)
- This recommended varistor nomenclature is for Nippon Chemi-Con Corporation varistors. Products from other manufacturers are also allowable if they have equivalent capabilities.
- In the FB-20, FB-30, ESB-250 and ESB-250-2, a varistor for protecting the connector contact points is built in to the rectifier.

Figure 6-3 Examples of contact point connections with quick braking circuits
For FB-01A1 – FB-15E



Note : For inverter drives, connect to the R phase (power source side).

For FB-20, FB-30, ESB-250 and ESB-250-2





6-7 Wiring for Motorized Trochoid Pump Motor

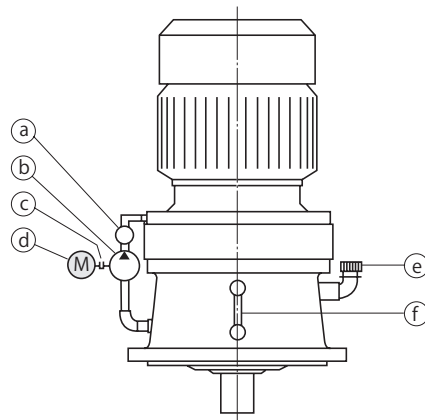
⚠ CAUTION

- When lubricating with a motorized trochoid pump, always prime before starting the main motor. Abnormal temperature rise, seizure, and other device damage may occur.

- (1) **Vertical frame sizes 6275, 6275DA** Use a trochoid pump for independent lubrication. The pump requires a separate power source. (See Table 6-5, figure 6-4)
- (2) For motorized trochoid pump wiring, see figure 6-5. Wire R-U, S-V, T-W. The pump motor rotates in the specified direction. (For Japanese domestic standard specifications. Consult with us for special specification, such as overseas specifications and motors not manufactured by Sumitomo.)
- (3) Between the motor for the motorized trochoid pump and main motor, fit with interlock that satisfies the following two functions. (See figure 6-5)
 - [1] Start time: If the motorized trochoid pump does not activate, do not activate the main motor.
 - [2] While running: If for any reason the motorized trochoid pump stops, stop the main motor.
- (4) To ensure good lubricating conditions, start (prime) the motorized trochoid pump at least 30 seconds before the main motor.

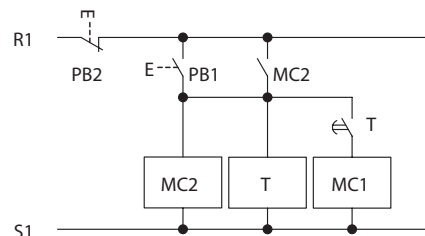
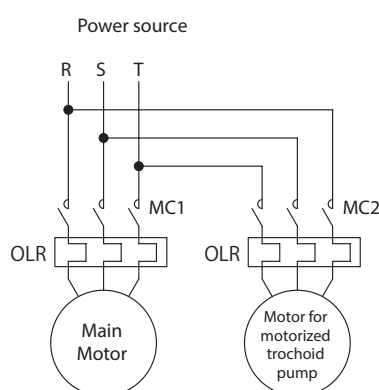
Table 6-5 Motorized Trochoid Pump Specifications

Type		Motorized trochoid pump						Remarks	
Frame size	Reduction ratio	Pump nomenclature	Pump motor	50 Hz region		60 Hz region			
				Discharge volume (L/min)	Maximum pressure (MPa)	Discharge volume (L/min)	Maximum pressure (MPa)		
Vertical	6275	Total reduction ratio	TOP-216HB-VB-3	0.75kW 4P	24.0	0.78	28.8	0.49	(1) Motorized trochoid pumps manufactured by Nippon Oil Pump Co., Ltd. are used as standard equipment. (2) The motorized trochoid pump comes standard with a release valve (set pressure 0.29 MPa).
	6275DA	Total reduction ratio	TOP-204HB-VB-3	0.4kW 4P	6.0	1.57	7.2	1.13	



a	Flow sight
b	Motorized trochoid pump
c	Coupling
d	Motor (for trochoid pump)
e	Filler plug
f	Oil gauge

Figure 6-4 Structural diagram of machine with motorized trochoid pump



- MC1: Electromagnetic contactor (Main motor)
 MC2: Electromagnetic contactor (Motor for motorized trochoid pump)
 PB1: Push button switch (Start)
 PB2: Push button switch (Stop)
 T: Timer (30 or more seconds)

Figure 6-5 Motorized trochoid pump circuit diagram



7. Operation

DANGER

- Do not approach or touch rotating parts (slow speed shaft, etc.) during operation; otherwise loose clothing may become caught in these rotating parts and cause serious injury or death.
- When the power supply is interrupted, be sure to turn off the power switch. Restoration of power may cause electric shock, personal injury, or damage to the equipment.
- Do not operate the unit with the terminal box cover removed. Return the terminal box cover to the original position after maintenance, in order to prevent electric shock.
- Do not operate the machine while the brake is released by the manual brake release bolt; otherwise, falling, going out of control, or damage to the equipment may result.

CAUTION

- Do not put fingers or foreign objects into the opening of the products; otherwise, electric shock, injury, fire, or damage to the equipment may result.
- The products becomes very hot during operation. Touching the unit may result in burns.
- Do not loosen the oil filler plug during operation; otherwise, hot, splashing lubricant may cause burns.
- If any abnormality occurs during operation, stop operation immediately; otherwise, electric shock, personal injury, or fire may result.
- Do not operate the unit in excess of the load rating; otherwise, personal injury, or damage to the equipment may result.

7-1 Items to Check Before Operation

After installation and wiring are completed, check the following items before operating.

- Is the wiring correct?
- Is the unit properly coupled with the driven machine?
- Are mounting bolts tightened firmly?
- Is the direction of rotation as required?
- Does the oil level in an oil-lubricated model reach the top red line of the oil gauge when the unit is at rest?

After confirming these items, operate without a load and gradually apply a load. Check the items shown in Table 7-1.

7-2 Items to Check During Operation

Table 7-1 Items to Check During Operation

Is abnormal sound or vibration generated?	<ul style="list-style-type: none"> - Is the housing deformed because the installation surface is not flat? - Is insufficient rigidity of the installation base generating resonance? - Is the shaft center aligned with the driven machine? - Is the vibration of the driven machine transmitted to the gearmotor or reducer?
Is the surface temperature abnormally high?	<ul style="list-style-type: none"> - Is the voltage rise or drop substantial? - Is the ambient temperature too high? - Does the current flowing to the gearmotor exceed the rated current shown on the nameplate?
Is the oil signal active? (When the lubrication is of the plunger pump type.)	<ul style="list-style-type: none"> - If the balls in the oil signal are not moving up or down, there may be a lubrication problem.

If any abnormalities are found, immediately stop operation and contact the nearest authorized service station.

7-3 Brake Torque and Activation Delay Time

The table below shows standard specification brake types, their brake torque, and their relationship to brake activation delay time.

Table 7-2 Brake Torque and Activation Delay Time

Brake type	Motor capacity (kW)								Brake Activation Delay Time (s)		
	3-phase motor	Premium efficiency, 3-phase motor		AF motor for inverter		Premium-efficiency, 3-phase motor for inverter	High-efficiency, 3-phase motor	Brake torque (Dynamic friction torque) (N·m)	Normal braking circuit (Simultaneous turn-off circuit)	Normal braking circuit for inverter (Simultaneous turn-off circuit)	Quick braking circuit
		4P	4P	6P	4P	6P	4P				
FB-01A1	0.1	—	—	—	—	—	—	1.0	0.15 – 0.2	0.08 – 0.12	0.015 – 0.02
FB-02A1	0.2 0.25	—	—	0.1	—	—	—	2.0			
FB-05A1	0.4	—	—	0.2	—	—	0.2	4.0	0.1 – 0.15	0.03 – 0.07	0.01 – 0.015
FB-1D	0.55	—	—	0.4	—	—	0.4	7.5	0.2 – 0.3	0.1 – 0.15	0.01 – 0.02
FB-1E	—	0.75	—	—	—	0.75	—	7.5	0.25 – 0.45	0.15 – 0.25	0.01 – 0.03
FB-1HE	—	1.1	—	—	—	—	—	11	0.45 – 0.65	0.25 – 0.35	
FB-2E	—	1.5	—	—	—	1.5	—	15	0.35 – 0.55	0.15 – 0.25	
FB-3E	—	2.2	—	—	—	2.2	—	22	0.75 – 0.95	0.4 – 0.5	0.02 – 0.04
FB-4E	—	3.0	—	—	—	—	—	30	0.65 – 0.85	0.3 – 0.4	
FB-5E	—	3.7	—	—	—	3.7	—	40	1.1 – 1.3	0.4 – 0.5	
FB-8E	—	5.5	—	—	—	5.5	—	55	1.0 – 1.2	0.3 – 0.4	
FB-10E	—	7.5	—	—	—	7.5	—	80	1.8 – 2.0	0.6 – 0.7	
FB-15E	—	11	—	—	—	11	—	110	1.6 – 1.8	0.5 – 0.6	
FB-20	—	15	—	—	—	15	—	150	—	—	
FB-30	—	—	15	—	—	—	—	220	—	—	0.03 – 0.11
	—	18.5	18.5	—	—	18.5	—	190			
	—	22	22	—	—	22	—	220			
	—	30	—	—	—	30	—	200			
ESB-250 (Horizontal)	—	—	—	30	18.5	—	—	Horizontal 212 Vertical 195	—	—	0.065
	—	37	—	37	22	37	—	Horizontal 266 Vertical 244			
ESB-250-2 (Vertical)	—	45	30	—	30	45	—	Horizontal 320 Vertical 292			
	—	—	37	—	—	—	—	Horizontal 372 Vertical 390			

Note: 1. Brake type may differ depending on specification. Check the nameplate.

2. Brake torque will change according to operating environment, operating conditions, the condition of the friction surface, etc. In particular, brake torque may not be at the prescribed level for initial operation, and after a long period of inactivity. In such a case turn the brake on and off under as light load as possible to contact the brake's friction surfaces.

3. Brake activation delay time will change according to the brake's wiring circuit. Select the optimum circuit for the application.

⚠ DANGER

- Do not handle the unit when cables are live. Be sure to turn off the power when operating on the unit; otherwise, electric shock may result.
- Do not approach or touch any rotating parts (slow speed shaft, etc.) during run-time maintenance or inspection of the unit; loose clothing may become caught in these rotating parts and cause serious injury or death.
- Customers must not disassemble or modify **For explosion proof motors**; otherwise, explosion, ignition, electric shock, or damage to the equipment may result.
- The lead-in condition of an **For explosion proof motors**, shall conform to the facilities electrical codes, extension regulations, and explosion-proofing guide, as well as the maintenance manual; Additionally, do not open the terminal box cover while operating. otherwise, explosion, ignition, electric shock, or damage to the equipment may result.
- Do not operate the machine while the brake is released by the manual brake release bolt; otherwise, falling, going out of control, or damage to the equipment may result.


⚠ CAUTION

- Do not put fingers or foreign objects into the opening of the products; otherwise, electric shock, injury, fire, or damage to the equipment may result.
- The products becomes very hot during operation. Touching the unit with bare hands may result in serious burns.
- Do not touch the terminals when measuring insulation resistance; otherwise, electric shock may result.
- Do not operate the unit without a safety cover (removed during inspection) in place to shield rotating parts; otherwise loose clothing may become caught in these rotating parts and cause serious injury or death.
- Promptly identify and correct, according to instructions in this maintenance manual, any abnormalities observed during operation. Do not operate until the cause for the abnormality is understood, and the abnormality is corrected.
- Change lubricant according to the maintenance manual instructions. Be sure to use factory recommended lubricant.
- Only install, move, or transport oil-lubricated models with lubricating oil removed. Moving with lubricating oil in the machine may cause oil to escape from the air vent, etc.
- Do not change lubricant during operation or immediately after stopping operation; otherwise, burns may result.
- Supply/discharge grease to/from the motor bearing according to the maintenance manual instructions. Avoid contact with rotating parts; otherwise, injury may result.
- Do not operate damaged gearmotors or reducers; otherwise, injury, fire, or damage to the equipment may result.
- We cannot assume any responsibility for damage or injury resulting from an unauthorized modification by a customer, as it is outside the scope of the warranty.
- Dispose of products lubricant as general industrial waste.
- When measuring the insulation resistance of an **For explosion proof motors**, confirm that there is no gas or other vaporized explosive substance around the unit in order to prevent explosion or ignition.
- Changing brake linings requires experience. Consult with the nearest authorized service station.
- Brake torque will change with operation environment and conditions, the condition of the friction surface, and other factors. In particular, brake torque may not be at the prescribed level for initial operation, and after a long period of inactivity. In such a case turn the brake on and off under as light load as possible to contact the brake's friction surfaces.

8-1. Daily Inspection

Make certain to carry out daily inspections in accordance with Table 8-1. Neglecting inspections is a source of trouble.

Table 8-1 Daily Inspection

Inspection item		Inspection detail
Current value		Is the current no greater than the rated value shown on the nameplate?
Noise		Are there unusual noises, or are there extreme changes in the noises?
Vibration		Is there abnormally large vibration? Are there extreme changes?
Surface temperature		Is surface temperature unusually high? Has there been a sudden rise? (Temperature rises during operation will differ according to model and type. However the difference between the gear unit surface temperature and the environment temperature should be approximately 60°C. (For Frame size 6060 – 6125, and SK series approximately 40°C) In this case, there is no particular problem if fluctuation is slight.
Oil level	At rest	Is the oil level below the red line at the top of the oil gauge when the machine is at rest? If when at rest the oil level is below the top red mark, fill up to the mark with lubricating oil. Do no add while the machine is running.
	While running	Is the oil level significantly different than the level during stable operation? The bottom red mark is an auxiliary mark serving as a guideline to check oil level while the machine is running.
	Trochoid pump type	Are the oil signal and flow gauge working properly? Their no working properly is a sign of improper reducer lubrication, due to factors including insufficient oil, pump damage and plugged pipes. Immediately stop the machine and inspect.
Lubricant contamination		Is the lubricating oil contaminated? To check for oil contamination, in addition to extracting oil while the machine it stopped, it is also possible to check using the oil gauge. If the oil gauge is contaminated, promptly change it.
Oil, grease leaks		Are oil or grease leaking from the gear unit? Are the oil seal sliding surfaces corroded?
Mounting bolts		Are the mounting bolts loose?
Chain, V-belt		Are the chain or V-belt loose?

- If any abnormality is discovered during the daily inspection, take measures in accordance with “9. Troubleshooting” (P72, 73). If these actions do not remedy the issue, immediately contact the nearest authorized service station.

8-2 Confirmation of Lubrication Method

Please look for the relevant items and make certain to do maintenance. Neglecting maintenance is a source of trouble.

- Check Table 8-2 for the lubrication method employed by the gear unit of the model used.
- Table 8-3 lists pages that can be referenced regarding lubrication maintenance.

Table 8-2 Standard Lubrication Methods for Gear Units by Type (When driven at standard input speed)

SK series	Frame size	607□SK	608□SK	609□SK	610□SK	611□SK																	
	Horizontal	Long-life grease																					
	Vertical	Long-life grease																					
Low reduction ratio series	Frame size	613□	614□	616□	617□																		
	Horizontal	Oil Bath																					
	Vertical	Oil Bath																					
Single Reduction	Frame size	606□	607□	608□	609□	610□	611□	612□	613□	614□	616□	617□	618□	619□	6205	6215	6225	6235	6245	6255	6265	6275	
	Horizontal	Long-life grease							Oil Bath														
	Vertical	Long-life grease							Oil Bath	Plunger pump (force-feed lubrication)													
Double Reduction	Frame size	606□DA	607□DA	609□DA	610□DA	612□DA	612□DB	613□DA	613□DB	613□DC	614□DA	614□DB	614□DC	616□DA	616□DB	617□DA	617□DB	618□DA					
	Horizontal	Long-life grease							Grease														
	Vertical	Long-life grease							Grease														
	Frame size	616□DC	617□DC	618□DB	619□DA	619□DB	6205DA	6205DB	6215DA	6215DB	6225DA	6225DB	6235DA	6235DB	6245DA	6245DB	6255DA	6255DB	6265DA	6275DA			
	Horizontal	Oil Bath																					
	Vertical	Reduction ratio	- 473	- 841	- 1015	- 2065	- 1849	- 2537															
Triple Reduction	Frame size	606□TA	607□TA	609□TA	610□TA	612□TA	612□TB	Frame sizes not listed to the left															
	Horizontal	Long-life grease							Grease														
	Vertical	Long-life grease							Grease														

- Note: 1. Indicates universal mounting direction.
 2. Indicates independent lubrication using a trochoid pump. See "6-7 Wiring for Motorized Trochoid Pump Motor" (P33)
 3. The symbol □ in frame size can be "0", "5" or "H".
 4. For underlined frame sizes, the horizontal chain flight sludge collector specification is set to oil lubrication.
 5. If input speed is not standard, consult with us.

Table 8-3 Maintenance Manual Pages that can be Referenced Regarding Lubrication Maintenance

	Lubrication method	Oiling, greasing at time of purchase, prior to operation	Location of information on maintenance technique					
			Oil, grease change, replenish intervals	Recommended lubricating oil, grease	Oil fill quantity Grease supply quantity	Oil fill and drain procedures Grease supply and discharge procedures		
Gear unit	Oil lubrication	Oil Bath	Required	8-3 (1) P38	8-3 (2) P38	8-3 (3) P39	8-3 (4), (5) P39, 40	
		Plunger system						force-feed lubrication
		Trochoid system						Independent lubrication
Grease lubrication	Long-life grease	Self-lubricating	Not required	8-4 (1) P41	8-4 (2) P41	8-4 (3) P42	8-4 (4) P43	
								Other than long-life grease
Motor bearing unit	Grease lubrication	—	Not required	8-6 (1) P44	8-6 (2) P45	8-6 (1) P44	8-6 (3) P45	

Note: For plunger pump type (force-feed lubrication) models, in the case that the slow speed shaft does not rotate continuously (example: the slow speed shaft only rotates 90° or less), consult with us. As Figure 10-2 on P74 shows, plunger pump [40] is driven by cam [47] on the slow speed shaft unit. If the machine is not driven at a continuous, standard input speed, consideration must be made for providing sufficient lubrication to the reducer.

8-3 Oil Supply and Oil Change for Oil Lubricated Gear Units

(1) Oil Change Interval

Table 8-4 Lubricating Oil Inspection and Change Intervals

	Change Interval		Operating Condition
Oil supply	Time of purchase		–
Oil change	First time	After 500 hours or 6 months, whichever comes first.	–
	2nd. and subsequent times	Every 5,000 hours, or every year, whichever comes first.	Indoors, etc. at 0 to 35 °C
		Every 2,500 hours, or every 6 months, whichever comes first.	Outdoors or hot locations, etc., where 0 to 35 °C cannot be maintained.

- Oil degrades more rapidly when ambient temperature is high or changes radically, and when corrosive gases are present. In such cases confer with the lubricating oil manufacturer.

(2) Recommended Lubricating Oil

Always use lubricating oils recommended by Sumitomo Heavy Industries as shown in Table 8-5.

Table 8-5 Recommended Lubricating Oils (Equivalent to SP type industrial high-pressure gear oil or JIS K2219)

Ambient temperature °C	COSMO	ENEOS		IDEMITSU	Shell	Mobil		Gulf	CALTEX	bp
-10 to 5	COSMO GEAR SE 68	BONNOC M 68	–	Daphne Super Gear Oil 68	Shell Omala S2 G 68	–	Mobilgear 600 XP 68	Gulf EP Lubricant HD 68	–	Energol GR-XP 68
0 to 35	COSMO GEAR SE 100, 150	BONNOC M 100, 150	BONNOC TS 150	Daphne Super Gear Oil 100, 150	Shell Omala S2 G 100, 150	Spartan EP 150	Mobilgear 600 XP 100, 150	Gulf EP Lubricant HD 100, 150	Meropa 100, 150	Energol GR-XP 100, 150
30 to 50	COSMO GEAR SE 220 - 460	BONNOC M 220 - 460	BONNOC TS 220 - 460	Daphne Super Gear Oil 220 - 460	Shell Omala S2 G 220 - 460	Spartan EP 220 - 460	Mobilgear 600 XP 220 - 460	Gulf EP Lubricant HD 220 - 460	Meropa 220 - 460	Energol GR-XP 220 - 460

[1] When using in winter or where the ambient temperature is relatively low, use an oil with a viscosity at the lower end of the range.

[2] For allowable lubricating oil viscosity see Table 8-6. Use within this required viscosity range.

Table 8-6 Allowable Oil Lubricant Viscosity

Minimum allowable viscosity	For oil temperature during operation, minimum 15mm ² /S.		Viscosity that will obtain required film strength under load.
Maximum allowable viscosity	Oil bath lubricated models	Maximum 4,300mm ² /S	Viscosity at which Cyclo Drive can start
	Force feed lubricated models	Maximum 2,200mm ² /S	Viscosity at which the plunger pump and motorized trochoid pump can start.

[3] For a smooth startup use oil with a pour point at least 5°C below ambient temperature.

[4] If operating temperature changes within a wide range use a high viscosity index oil that meets requirements [2] and [3].

[5] If regularly operating outside the ambient temperature range of 0 to 40°C, some parts of the mechanism may need to be changed, and lubricating oil might need to be preheated, or cooled. Please consult with us.

(3) Oil Fill Quantity

Table 8-7, 8-8 provides approximate oil fill quantities. There are individual differences in actual quantities due to difference in each structure. Make sure to check that the oil level reaches the top red line on the oil gauge, because the oil quantity may be more or less than requirement even if the oil is filled according to Table 8-7, 8-8.

Table 8-7 Approximate Oil Fill Quantity (L)

Low reduction ratio series	Frame size	613□	614□	616□	617□	Single Reduction	Frame size	613□	614□	616□	617□	618□	619□	6205	6215	6225	6235	6245	6255	6265	6275
	Horizontal	0.7	0.7	1.4	1.9		Horizontal	0.7	0.7	1.4	1.9	2.5	4.0	5.5	8.5	10	15	16	21	29	56
	Vertical	1.0	1.0	2.3	4.3		Vertical	1.1	1.1	1.0	1.9	2.0	2.7	5.7	7.5	10	12	15	35	43	(60)
Double Reduction	Frame size	616 □ DC	617 □ DC	618 □ DB	619 □ DA	619 □ DB	6205DA 6205DB	6215DA 6215DB	6225DA 6225DB	6235DA 6235DB	6245DA 6245DB	6255DA 6255DB	6265DA	6275DA							
	Horizontal	1.5	2.4	3.5	5.8	6.0	6.0	10	11	17	18	23	32	60							
	Vertical	1.0	1.9	2.0	2.7	2.7	11	14	18	23	29	42	51	(60)							

Table 8-8 Oil Fill Quantity (L) for Horizontal Chain Flight Sludge Collector Specification

Double Reduction	Frame size	613 □ DB	613 □ DC	614 □ DB	614 □ DC	616 □ DA	616 □ DB	617 □ DA	617 □ DB	618 □ DA
	Horizontal	0.8	0.8	0.8	0.8	1.5	1.5	2.4	2.4	3.0

Note: 1. The symbol □ in frame size can be "0", "5" or "H".

2. Depending on the reduction ratio, 2-stage, vertical type will require grease.
3. Parentheses indicate use of a motorized trochoid pump
4. Horizontal type indicates the following nomenclature: PHHM, CHH, CHHM, CHHX, CHHXM, CHHJ, CHHJM. Vertical type indicates the following nomenclature: PVVM, CVV, CVVM, CVVX, CVVXM, CVVJ, CVVJM.

For other nomenclature and mounting directions that are outside standard specification, see the delivery specifications.

(4) Oil Fill Procedure

■ Oil Fill Procedure for Horizontal Type

- [1] Remove the filler plug.
- [2] Pour oil into the oil filler port, keeping an eye on the oil gauge to check the oil level.
- [3] Confirm that the oil level is up to the top red line on the oil gauge.
- [4] Replace the filler plug.

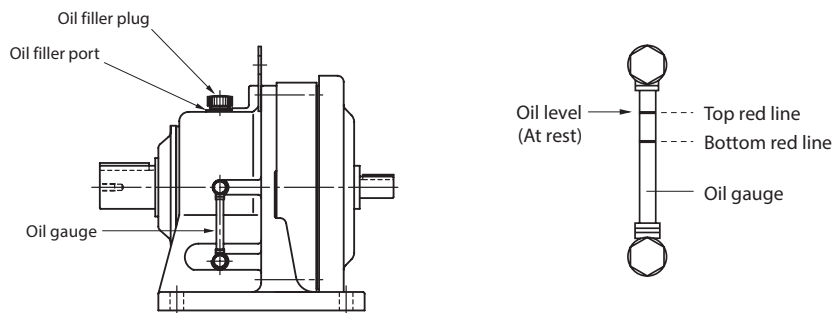


Figure 8-1 Horizontal Types

■ Oil Fill Procedure for Vertical Type

- [1] Remove the filler plug. For frame sizes other than **models other than frame size 6255, 6265** remove the air vent plug to release air.
- [2] Pour oil into the oil filler port, keeping an eye on the oil gauge to check the oil level.
- [3] Confirm that the oil level is up to the top red line on the oil gauge.
- [4] For frame sizes other than **models other than frame size 6255, 6265** wrap the air vent plug with sealing tape and install it.
- [5] Replace the filler plug.

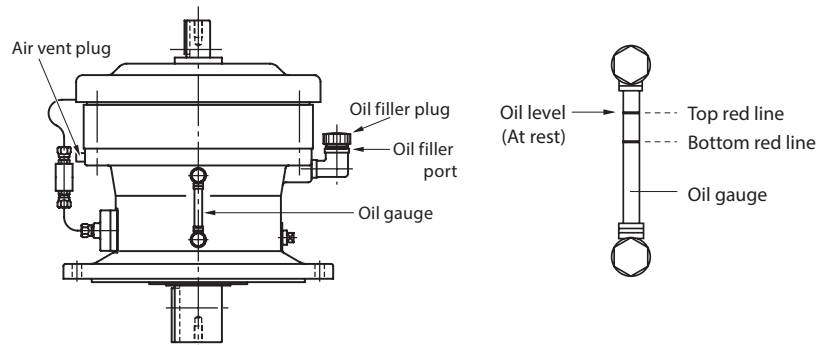


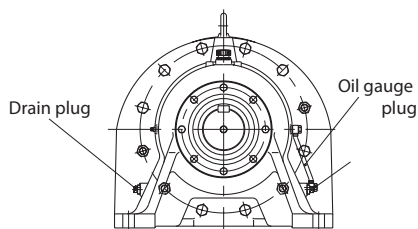
Figure 8-2 Vertical Types

- Only fill oil when the machine is stopped.
- It will take some time for high-viscosity oil to reach a uniform level. Be careful not to fill with too much oil. (If oil is filled above the top red line, churning heat may raise the temperature.)
- Use the lower red line of the oil gauge as a guideline for the oil level while the machine is running. (The oil level may drop below the bottom red line immediately after the machine starts. It will return when oil viscosity drops as the machine runs. Therefore, this is not a problem.)
- For daily oil level management see Table 8-1 on P36.

(5) Draining Procedures

To drain the oil, remove the oil drain plug and the the plug at the bottom of the oil gauge.

Horizontal types



Vertical types

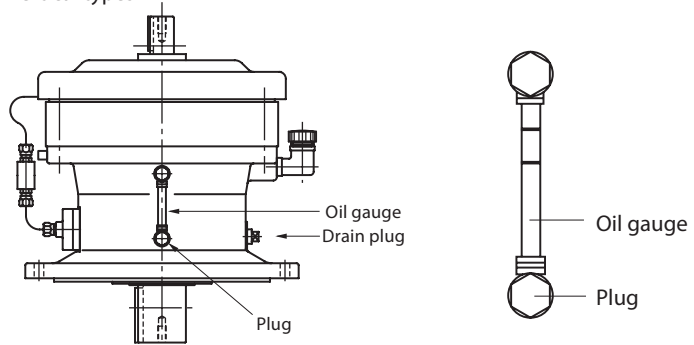


Figure 8-3 Draining Oil

(6) Long Term Inactivity

Table 8-9 Long Term Inactivity

Period of Inactivity	Approximately 1 month	Before resting the machine, change to new oil and run the machine for a few minutes.
	1 month or more	Before resting the machine, flush, fill with rust preventing oil and run for a few minutes under no load.

When resuming operation after a long period of inactivity, change to new oil because the existing oil may degrade.

8-4 Grease Replenishment for Grease Gear Unit Models

(1) Grease Replenishment Intervals

Table 8-10 Grease Replenishment Intervals

Type	Grease Replenishment and Change Intervals
Long-life grease lubricated models	Although these models use long-life grease, and can run for a long time without replenishment, maintenance with disassembly after approximately 20,000 hours or 3 to 5 years will further increase lifetime.
Other models than Long-life grease lubricated ones	Replenish as shown in Table 8-11. Maintenance with disassembly after approximately 20,000 hours or 3 to 5 years will further increase lifetime.

Table 8-11 Grease Replenishment Intervals (Except Long-Life Grease Lubricated Models)

Operation Time	Replenishment Interval	Remarks
Less than 10 hours per day	Once every 3 – 6 months	Shorten the replenishment interval when the operating conditions are severe or the frame size is large.
10 – 24 hours per day	Once every 500 – 1,000 hours	

(2) Recommended Grease (Grease used when shipped)

Table 8-12 Recommended Grease (Grease used when shipped)

	Type	Manufacturer	Description	Ambient temperature °C
[1]	SK series Long-life grease lubricated models	Shell	Shell Alvania EP Grease R000	-10 to 40
[2]	Single Reduction Long-life grease lubricated models	NIPPECO Mobil	BEN10-No.2 UNIREX N2	-10 to 50
[3]	Double Reduction Models that are not lubricated with long-life grease	COSMO Mobil	COSMO GREASE DYNAMAX SH No.2 UNIREX N2	
[4]	Triple Reduction The following frame sizes when inverter-driven 613 □ DA, 613 □ DB, 613 □ DC, 614 □ DA, 614 □ DB, 614 □ DC, 616 □ DA, 616 □ DB, 617 □ DA, 617 □ DB, 618 □ DA	NIPPECO Mobil	BEN10-No.2 UNIREX N2	

- The symbol □ in frame size can be "0" or "5".
- Only use grease listed in Table 8-12.
- The maintenance method will differ according to product although the same grease is used.
- When regularly used in an ambient temperature outside the 0 to 40°C range, some specifications will differ. Please consult with us.

(3) Grease Replenishment Quantity

These tables show grease replenishment quantities. Replenish using these tables as a guideline.

Upper Row: Frame size
Lower Row: Replenishment Quantity (g)

Table 8-13 Grease Replenishment Quantity (Guidelines)

SK series

607 □ SK	608 □ SK	609 □ SK	610 □ SK	611 □ SK
Long-life grease lubricated models. Replenishment is not required.				

Single Reduction

606 □	607 □	608 □	609 □	610 □	611 □	612 □
Long-life grease lubricated models. Replenishment is not required.						

Double Reduction

606 □ DA	607 □ DA	609 □ DA	610 □ DA	612 □ DA	612 □ DB			
Long-life grease lubricated models. Replenishment is not required.								
613 □ DA	613 □ DB	613 □ DC	614 □ DA	614 □ DB	614 □ DC	616 □ DA	616 □ DB	616 □ DC
8.5 – 12.5	20 – 30	40 – 60	8.5 – 12.5	20 – 30	40 – 60	20 – 30	40 – 60	85 – 125
617 □ DA	617 □ DB	617 □ DC	618 □ DA	618 □ DB	619 □ DA	619 □ DB		
20 – 30	40 – 60	85 – 125	40 – 60	150 – 225	110 – 165	150 – 225		
6205DA	6205DB	6215DA	6215DB	6225DA	6225DB	6235DA	6235DB	
110 – 165	150 – 225	150 – 225	250 – 375	150 – 225	335 – 500	250 – 375	370 – 550	
6245DA	6245DB	6255DA	6255DB	6265DA				
250 – 375	370 – 550	335 – 500	500 – 750	500 – 750				

Triple Reduction

606 □ TA	607 □ TA	609 □ TA	610 □ TA	612 □ TA	612 □ TB				
Long-life grease lubricated models. Replenishment is not required.									
613 □ TA	613 □ TB	613 □ TC	614 □ TA	614 □ TB	614 □ TC	616 □ TA	616 □ TB	616 □ TC	616 □ TD
8.5 – 12.5	8.5 – 12.5	8.5 – 12.5	8.5 – 12.5	8.5 – 12.5	8.5 – 12.5	8.5 – 12.5	8.5 – 12.5	8.5 – 12.5	20 – 30
617 □ TA	617 □ TB	617 □ TC	617 □ TD	618 □ TA	618 □ TB	618 □ TC	618 □ TD	619 □ TA	619 □ TB
8.5 – 12.5	8.5 – 12.5	8.5 – 12.5	30 – 45	8.5 – 12.5	8.5 – 12.5	20 – 30	40 – 60	8.5 – 12.5	20 – 30
619 □ TC	619 □ TD	619 □ TE	6205TA	6205TB	6205TC	6205TD	6205TE	6215TA	6215TB
8.5 – 12.5	20 – 30	40 – 60	8.5 – 12.5	20 – 30	8.5 – 12.5	20 – 30	40 – 60	8.5 – 12.5	20 – 30
6215TC	6215TD	6215TE	6215TF	6225TA	6225TB	6225TC	6225TD	6225TE	6225TF
40 – 60	20 – 30	40 – 60	85 – 125	8.5 – 12.5	20 – 30	40 – 60	20 – 30	40 – 60	85 – 125
6235TA	6235TB	6235TC	6235TD	6235TE	6245TA	6245TB	6245TC	6245TD	6245TE
20 – 30	40 – 60	85 – 125	40 – 60	150 – 225	20 – 30	40 – 60	85 – 125	40 – 60	150 – 225
6255TA	6255TB	6255TC	6255TD	6255TE	6265TA	6265TB	6275TA	6275TB	
20 – 30	40 – 60	85 – 125	85 – 125	150 – 225	85 – 125	150 – 225	85 – 125	150 – 225	

- The symbol □ in frame size can be "0", "5" or "H".
- When changing grease, consult with us for filling quantity for each unit.

(4) Procedures for Filling and Discharging

Grease replenishment procedure for grease lubricated models (excluding long- lifetime grease lubricated models)

- [1] Remove the grease discharge plug from the casing.
- [2] Use a grease gun to replenish through the grease fittings for the internal cover and the motor flange bracket, using the quantities of grease shown on P42, Table 8-13 as guidelines. If a grease fitting has a metal cap, remove the cap before replenishing. After replenishing replace the metal cap.
- [3] Replace the grease discharge plug.

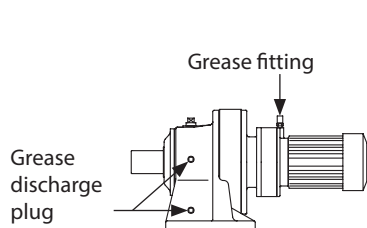


Table 8-4 Location of Grease Fill and Discharge Port
(Example: Horizontal, Gearmotor, 2-Stage)

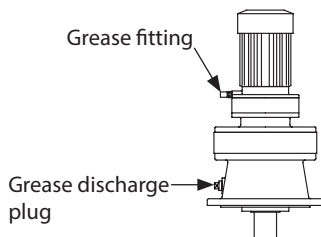


Table 8-5 Location of Grease Fill and Discharge Port
(Example: Vertical, Gearmotor, 2-Stage)

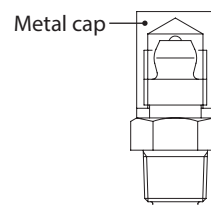


Table 8-6 Grease Fitting with Metal Cap

- Grease while the machine is running to improve grease distribution.
- In addition to being used for discharging grease, the grease discharge plug also functions as a pressure vent when replenishing grease. Make certain to remove when replenishing.
- Replenish grease slowly.
- Replenishing more than the quantity shown in Table 8-13 may cause agitation heat, which raises the temperature, and may cause grease to leak into the motor unit.
- Grease may ooze out of the grease fitting after starting the machine. In such a case replace the grease fitting with one that has a metal cap.
- Be careful when handling the metal cap for the grease fitting as dropping it from a high place is dangerous.
- Contact the nearest authorized service station concerning changing all of the grease in a grease lubricated model.

8-5 Main Unit Maintenance

- Although it will depend on operation conditions, maintenance with disassembly after approximately 20,000 hours or 3 to 5 years will further increase lifetime. Contact the nearest authorized service station regarding maintenance with disassembly.
- Oil seals have a lifetime. During long use natural degradation and frictional wear will reduce effectiveness. Reducer operating conditions and ambient environment will cause lifetime to widely vary. Given normal operation, (uniform load, running 10 hours per day, normal temperature) as a guideline it is recommended to change them every 1 to 3 years. If the sliding surfaces of oil seals or V-rings show signs of wear or corrosion, replace them with new ones. Because sliding surfaces for oil seals are made of carbon steel, take on-going rust prevention measures regularly not to spread rust on them by applying rustproof oil and so on, if there are exposed surfaces of steel.
- If stop and start are frequent, mounting bolts (or nuts) and ring gear housing fastening bolts (or nuts) may come loose. Periodically check for looseness as this is a source of miss-alignment, oil leakages, and load unbalance.



8. Daily Inspection and Maintenance

8-6 Motor Bearing Maintenance

Bearing type and maintenance technique will vary according to motor frame size. When maintaining, confirm the bearing type by referring to the nameplate and Table 8-14.

When using a vector motor, other manufacturer's motor (There are some models made by other manufacture.), refer to the operation manual for that motor.

Table 8-14 Bearing Types

Bearing type	- Specified motor (frame size)		Remarks
	Load side	Anti-load side	
Sealed bearing	- Motor frame size 160 and lower - Motor frame size 180 and higher, at the same time Cyclo frame size 6225 and lower	All motors except the following.	Not constructed for filling or draining grease
Open bearing	- Motor frame size 180 and higher, at the same time Cyclo frame size 6235 and higher	- Motor frame size F-200L (increased safety, explosion proof), at the same time Cyclo frame size 6255 and 6265	With grease fitting and grease discharge plug

(1) Sealed Bearing Maintenance

Although it will depend on operation conditions, maintenance with disassembly after approximately 20,000 hours or 3 to 5 years will further increase lifetime.

Contact the nearest authorized service station regarding maintenance with disassembly.

(2) Open Bearing Maintenance

Check the bearing number on the nameplate, and replenish grease in accordance with with Table 8-15.

Table 8-15 Open Bearing Grease Replenishment Intervals and Replenishment Quantity

Bearing number	Replenishment quantity (g)	Grease replenishment interval (interval (h) for speeds (r/min))					
		720 r/min	870 r/min	980 r/min	1165 r/min	1450 r/min	1750 r/min
NU314	40	4000	3500	3000	2500	1500	1000
NU315	45	4000	3000	3000	2000	1500	1000
NU316	50	4000	3000	2500	2000	1500	1000
NU317	55	3500	3000	2500	2000	1500	1000
NU318	60	3500	2500	2500	2000	1000	1000
21312	30	1500	1000	1000	800	-	-

- The replenishment quantity is the quantity to insert at each interval.
- Even in the case of intermittent operation, replenish grease approximately every 3 years.
- If the machine is rested for a long time, replenish grease immediately after resuming operation.

(3) Recommended Grease for Open Bearings

Table 8-16 Recommended Grease

Ambient temperature °C	Open Bearing	
	Thermal class 130 (B)	Thermal class 155 (F)
	Mobil	Shell
-10 to 40	UNIREX N2	Shell Stamina Grease RL2

Avoid using grease other than that listed in Table 8-16.



(4) Procedures for Filling and Discharging Grease for Open Bearings

See construction diagram 8-7.

[1] Remove the discharge port plug, and discharge the old grease. While the machine is running replenish with new grease through the grease fitting.

(Grease change will be incomplete if replenishing is done while the machine is stopped.)

[2] Run the machine for approximately 10 minutes after the grease is inserted. Then fasten the discharge port plug.

- Overfilling could cause the bearing to overheat, grease to leak and other problems. Be careful.
- Do not think that it is allowable to replenish with a large quantity to extend the replenishment interval.
- Please maintain the machine properly. Neglecting replenishment when resuming operation, or periodic replenishment when the machine is operating could lead to abnormal wear, bearing noise, bearing burnout, and other problems.

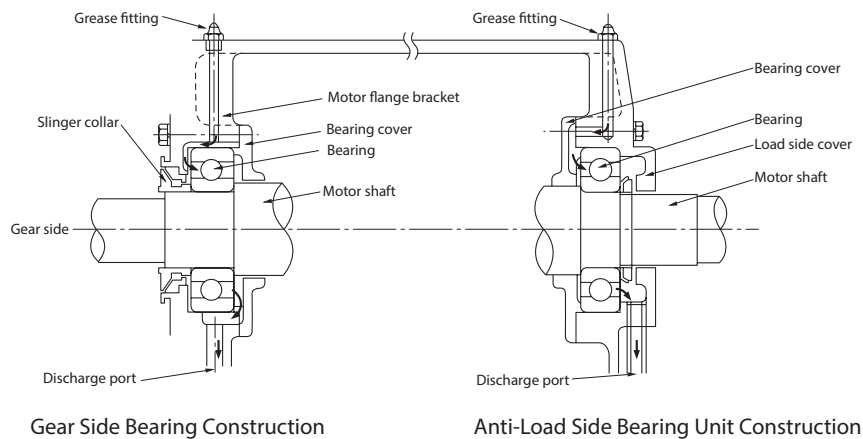


Figure 8-7 Open Bearing Unit Construction



8. Daily Inspection and Maintenance

8-7 Brake Maintenance and Inspection

DANGER

- Do not handle the unit when cables are live. Be sure to turn off the power when operating on the unit; otherwise, electric shock may result.
- When using for lifting, do not release the brake while a load is suspended; otherwise it could fall, causing an accident.
- Do not operate the machine while the brake is released by the manual brake release bolt; otherwise, falling, going out of control, or damage to the equipment may result.
- Before operation turn power on and off to check brake action; otherwise falling or running out of control could occur.
- Do not bring water or oils in contact with the brake. Brake torque degradation could cause falling or running out of control.

CAUTION

- After gap inspection and adjustment do not operate with the fan cover removed. otherwise loose clothing may become caught in these rotating parts and cause serious injury or death.
- Changing brake linings requires experience. Consult with the nearest authorized service station.

Given normal operation conditions, brake mechanical lifetime is quite long at 2 million times (1 million times for FB-30, ESB-250 and ESB-250-2). These conditions include the moment of inertia for the load being no greater than the moment of inertia for the brakemotor. However, please periodically inspect the brake gap (G). The brake lining wears after long hours of running time, making it impossible for the brake to release. When 2 million times is exceeded (1 million times for FB-30, ESB-250 and ESB-250-2), wear and damage to mechanical parts may cause dropping or overdrive problems.

8-8 Brake Construction and Gap Inspection and Adjustment

- The brake is spring activated (power-off type).
- The brake lining wears after long hours of operating the brake, making it impossible for the brake to release. Therefore please periodically inspect the brake gap (G).
- If on inspection the gap is close to the limit, adjust the gap.
- In FB-1E – FB-4E a shock absorber is inserted between the stationary core and the armature plate to reduce the noise that results from the braking action.

When inspecting be careful that the gap gauge, other measuring tool or anything else does not damage the shock absorber or cause it to fall out.

There is danger that if the shock absorber is damaged or falls out, brake noise will increase and the brake will not function properly.

Table 8-17 Pages Containing Information on Brake Construction and Gap Inspection and Adjustment

Brake type	Indoor	Outdoor
FB-01A1, FB-02A1, FB-05A1	P47	P58
FB-1D	P48	P59
FB-1E	P49	P60
FB-1HE, FB-2E	P50	P61
FB-3E, FB-4E	P51	P62
FB-5E, FB-8E	P52	P63
FB-10E, FB-15E	P53	P64
FB-20	P54	P65
FB-30	P55	P66
ESB-250, ESB-250-2	P56	P67

■ FB-01A1, FB-02A1, FB-05A1 (Indoor Type)

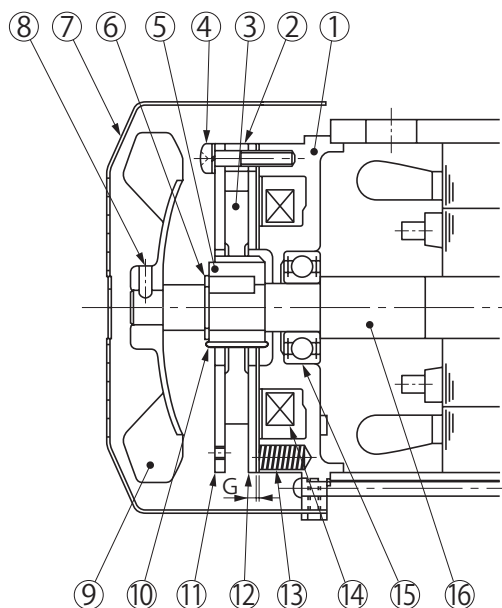


Figure 8-8

Code	Part Name
1	Stationary core
2	Spacer
3	Brake lining
4	Attachment bolt
5	Boss
6	Shaft-retaining C-ring
7	Cover
8	Fan set screw
9	Fan
10	Leaf spring
11	Fixed plate
12	Armature plate
13	Spring
14	Electromagnetic coil
15	Bearing
16	Motor shaft

Note: FB-01A1 does not come with [8][9].

- Gap Inspection

- (1) Remove the cover [7].
- (2) Insert a gap gauge between the stationary core [1] and the armature plate [12], and measure the gap. Measure in 3 locations around the circumference.
- (3) Adjustment is required if the gap value is near the limit.

Gap value G (mm)	
Required value (original value)	Limit value
0.2 – 0.35	0.5

- Gap Adjustment

- (1) Remove the cover [7].
- (2) Loosen the fan set screw [8] and remove the fan [9].
- (3) Slightly loosen the attachment bolts [4] and rotate the fixed plate [11] counterclockwise, as far as it will go. Then tighten the attachment bolts [4]. After tightening, measure the gap (G) and check to see if the gap value is between the required value and the limit. (This operation will reduce the gap by 0.3 mm.)
- (4) Turn the power on and off to check brake action.
- (5) Attach the fan [9] and cover [7]. Use a fan set screw [8] coated with Three Bond TB2365 (Sumitomo part number EW444WW-01), and tighten to a torque of 0.3 – 0.5 N·m.

Note : If the the optional brake release bolt is installed, disassemble after removing the release bolt.

■ FB-1D (Indoor Type)

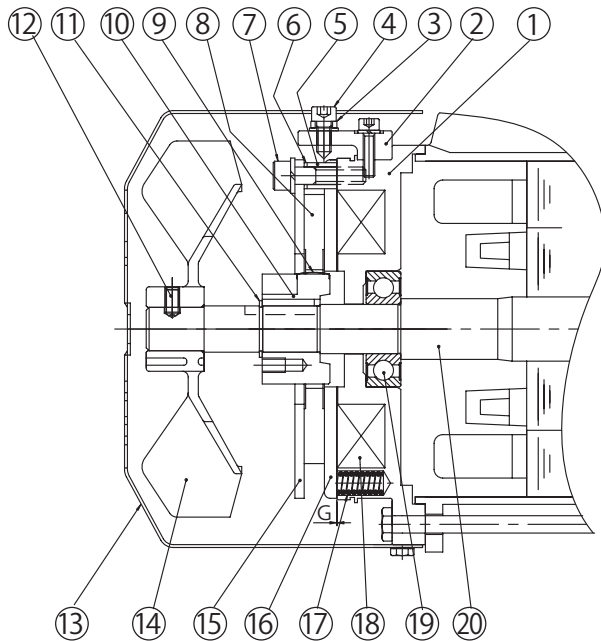


Figure 8-9

Code	Part Name
1	Stationary core
2	Brake release
3	Manual release protection spacer
4	Brake release bolt
5	Spacer
6	Gap adjusting shims
7	Attachment bolt
8	Brake lining
9	Leaf spring
10	Boss
11	Shaft-retaining C-ring
12	Fan set screw
13	Cover
14	Fan
15	Fixed plate
16	Armature plate
17	Spring
18	Electromagnetic coil
19	Bearing
20	Motor shaft

- Gap Inspection

- (1) Remove the brake release bolt [4] and the manual release prevention spacer [3].
- (2) Remove the cover [13].
- (3) Insert a gap gauge between the stationary core [1] and the armature plate [16] and measure the gap. Measure in 3 locations around the circumference.
- (4) Adjustment is required if the gap value is near the limit.

(Gap adjustment shim thickness is approximately 0.2 – 0.25 mm. Adjustment cannot be made at a lower value.)

Gap value G (mm)	
Required value (original value)	Limit value
0.3 – 0.4	0.6

- Gap Adjustment

- (1) Remove the brake release bolt [4] and the manual release prevention spacer [3].
- (2) Remove the cover [13].
- (3) Remove the fan set screw [12] and remove the fan [14].
- (4) Loosen the attachment bolts [7] and remove the spacers [5], gap adjustment shims [6], attachment bolts [7] and fixed plate [15] as a set. When removing the attachment bolts [7] make certain not to omit the gap adjustment shims [6].
- (5) The gap adjustment shims [6] have a thickness of 0.2 – 0.25 mm. Reduce the number of shims according to the wear conditions, then reassemble the spacers [5], gap adjustment shims [6], attachment bolts [7] and the fixed plate [15] as a set.
- (6) Check the gap G, and readjust the shims if there is a large difference between the gap and the required value.
- (7) Turn the power on and off to check brake action.
- (8) Attach the fan [14], fan set screw [12] and cover [13]. Use a fan set screw [12] coated with Three Bond TB2365 (Sumitomo part number EW445WW-01), and tighten to a torque of 0.85 – 1.05 N·m. Finally, attach the brake release bolt [4] and the manual release prevention spacer [3].

■ FB-1E (Indoor Type)

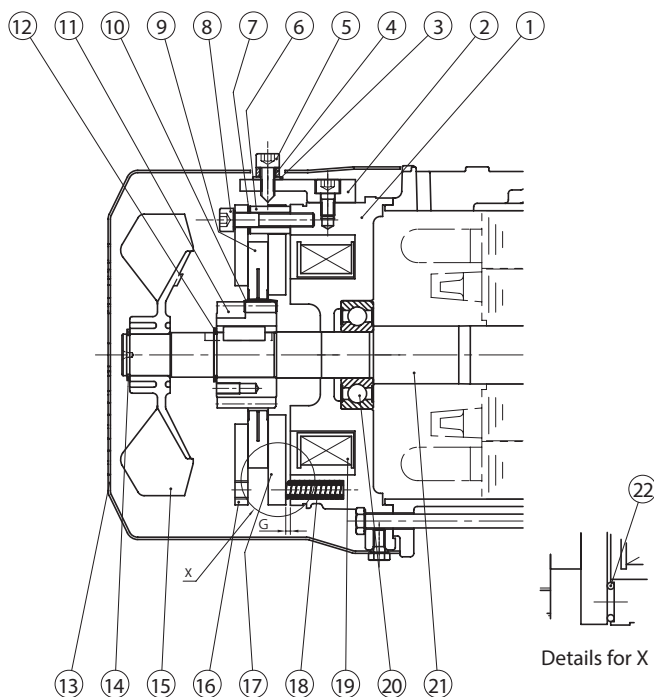


Figure 8-10

Code	Part Name
1	Stationary core
2	Brake release
3	Seal washer
4	Manual release prevention spacer
5	Brake release bolt
6	Spacer
7	Gap adjusting shims
8	Attachment bolt
9	Brake lining
10	Leaf spring
11	Boss
12	Shaft-retaining C-ring
13	Cover
14	Shaft-retaining C-ring
15	Fan
16	Fixed plate
17	Armature plate
18	Spring
19	Electromagnetic coil
20	Ball bearings
21	Motor shaft
22	Shock absorber

- Gap Inspection

- (1) Remove the brake release bolt [5] and the manual release prevention spacer [4].
- (2) Remove the cover [13].
- (3) Insert a gap gauge between the stationary core [1] and the armature plate [17] and measure the gap. Measure in 3 locations around the circumference.
- (4) Adjustment is required if the gap value is near the limit.

(Gap adjustment shim thickness is approximately 0.2 – 0.25 mm. Adjustment cannot be made at a lower value.)

Gap value G (mm)	
Required value (original value)	Limit value
0.25 – 0.35	0.6

- Gap Adjustment

- (1) Remove the brake release bolt [5] and the manual release prevention spacer [4].
- (2) Remove the cover [13].
- (3) Remove the shaft-retaining C-ring [14], and remove the fan [15].
- (4) Loosen the attachment bolts [8] and remove the spacers [6], gap adjustment shims [7], attachment bolts [8] and fixed plate [16] as a set. When removing the attachment bolts [8] make certain not to omit the gap adjustment shims [7] or the shock absorber [22].
- (5) The gap adjustment shims [7] have a thickness of 0.2 – 0.25 mm. Reduce the number of shims according to the wear conditions, then reassemble the spacers [6], gap adjustment shims [7], attachment bolts [8] and the fixed plate [16] as a set.
- (6) Check the gap G, and readjust the shims if there is a large difference between the gap and the required value.
- (7) Turn the power on and off to check brake action.
- (8) Attach the fan [15], shaft-retaining C-ring [14] and cover [13].
- (9) Finally, attach the brake release bolt [5] and the manual release prevention spacer [4].

■ FB-1HE, FB-2E (Indoor Type)

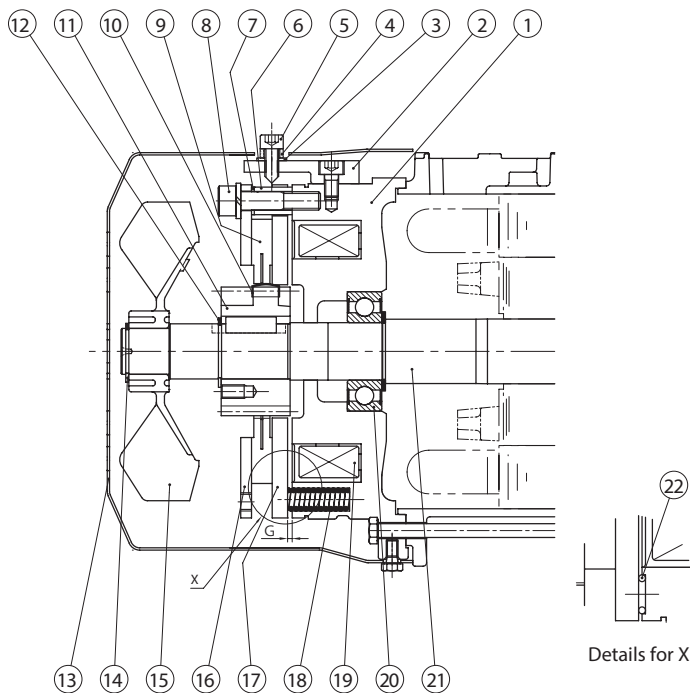


Figure 8-11

Code	Part Name
1	Stationary core
2	Brake release
3	Seal washer
4	Manual release prevention spacer
5	Brake release bolt
6	Spacer
7	Gap adjusting shims
8	Attachment bolt
9	Brake lining
10	Leaf spring
11	Boss
12	Shaft-retaining C-ring
13	Cover
14	Shaft-retaining C-ring
15	Fan
16	Fixed plate
17	Armature plate
18	Spring
19	Electromagnetic coil
20	Ball bearings
21	Motor shaft
22	Shock absorber

- Gap Inspection

- (1) Remove the brake release bolt [5] and the manual release prevention spacer [4].
- (2) Remove the cover [13].
- (3) Insert a gap gauge between the stationary core [1] and the armature plate [17] and measure the gap. Measure in 3 locations around the circumference.
- (4) Adjustment is required if the gap value is near the limit.

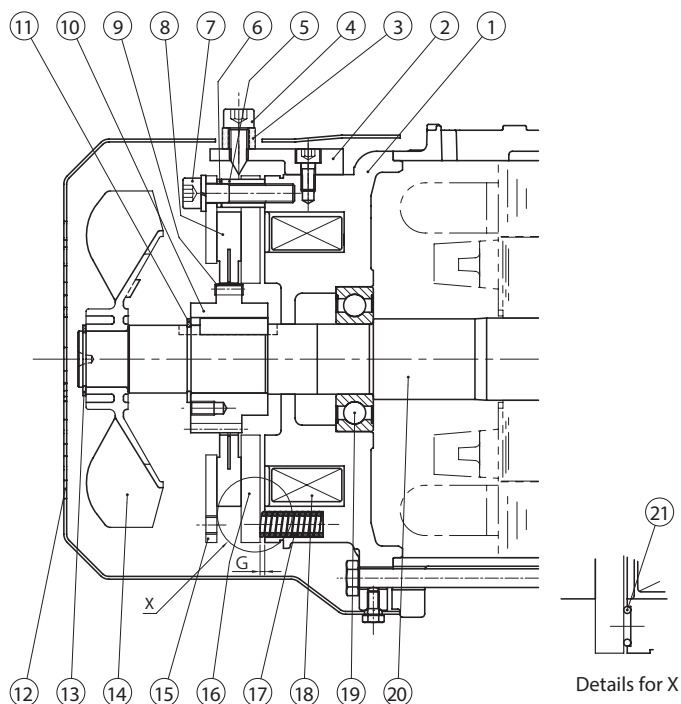
(Gap adjustment shim thickness is approximately 0.35 – 0.45 mm. Adjustment cannot be made at a lower value.)

Gap value G (mm)	
Required value (original value)	Limit value
0.25 – 0.35	0.75

- Gap Adjustment

- (1) Remove the brake release bolt [5] and the manual release prevention spacer [4].
- (2) Remove the cover [13].
- (3) Remove the shaft-retaining C-ring [14], and remove the fan [15].
- (4) Loosen the attachment bolts [8] and remove the spacers [6], gap adjustment shims [7], attachment bolts [8] and fixed plate [16] as a set. When removing the attachment bolts [8] make certain not to omit the gap adjustment shims [7] or the shock absorber [22].
- (5) The gap adjustment shims [7] have a thickness of 0.35 – 0.45 mm. Reduce the number of shims according to the wear conditions, then reassemble the spacers [6], gap adjustment shims [7], attachment bolts [8] and the fixed plate [16] as a set.
- (6) Check the gap G, and readjust the shims if there is a large difference between the gap and the required value.
- (7) Turn the power on and off to check brake action.
- (8) Attach the fan [15], shaft-retaining C-ring [14] and cover [13].
- (9) Finally, attach the brake release bolt [5] and the manual release prevention spacer [4].

■ FB-3E, FB-4E (Indoor Type)



Code	Part Name
1	Stationary core
2	Brake release
3	Manual release prevention spacer
4	Brake release bolt
5	Spacer
6	Gap adjusting shims
7	Attachment bolt
8	Brake lining
9	Leaf spring
10	Boss
11	Shaft-retaining C-ring
12	Cover
13	Shaft-retaining C-ring
14	Fan
15	Fixed plate
16	Armature plate
17	Spring
18	Electromagnetic coil
19	Ball bearings
20	Motor shaft
21	Shock absorber

Figure 8-12

- Gap Inspection

- (1) Remove the brake release bolt [4] and the manual release prevention spacer [3].
- (2) Remove the cover [12].
- (3) Insert a gap gauge between the stationary core [1] and the armature plate [16] and measure the gap. Measure in 3 locations around the circumference.
- (4) Adjustment is required if the gap value is near the limit.

(Gap adjustment shim thickness is approximately 0.45 – 0.55 mm. Adjustment cannot be made at a lower value.)

Gap value G (mm)	
Required value (original value)	Limit value
0.25 – 0.35	0.85

- Gap Adjustment

- (1) Remove the brake release bolt [4] and the manual release prevention spacer [3].
- (2) Remove the cover [12].
- (3) Remove the shaft-retaining C-ring [13] and the fan [14].
- (4) Loosen the attachment bolts [7] and remove the spacers [5], gap adjustment shims [6], attachment bolts [7] and fixed plate [15] as a set. When removing the attachment bolts [7] make certain not to omit the gap adjustment shims [6] or the shock absorber [21].
- (5) The gap adjustment shims [6] have a thickness of 0.45 – 0.55 mm. Reduce the number of shims according to the wear conditions, then reassemble the spacers [5], gap adjustment shims [6], attachment bolts [7] and fixed plate [15] as a set.
- (6) Check the gap G, and readjust the shims if there is a large difference between the gap and the required value.
- (7) Turn the power on and off to check brake action.
- (8) Attach the fan [14], shaft-retaining C-ring [13] and cover [12].
- (9) Finally, attach the brake release bolt [4] and the manual release prevention spacer [3].

■ FB-5E, FB-8E (Indoor Type)

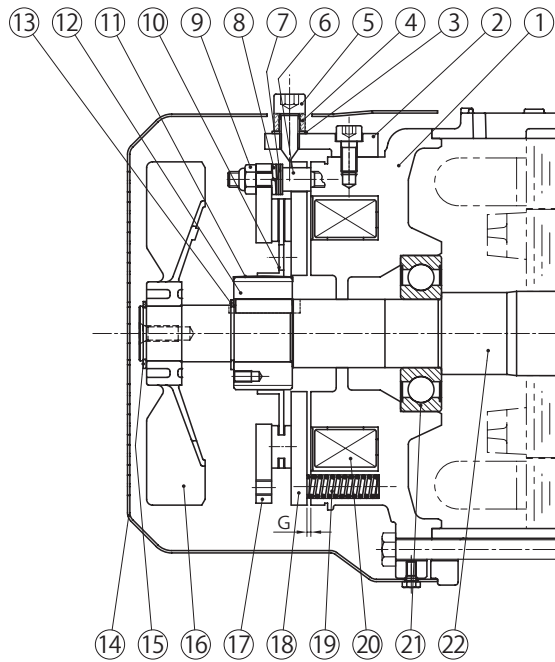


Figure 8-13

Code	Part Name
1	Stationary core
2	Brake release
3	Seal washer
4	Manual release prevention spacer
5	Brake release bolt
6	Stud bolt
7	Adjusting washer
8	Spring washer
9	Gap adjusting nut
10	Brake lining
11	Leaf spring
12	Boss
13	Shaft-retaining C-ring
14	Cover
15	Shaft-retaining C-ring
16	Fan
17	Fixed plate
18	Armature plate
19	Spring
20	Electromagnetic coil
21	Ball bearings
22	Motor shaft

- Gap Inspection

- (1) Remove the brake release bolt [5] and the manual release prevention spacer [4].
- (2) Remove the cover [14].
- (3) Insert a gap gauge between the stationary core [1] and the armature plate [18] and measure the gap. Measure in 3 locations around the circumference.
- (4) Adjustment is required if the gap value is near the limit.

Gap value G (mm)	
Required value (original value)	Limit value
0.35 – 0.45	1.0

- Gap Adjustment

- (1) Remove the brake release bolt [5] and the manual release prevention spacer [4].
- (2) Remove the cover [14].
- (3) Insert a gap gauge between the stationary core [1] and the armature plate [18] and rotate to the right the gap adjusting nuts [9] that are attached to ends of the stud bolts [6]. If large adjustments to the gap are not possible, decrease the number of adjusting washers [7]. There are 3 gap adjusting nuts [9]. Adjust these in turn so that 3 positions on the circumference are uniformly at the required gap.
- (4) Turn the power on and off to check brake action.
- (5) Attach the cover [14].
- (6) Finally, attach the brake release bolt [5] and the manual release prevention spacer [4].

■ FB-10E, FB-15E (Indoor Type)

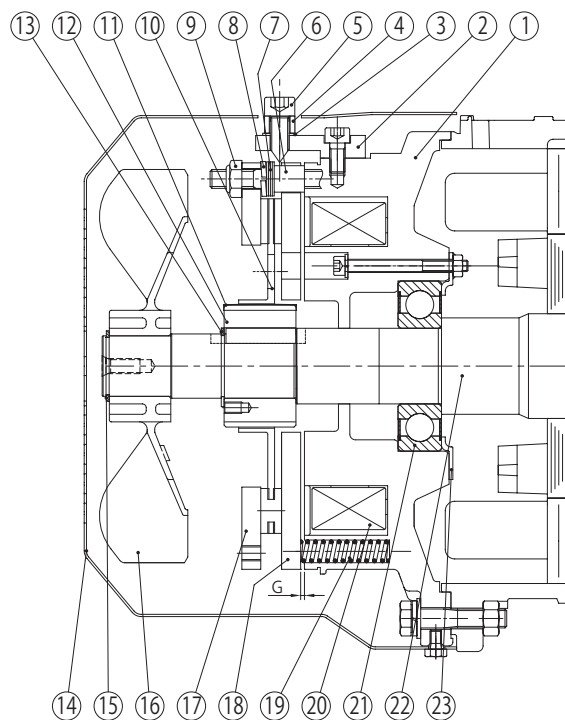


Figure 8-14

Code	Part Name
1	Stationary core
2	Brake release
3	Seal washer
4	Manual release prevention spacer
5	Brake release bolt
6	Stud bolt
7	Adjusting washer
8	Spring washer
9	Gap adjusting nut
10	Brake lining
11	Leaf spring
12	Boss
13	Shaft-retaining C-ring
14	Cover
15	Shaft-retaining C-ring
16	Fan
17	Fixed plate
18	Armature plate
19	Spring
20	Electromagnetic coil
21	Ball bearings
22	Motor shaft
23	Bearing cover

- Gap Inspection

- (1) Remove the brake release bolt [5] and the manual release prevention spacer [4].
- (2) Remove the cover [14].
- (3) Insert a gap gauge between the stationary core [1] and the armature plate [18] and measure the gap. Measure in 3 locations around the circumference.
- (4) Adjustment is required if the gap value is near the limit.

Gap value G (mm)	
Required value (original value)	Limit value
0.35 – 0.45	1.2

- Gap Adjustment

- (1) Remove the brake release bolt [5] and the manual release prevention spacer [4].
- (2) Remove the cover [14].
- (3) Insert a gap gauge between the stationary core [1] and the armature plate [18] and rotate to the right the gap adjusting nuts [9] that are attached to ends of the stud bolts [6]. If large adjustments to the gap are not possible, decrease the number of adjusting washers [7]. There are 3 adjusting nuts [9]. Adjust these in turn so that 3 positions on the circumference are uniformly at the required gap.
- (4) Turn the power on and off to check brake action.
- (5) Attach the cover [14].
- (6) Finally, attach the brake release bolt [5] and the manual release prevention spacer [4].

■ FB-20 (Indoor Type)

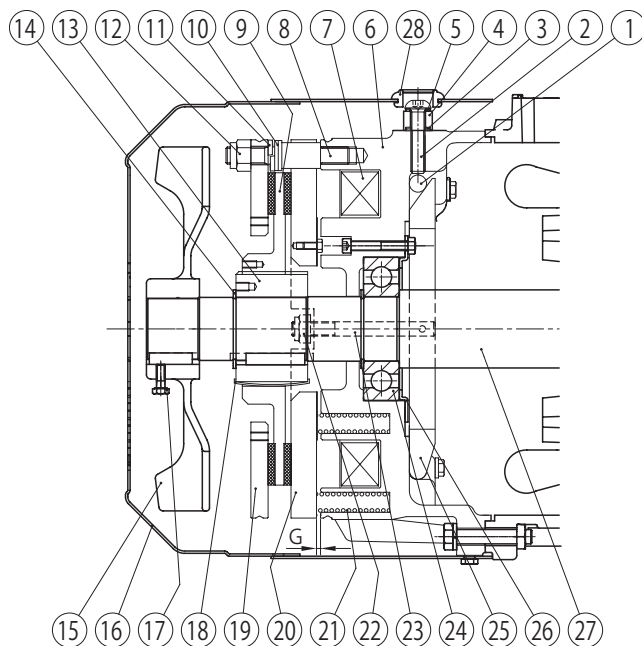


Figure 8-15

Code	Part Name
1	Roller
2	Brake release bolt
3	Rubber packing
4	Manual release prevention spacer
5	Seal washer
6	Stationary core
7	Electromagnetic coil
8	Stud bolt
9	Brake lining
10	Adjusting washer
11	Spring washer
12	Gap adjusting nut
13	Boss
14	Shaft-retaining C-ring
15	Fan
16	Cover
17	Fan set screw
18	Leaf spring
19	Fixed plate
20	Armature plate
21	Spring
22	Nut
23	Tap-end stud
24	Ball bearings
25	Release lever
26	Bearing cover
27	Motor shaft
28	Grommet

- Gap Inspection

- (1) Remove the grommet [28] and cover [16].
- (2) Insert a gap gauge between the stationary core [6] and the armature plate [12], and measure the gap. Measure in 3 locations around the circumference.
- (3) Adjustment is required if the gap value is near the limit.

Gap value G (mm)	
Required value (original value)	Limit value
0.6 – 0.7	1.5

- Gap Adjustment

- (1) Remove the grommet [28] and cover [16].
- (2) Insert a gap gauge between the stationary core [6] and the armature plate [20] and rotate to the right the gap adjusting nuts [12] that are attached to ends of the stud bolts [8]. If large adjustments to the gap are not possible, decrease the number of adjusting washers [10]. There are 3 gap adjusting nuts [12]. Adjust these in turn so that 3 positions on the circumference are uniformly at the required gap.
- (3) Turn the power on and off to check brake action.
- (4) Attach the cover [16] and grommet [28].

■ FB-30 (Indoor Type)

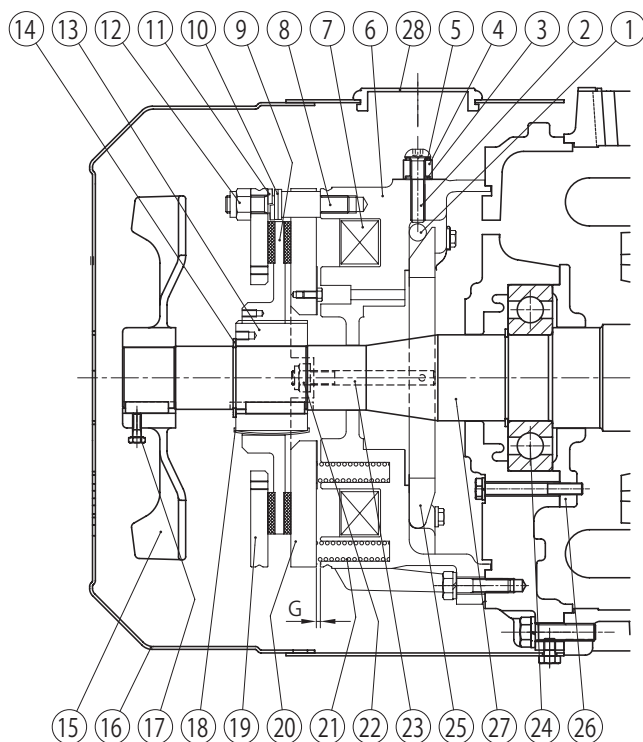


Figure 8-16

Code	Part Name
1	Roller
2	Brake release bolt
3	Rubber packing
4	Manual release prevention spacer
5	Seal washer
6	Stationary core
7	Electromagnetic coil
8	Stud bolt
9	Brake lining
10	Adjusting washer
11	Spring washer
12	Gap adjusting nut
13	Boss
14	Shaft-retaining C-ring
15	Fan
16	Cover
17	Fan set screw
18	Leaf spring
19	Fixed plate
20	Armature plate
21	Spring
22	Nut
23	Tap-end stud
24	Ball bearings
25	Release lever
26	Bearing cover
27	Motor shaft
28	Grommet

- Gap Inspection

- (1) Remove the grommet [28] and cover [16].
- (2) Insert a gap gauge between the stationary core [6] and the armature plate [20], and measure the gap. Measure in 3 locations around the circumference.
- (3) Adjustment is required if the gap value is near the limit.

Gap value G (mm)	
Required value (original value)	Limit value
0.6 – 0.7	1.5

- Gap Adjustment

- (1) Remove the grommet [28] and cover [16].
- (2) Insert a gap gauge between the stationary core [6] and the armature plate [20] and rotate to the right the gap adjusting nuts [12] that are attached to ends of the stud bolts [8]. If large adjustments to the gap are not possible, decrease the number of adjusting washers [10]. There are 3 gap adjusting nuts [12]. Adjust these in turn so that 3 positions on the circumference are uniformly at the required gap.
- (3) Turn the power on and off to check brake action.
- (4) Attach the cover [16] and grommet [28].

■ ESB-250, ESB-250-2 (Indoor Type)

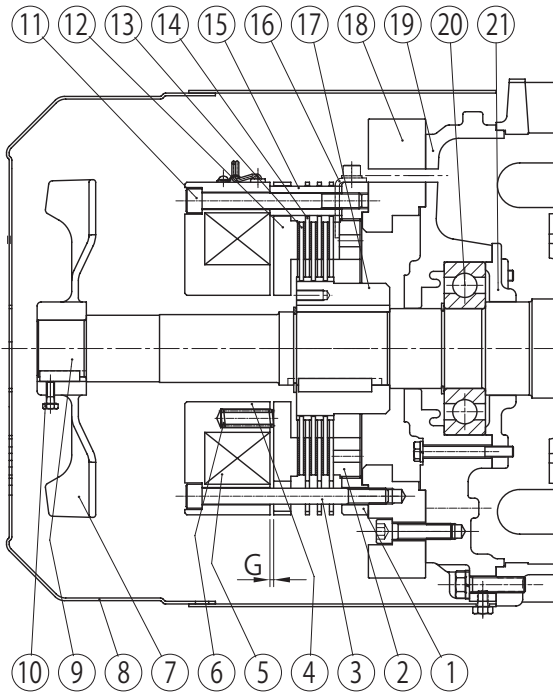


Figure 8-17

Code	Part Name
1	Center ring
2	Gap adjusting screw
3	Attachment bolt
4	Field
5	Brake coil
6	Actuating spring
7	Fan
8	Cover
9	Motor shaft
10	Fan set screw
11	Lock bolt
12	Armature
13	Inner disc
14	Outer disc
15	Spacer bush
16	Stopper
17	Hub
18	Brake adapter plate
19	Opposite drive end cover
20	Opposite drive end bearing
21	Opposite drive end bearing cover

Note: 1. Motor configuration differs for ventilated types.

2. There are 3 of [13][14] for ESB-250 (horizontal types) and 2 for ESB-250-2 (vertical types).

Items	Specifications
Rated input voltage	AC200/220V 50/60Hz
Maximum input voltage	AC240V 50/60Hz
Minimum input voltage	AC170V 50/60Hz
Standard output voltage	Instantaneous voltage
	Steady voltage
Maximum output current	DC1.8A (Steady output)
Over excitation time	0.4 - 1.2 s
Insulation resistance	100MΩ or larger (When measured with 1000V megohmmeter)
Insulation withstand voltage	AC2000V for one time or more
Maximum frequency	Inching
	Constant
Allowable ambient temperature	- 20°C to 60°C

■ Accessory Rectifier (DC power supply unit)

Model HD-110M3

Outline drawing

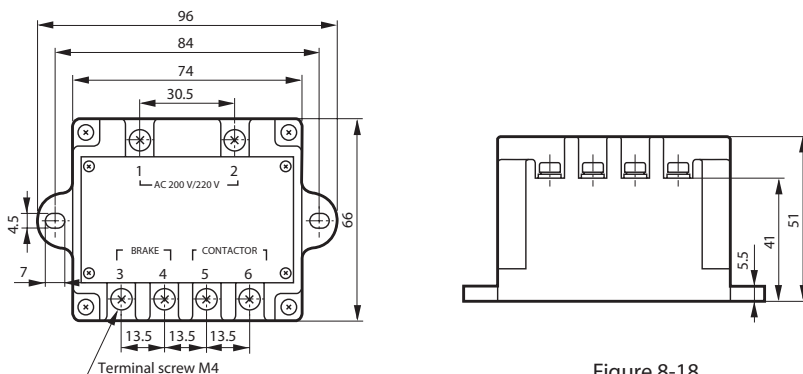
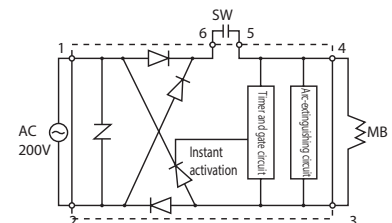


Figure 8-18

Internal circuit (diagram)



Note: 1. Model HD-110M3 is an indoor model. Take care to avoid water, etc.

2. Transformer is necessary for operation with 400V class power source. Secondary voltage is 200 - 220V.



- Gap Inspection

- (1) Remove cover [8].
- (2) Insert a gap gauge between the field [4] and armature [12] and measure the gap. Measure in 4 locations around the circumference.
- (3) Adjustment is required if the gap value is near the limit.

Gap value G (mm)	
Required value (original value)	Limit value
0.7	2.0

- Gap Adjustment

- (1) Manually release the brake following the procedure on P71.
- (2) Loosen the stopper [16] on the periphery of the center ring [1], and remove it. This will free the gap adjusting screws [2].
(See Figure 8-19)
- (3) Insert the gap adjusting bar (customer to prepare an angle plate. See Figure 8-21) from between the outer disc [14] and the center ring [1] into a hole for a gap adjusting screw [2].
Rotating to the left as seen from the field [4] side, will narrow the gap. (See Figure 8-20)
- (4) Six attachment bolts [3] and 6 lock bolts [11] alternately pass through the space between the outer disc [14] and the center ring [1]. Rotating the gap adjusting bar will contact these bolts. There are 8 equally distributed holes for gap adjusting screws [2].
Adjust the gap G to the required value by repeating (3) each time the gap adjusting bar contacts a bolt,.
- (5) Select the point where hole and screw hole are closest to the required gap and attach the stopper [16] there.
- (6) After returning the manual brake release to its original state, turn power on and off to check brake action.
- (7) Attach the fan [7] and cover [8]. At this time coat the fan set screw [10] with Three Bond TB2365.

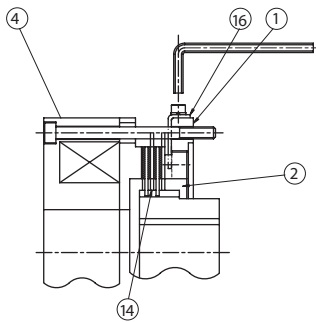


Figure 8-19

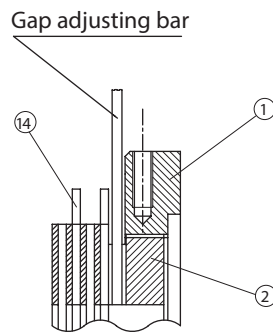


Figure 8-20

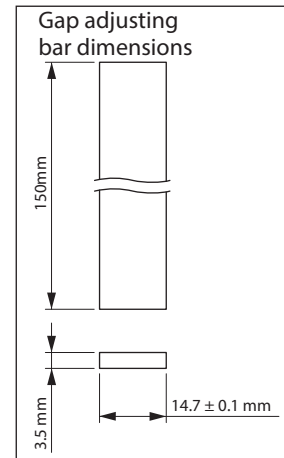


Figure 8-21

■ FB-01A1, FB-02A1, FB-05A1 (Outdoor Type)

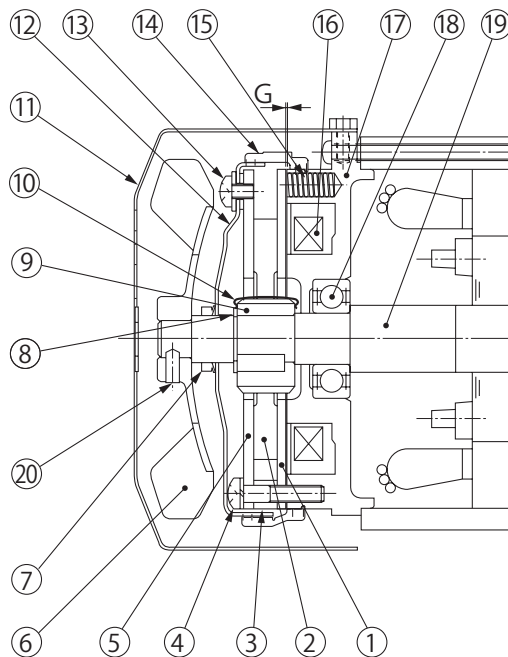


Figure 8-22

Code	Part Name
1	Armature plate
2	Brake lining
3	Spacer
4	Attachment bolt
5	Fixed plate
6	Fan
7	V-ring
8	Shaft retaining C-ring
9	Boss
10	Leaf spring
11	Cover
12	Waterproof cover
13	Waterproof cover attachment bolts
14	Waterproof seal
15	Spring
16	Electromagnetic coil
17	Stationary core
18	Bearing
19	Motor shaft
20	Fan set screw

Note: FB-01A1 does not come with [6][7][20].

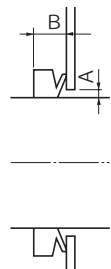
- Gap Inspection

- (1) Remove the cover [11].
- (2) Loosen the fan set screw [20] and remove the fan [6].
- (3) Remove the waterproof seal [14].
- (4) Insert a gap gauge between the stationary core [17] and the armature plate [1], and measure the gap. Measure in 3 locations around the circumference.
- (5) Adjustment is required if the gap value is near the limit.

Gap value G (mm)	
Required value (original value)	Limit value
0.2 – 0.35	0.5

- Gap Adjustment

- (1) Remove the cover [11].
- (2) Loosen the fan set screw [20] and remove the fan [6].
- (3) Remove the waterproof seal [14].
- (4) Pull off the V-ring [7].
- (5) Remove the waterproof cover attachment bolts [13], and remove the waterproof cover [12].
- (6) Slightly loosen the attachment bolts [4] and rotate the fixed plate [5] counter clockwise, as far as it will go. Then tighten the attachment bolts [4]. After tightening, measure the gap (G) and check to see if the gap value is between the required value and the limit. (This operation will reduce the gap by 0.3 mm.)
- (7) Attach the waterproof cover [12] using the attachment bolts [13]. Attach the waterproof cover [12] so that the gap (A) between its hole and the motor shaft [19] is nearly uniform around the circumference.
- (8) Clean the surface of the waterproof seal [14] to remove impurities.
- (9) As shown in the construction diagram, install the waterproof seal [14] between the stationary core [17] and the waterproof cover [12]. Insert the waterproof seal [14] with its arrow mark pointing toward the load side. (Align the hole in the waterproof seal [14] for the release bolt with the position of the release bolt.) Attach the waterproof seal [14] so that its protrusion fits snugly around the entire circumference of the groove for the stationary core [17]. Otherwise water could leak in.
- (10) Turn the power on and off to check brake action.
- (11) Attach the V-ring [7]. Wipe off the lip and surface near the lip of the V-ring [7], lightly coat the the lip contact surface with grease and attach. Observe the attaching dimension (B = 4.5mm).
- (12) Attach the fan [7] and cover [11]. Use a fan set screw [20] coated with Three Bond TB2365 (Sumitomo part number EW444WW-01), and tighten to a torque of 0.3 – 0.5 N·m.



Note: If the the optional brake release bolt is installed, disassemble after removing the release bolt.

■ FB-1D (Outdoor Type)

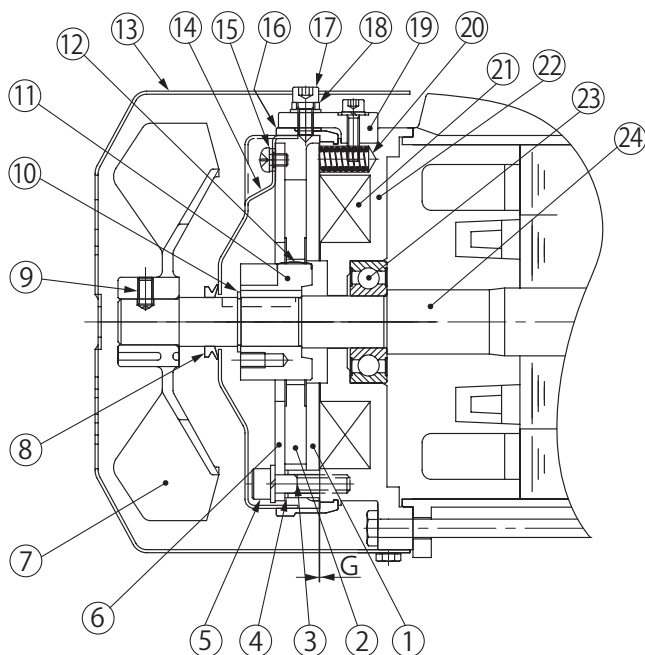


Figure 8-23

Code	Part Name
1	Armature plate
2	Brake lining
3	Spacer
4	Gap adjusting shims
5	Attachment bolt
6	Fixed plate
7	Fan
8	V-ring
9	Fan set screw
10	Shaft retaining C-ring
11	Boss
12	Leaf spring
13	Cover
14	Waterproof cover
15	Waterproof cover attachment bolts
16	Waterproof seal
17	Brake release bolt
18	Manual release protection spacer
19	Brake release
20	Spring
21	Electromagnetic coil
22	Stationary core
23	Bearing
24	Motor shaft

- Gap Inspection

- (1) Remove the brake release bolt [17] and the manual release prevention spacer [18].
- (2) Remove the cover [13].
- (3) Loosen the fan set screw [9] and remove the fan [7].
- (4) Remove the brake release [19]. (2 Places)
- (5) Remove the waterproof seal [16].
- (6) Insert a gap gauge between the stationary core [22] and the armature plate [1], and measure the gap. Measure in 3 locations around the circumference.
- (7) Adjustment is required if the gap value is near the limit.
(Gap adjustment shim thickness is approximately 0.2 – 0.25 mm. Adjustment cannot be made at a lower value.)

Gap value G (mm)	
Required value (original value)	Limit value
0.3 – 0.4	0.6

- Gap Adjustment

- (1) Remove the brake release bolt [17] and the manual release prevention spacer [18].
- (2) Remove the cover [13].
- (3) Loosen the fan set screw [9] and remove the fan [7].
- (4) Pull off the V-ring [8].
- (5) Remove the brake release [19]. (2 Places)
- (6) Remove the waterproof seal [16].
- (7) Remove the waterproof cover attachment bolts [15], and remove the waterproof cover [14].
- (8) Loosen the attachment bolts [5] and remove the spacers [3], gap adjusting shims [4], attachment bolts [5], fixed plate [6] as a set. When removing the attachment bolts [5] make certain not to omit the gap adjustment shims [4].
- (9) The gap adjusting shims [4] have a thickness of 0.2 – 0.25 mm. Reduce the number of shims according to the wear conditions, then reassemble the spacers [3], gap adjustment shims [4], attachment bolts [5] and the fixed plate [6] as a set.
- (10) Check the gap G, and readjust the shims if there is a large difference between it and the required value.
- (11) Attach the waterproof cover [14] using the attachment bolts [15]. Attach the waterproof cover [14] so that the gap (A) between its hole and the motor shaft [24] is nearly uniform.
- (12) Clean the surface of the waterproof seal [16] to remove impurities.
- (13) As shown in the construction diagram, install the waterproof seal [16] between the stationary core [22] and the waterproof cover [14]. Then attach the brake release [19]. Insert the waterproof seal [16] with its arrow mark pointing toward the load side. Align the hole in the waterproof seal [16] for the release bolt with the position of release bolt [17]. Attach the waterproof seal [16] so that its protrusion fits snugly around the entire circumference of the groove for the stationary core [22]. Otherwise water could leak in.
- (14) Turn the power on and off to check brake action.
- (15) Attach the V-ring [8]. Wipe off the lip and surface near the lip of V-ring [8], lightly coat the the lip contact surface with grease, and attach. Observe the attaching dimension (B=4.5mm).
- (16) Attach the fan [7] and cover [13]. Use a fan set screw [9] coated with Three Bond TB2365 (Sumitomo part number EW445WW-01), and tighten to a torque of 0.85 – 1.05 N·m. Finally, attach the brake release bolt [17] and the manual release prevention spacer [18].



■ FB-1E (Outdoor Type)

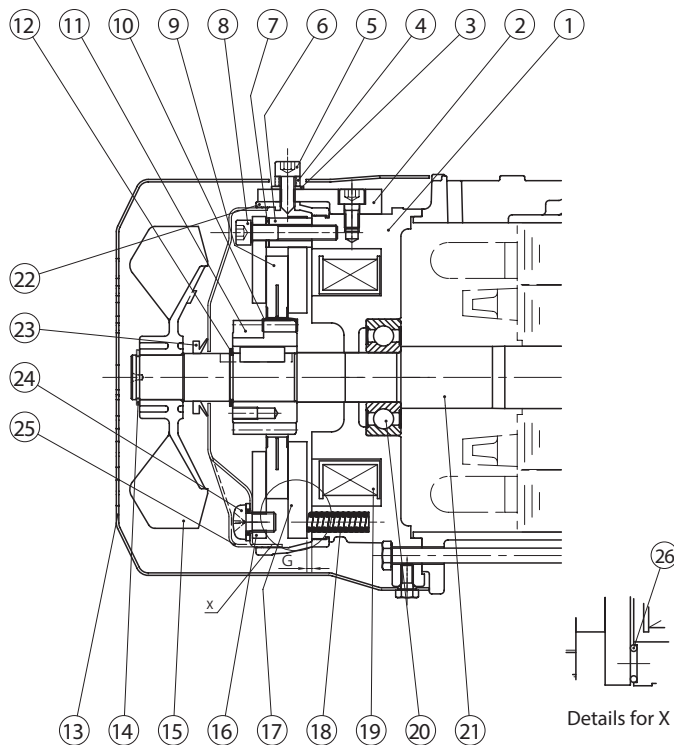


Figure 8-24

Code	Part Name
1	Stationary core
2	Brake release
3	Seal washer
4	Manual release prevention spacer
5	Brake release bolt
6	Spacer
7	Gap adjusting shims
8	Attachment bolt
9	Brake lining
10	Leaf spring
11	Boss
12	Shaft-retaining C-ring
13	Cover
14	Shaft-retaining C-ring
15	Fan
16	Fixed plate
17	Armature plate
18	Spring
19	Electromagnetic coil
20	Ball bearings
21	Motor shaft
22	Waterproof seal
23	V-ring
24	Waterproof cover attachment bolts
25	Waterproof cover
26	Shock absorber

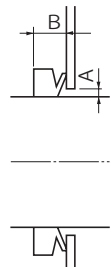
- Gap Inspection

- (1) Remove the brake release bolt [5] and the manual release prevention spacer [4].
- (2) Remove the cover [13].
- (3) Remove the shaft-retaining C-ring [14], and remove the fan [15].
- (4) Remove the brake release [2] (2 locations) and remove the waterproof seal [22].
- (5) Insert a gap gauge between the stationary core [1] and the armature plate [17] and measure the gap. Measure in 3 locations around the circumference.
- (6) Adjustment is required if the gap value is near the limit.
(Gap adjustment shim thickness is approximately 0.2 – 0.25 mm. Adjustment cannot be made at a lower value.)

Gap value G (mm)	
Required value (original value)	Limit value
0.25 – 0.35	0.6

- Gap Adjustment

- (1) Remove the brake release bolt [5] and the manual release prevention spacer [4].
- (2) Remove the cover [13].
- (3) Remove the shaft-retaining C-ring [14], and remove the fan [15].
- (4) Pull off the V-ring [23].
- (5) Remove the brake release [2] (2 locations) and remove the waterproof seal [22].
- (6) Remove the waterproof cover attachment bolts [24], and remove the waterproof cover [25].
- (7) Loosen the attachment bolts [8] and remove the spacers [6], gap adjustment shims [7], attachment bolts [8] and fixed plate [16] as a set. When removing the attachment bolts [8] make certain not to omit the gap adjustment shims [7] or the shock absorber [26].
- (8) The gap adjustment shims [7] have a thickness of 0.2 – 0.25 mm. Reduce the number of shims according to the wear conditions, then reassemble the spacers [6], gap adjustment shims [7], attachment bolts [8] and the fixed plate [16] as a set.
- (9) Check the gap G, and readjust the shims if there is a large difference between it and the required value.
- (10) Attach the waterproof cover [25] using the waterproof cover attachment bolts [24]. At this time align the cutout area on the side of the waterproof cover [25] with the brake release bolt [5]. Attach the waterproof cover [25] so that the gap (A) between its hole and the motor shaft [21] is nearly uniform.
- (11) Clean the surface of the waterproof seal [22] to remove impurities.
- (12) As shown in the construction diagram, install the waterproof seal [22] between the stationary core [1] and the waterproof cover [25]. Then attach the brake release [2]. Insert the waterproof seal [22] with its arrow mark pointing toward the load side. Align the hole in the waterproof seal [22] for the brake release bolt with the position of the release bolt [5]. Attach the waterproof seal [22] so that its protrusion fits snugly around the entire circumference of the groove for the stationary core [1]. (Be careful that the waterproof seal [22] does not meander. Otherwise water could leak in.)
- (13) Turn the power on and off to check brake action.
- (14) Attach the V-ring [23]. Wipe off the lip and surface near the lip of the V-ring [23], lightly coat the the lip contact surface with grease, and attach. Observe the attaching dimension (B=6mm).
- (15) Attach the fan [15], shaft-retaining C-ring [14] and cover [13].
- (16) Finally, attach the brake release bolt [5] and the manual release prevention spacer [4].



■ FB-1HE, FB-2E (Outdoor Type)

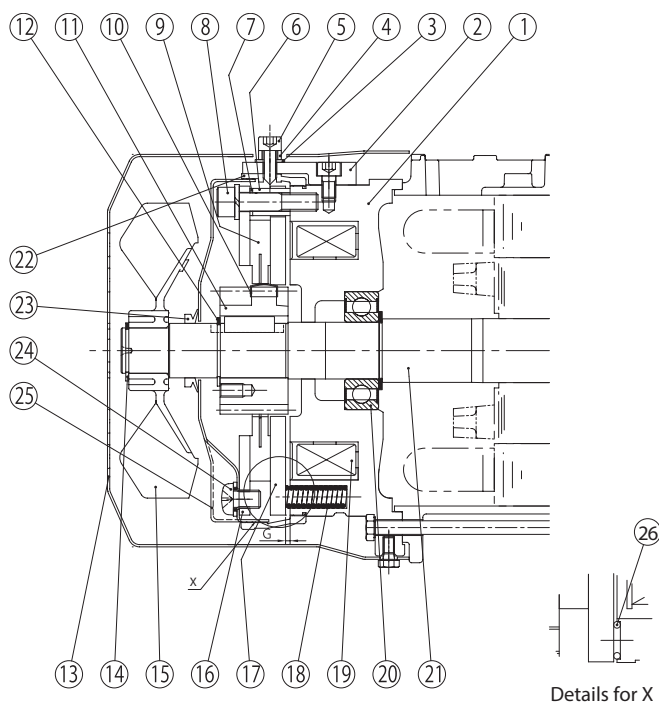


Figure 8-25

Code	Part Name
1	Stationary core
2	Brake release
3	Seal washer
4	Manual release prevention spacer
5	Brake release bolt
6	Spacer
7	Gap adjusting shims
8	Attachment bolt
9	Brake lining
10	Leaf spring
11	Boss
12	Shaft-retaining C-ring
13	Cover
14	Shaft-retaining C-ring
15	Fan
16	Fixed plate
17	Armature plate
18	Spring
19	Electromagnetic coil
20	Ball bearings
21	Motor shaft
22	Waterproof seal
23	V-ring
24	Waterproof cover attachment bolts
25	Waterproof cover
26	Shock absorber

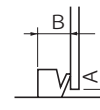
- Gap Inspection

- (1) Remove the brake release bolt [5] and the manual release prevention spacer [4].
- (2) Remove the cover [13].
- (3) Remove the shaft-retaining C-ring [14], and remove the fan [15].
- (4) Remove the brake release [2] (2 locations) and remove the waterproof seal [22].
- (5) Insert a gap gauge between the stationary core [1] and the armature plate [17] and measure the gap. Measure in 3 locations around the circumference.
- (6) Adjustment is required if the gap value is near the limit.
(Gap adjustment shim thickness is approximately 0.35 – 0.45 mm. Adjustment cannot be made at a lower value.)

Gap value G (mm)	
Required value (original value)	Limit value
0.25 – 0.35	0.75

- Gap Adjustment

- (1) Remove the brake release bolt [5] and the manual release prevention spacer [4].
- (2) Remove the cover [13].
- (3) Remove the shaft-retaining C-ring [14], and remove the fan [15].
- (4) Pull off the V-ring [23].
- (5) Remove the brake release [2] (2 locations) and remove the waterproof seal [22].
- (6) Remove the waterproof cover attachment bolts [24], and remove the waterproof cover [25].
- (7) Loosen the attachment bolts [8] and remove the spacers [6], gap adjustment shims [7], attachment bolts [8] and fixed plate [16] as a set. When removing the attachment bolts [8] make certain not to omit the gap adjustment shims [7] or the shock absorber [26].
- (8) The gap adjustment shims [7] have a thickness of 0.35 – 0.45 mm. Reduce the number of shims according to the wear conditions, then reassemble the spacers [6], gap adjustment shims [7], attachment bolts [8] and the fixed plate [16] as a set.
- (9) Check the gap G, and readjust the shims if there is a large difference between it and the required value.
- (10) Attach the waterproof cover [25] using the waterproof cover attachment bolts [24]. At this time align the cutout area on the side of the waterproof cover [25] with the brake release bolt [5]. Attach the waterproof cover [25] so that the gap (A) between its hole and the motor shaft [21] is nearly uniform.
- (11) Clean the surface of the waterproof seal [22] to remove impurities.
- (12) As shown in the construction diagram, install the waterproof seal [22] between the stationary core [1] and the waterproof cover [25]. Then attach the brake release [2]. Insert the waterproof seal [22] with its arrow mark pointing toward the load side. Align the hole in the waterproof seal [22] for the brake release bolt with the position of the release bolt [5]. Attach the waterproof seal [22] so that its protrusion fits snugly around the entire circumference of the groove for the stationary core [1]. (Be careful that the waterproof seal [22] does not meander. Otherwise water could leak in.)
- (13) Turn the power on and off to check brake action.
- (14) Attach the V-ring [23]. Wipe off the lip and surface near the lip of the V-ring [23], lightly coat the the lip contact surface with grease, and attach. Observe the attaching dimension (B=6mm).
- (15) Attach the fan [15], shaft-retaining C-ring [14] and cover [13].
- (16) Finally, attach the brake release bolt [5] and the manual release prevention spacer [4].



■ FB-3E, FB-4E (Outdoor Type)

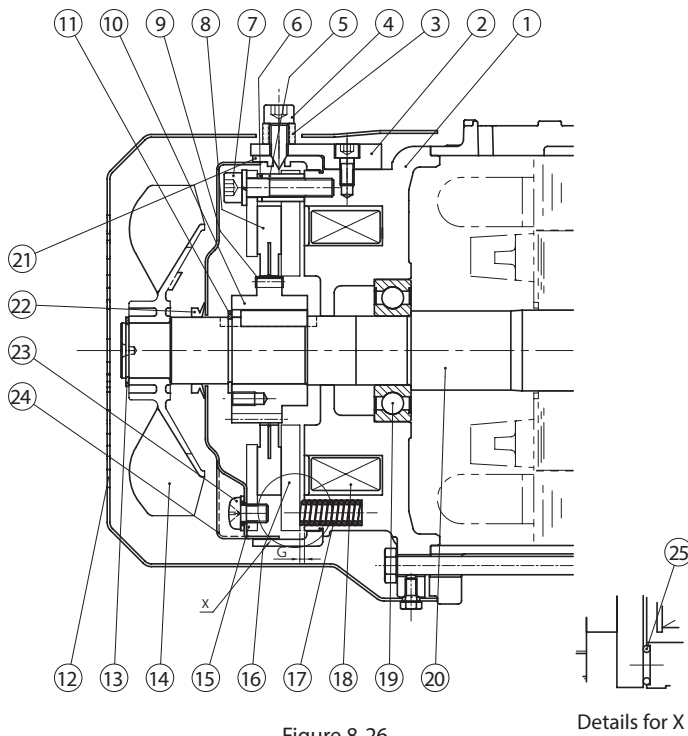


Figure 8-26

Details for X

Code	Part Name
1	Stationary core
2	Brake release
3	Manual release prevention spacer
4	Brake release bolt
5	Spacer
6	Gap adjusting shims
7	Attachment bolt
8	Brake lining
9	Leaf spring
10	Boss
11	Shaft-retaining C-ring
12	Cover
13	Shaft-retaining C-ring
14	Fan
15	Fixed plate
16	Armature plate
17	Spring
18	Electromagnetic coil
19	Ball bearings
20	Motor shaft
21	Waterproof seal
22	V-ring
23	Waterproof cover attachment bolts
24	Waterproof cover
25	Shock absorber

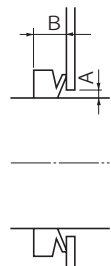
- Gap Inspection

- (1) Remove the brake release bolt [4] and the manual release prevention spacer [5].
- (2) Remove the cover [12].
- (3) Remove the shaft-retaining C-ring [13] and the fan [14].
- (4) Remove the brake release [2] (2 locations) and remove the waterproof seal [21].
- (5) Insert a gap gauge between the stationary core [1] and the armature plate [16] and measure the gap. Measure in 3 locations around the circumference.
- (6) Adjustment is required if the gap value is near the limit.
(Gap adjustment shim thickness is approximately 0.45 – 0.55 mm. Adjustment cannot be made at a lower value.)

Gap value G (mm)	
Required value (original value)	Limit value
0.25 – 0.35	0.85

- Gap Adjustment

- (1) Remove the brake release bolt [4] and the manual release prevention spacer [5].
- (2) Remove the cover [12].
- (3) Remove the shaft-retaining C-ring [13] and the fan [14].
- (4) Pull off the V-ring [22].
- (5) Remove the brake release [2] (2 locations) and remove the waterproof seal [21].
- (6) Remove the waterproof cover attachment bolts [23], and remove the waterproof cover [24].
- (7) Loosen the attachment bolts [7] and remove the spacers [5], gap adjustment shims [6], attachment bolts [7] and fixed plate [15] as a set. When removing the attachment bolts [7] make certain not to omit the gap adjustment shims [6] or the shock absorber [25].
- (8) The gap adjustment shims [6] have a thickness of 0.45 – 0.55 mm. Reduce the number of shims according to the wear conditions, then reassemble the spacers [5], gap adjustment shims [6], attachment bolts [7] and fixed plate [15] as a set.
- (9) Check the gap G, and readjust the shims if there is a large difference between it and the required value.
- (10) Attach the waterproof cover [24] using the waterproof cover attachment bolts [23]. At this time align the cutout area on the side of the waterproof cover [24] with the brake release bolt [4]. Attach the waterproof cover [24] so that the gap (A) between its hole and the motor shaft [20] is nearly uniform.
- (11) Clean the surface of the waterproof seal [21] to remove impurities.
- (12) As shown in the construction diagram, install the waterproof seal [21] between the stationary core [1] and the waterproof cover [24]. Then attach the brake release [2]. Align the hole in the waterproof seal [21] for the brake release bolt with the position of the release bolt [4]. Attach the waterproof seal [21] so that its protrusion fits snugly around the entire circumference of the groove for the stationary core [1]. (Be careful that the waterproof seal [21] does not meander. Otherwise water could leak in.)
- (13) Turn the power on and off to check brake action.
- (14) Attach the V-ring [22]. Wipe off the lip and surface near the lip of the V-ring [22], lightly coat the the lip contact surface with grease, and attach. Observe the attaching dimension (B=6mm).
- (15) Attach the fan [14], shaft-retaining C-ring [13] and cover [12].
- (16) Finally, attach the brake release bolt [4] and the manual release prevention spacer [3].



■ FB-5E, FB-8E (Outdoor Type)

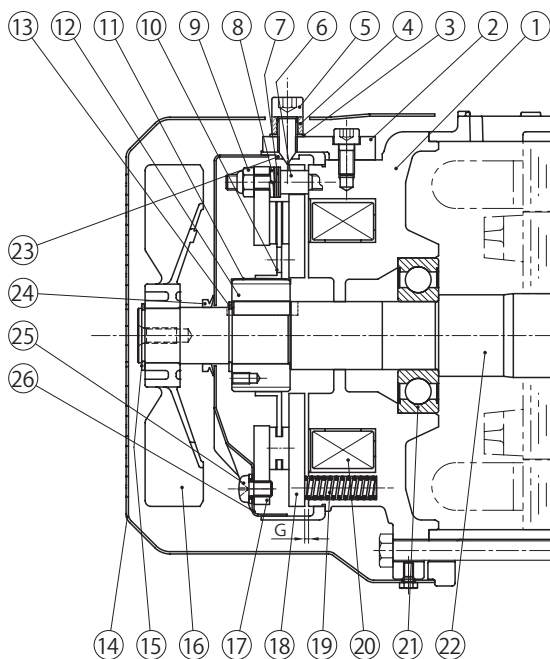


Figure 8-27

Code	Part Name
1	Stationary core
2	Brake release
3	Seal washer
4	Manual release prevention spacer
5	Brake release bolt
6	Stud bolt
7	Adjusting washer
8	Spring washer
9	Gap adjusting nut
10	Brake lining
11	Leaf spring
12	Boss
13	Shaft-retaining C-ring
14	Cover
15	Shaft-retaining C-ring
16	Fan
17	Fixed plate
18	Armature plate
19	Spring
20	Electromagnetic coil
21	Ball bearings
22	Motor shaft
23	Waterproof seal
24	V-ring
25	Waterproof cover attachment bolts
26	Waterproof cover

- Gap Inspection

- (1) Remove the brake release bolt [5] and the manual release prevention spacer [4].
- (2) Remove the cover [14].
- (3) Remove the shaft-retaining C-ring [15] and the fan [16].
- (4) Remove the brake release [2] (2 locations) and remove the waterproof seal [23].
- (5) Insert a gap gauge between the stationary core [1] and the armature plate [18] and measure the gap. Measure in 3 locations around the circumference.
- (6) Adjustment is required if the gap value is near the limit.

- Gap Adjustment

- (1) Remove the brake release bolt [5] and the manual release prevention spacer [4].
- (2) Remove the cover [14].
- (3) Remove the shaft-retaining C-ring [15] and the fan [16].
- (4) Pull off the V-ring [24].
- (5) Remove the brake release [2] (2 locations) and remove the waterproof seal [23].
- (6) Remove the waterproof cover attachment bolts [25], and remove the waterproof cover [26].
- (7) Insert a gap gauge between the stationary core [1] and the armature plate [18] and rotate to the right the gap adjusting nuts [9] that are attached to ends of the stud bolts [6]. If the gap is large, and adjustments are not possible, decrease the number of adjustment washers [7]. There are 3 adjusting nuts [9]. Adjust these in turn so that 3 positions on the circumference are uniformly at the required gap.
- (8) Attach the waterproof cover [26] using the waterproof cover attachment bolts [25]. At this time align the cutout area on the side of the waterproof cover [26] with the brake release bolt [5]. Attach the waterproof cover [26] so that the gap (A) between its hole and the motor shaft [22] is nearly uniform.
- (9) Clean the surface of the waterproof seal [23] to remove impurities.
- (10) As shown in the construction diagram, install the waterproof seal [23] between the stationary core [1] and the waterproof cover [26]. Then attach the brake release [2]. Align the hole in the waterproof seal [23] for the brake release bolt with the position of the release bolt [5]. Next, attach along the machined surfaces around the stationary core [1]. Be careful that the waterproof seal [23] does not meander. Otherwise water could leak in.)
- (11) Turn the power on and off to check brake action.
- (12) Attach the V-ring [24]. Wipe off the lip and surface near the lip of the V-ring [24], lightly coat the the lip contact surface with grease, and attach. Observe the attaching dimension (B=6mm).
- (13) Attach the fan [16], shaft-retaining C-ring [15] and cover [14].
- (14) Finally, attach the brake release bolt [5] and the manual release prevention spacer [4].

Gap value G (mm)	
Required value (original value)	Limit value
0.35 – 0.45	1.0



■ FB-10E, FB-15E (Outdoor Type)

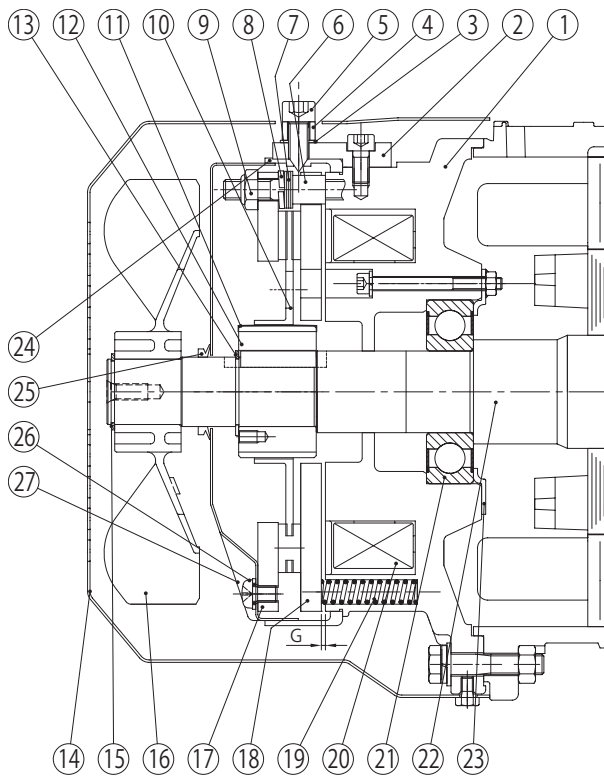


Figure 8-28

Code	Part Name
1	Stationary core
2	Brake release
3	Seal washer
4	Manual release prevention spacer
5	Brake release bolt
6	Stud bolt
7	Adjusting washer
8	Spring washer
9	Gap adjusting nut
10	Brake lining
11	Leaf spring
12	Boss
13	Shaft-retaining C-ring
14	Cover
15	Shaft-retaining C-ring
16	Fan
17	Fixed plate
18	Armature plate
19	Spring
20	Electromagnetic coil
21	Ball bearings
22	Motor shaft
23	Bearing cover
24	Waterproof seal
25	V-ring
26	Waterproof cover attachment bolts
27	Waterproof cover

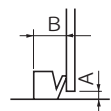
- Gap Inspection

- (1) Remove the brake release bolt [5] and the manual release prevention spacer [4].
- (2) Remove the cover [14].
- (3) Remove the shaft-retaining C-ring [15] and the fan [16].
- (4) Remove the brake release [2] (2 locations) and remove the waterproof seal [24].
- (5) Insert a gap gauge between the stationary core [1] and the armature plate [18] and measure the gap. Measure in 3 locations around the circumference.
- (6) Adjustment is required if the gap value is near the limit.

Gap value G (mm)	
Required value (original value)	Limit value
0.35 – 0.45	1.2

- Gap Adjustment

- (1) Remove the brake release bolt [5] and the manual release prevention spacer [4].
- (2) Remove the cover [14].
- (3) Remove the shaft-retaining C-ring [15] and the fan [16].
- (4) Pull off the V-ring [25].
- (5) Remove the brake release [2] (2 locations) and remove the waterproof seal [24].
- (6) Remove the waterproof cover attachment bolts [26], and remove the waterproof cover [27].
- (7) Insert a gap gauge between the stationary core [1] and the armature plate [18] and rotate to the right the gap adjusting nuts [9] that are attached to ends of the stud bolts [6]. If the gap is large, and adjustments are not possible, decrease the number of adjustment washers [7]. There are 3 adjusting nuts [9]. Adjust these in turn so that 3 positions on the circumference are uniformly at the required gap.
- (8) Attach the waterproof cover [27] using the waterproof cover attachment bolts [26]. At this time align the cutout area on the side of the waterproof cover [27] with position of the brake release bolt [5]. Attach the waterproof cover [27] so that the gap (A) between its hole and the motor shaft [22] is nearly uniform.
- (9) Clean the surface of the waterproof seal [24] to remove impurities.
- (10) As shown in the construction diagram, install the waterproof seal [24] between the stationary core [1] and the waterproof cover [27]. Then attach the brake release [2]. Align the hole in the waterproof seal [24] for the brake release bolt with the position of the release bolt [5]. Next, attach along the machined surfaces around the stationary core [1]. Be careful that the waterproof seal [24] does not meander. Otherwise water could leak in.)
- (11) Turn the power on and off to check brake action.
- (12) Attach the V-ring [24]. Wipe off the lip and surface near the lip of the V-ring [25], lightly coat the the lip contact surface with grease, and attach. Observe the attaching dimension (B=6mm).
- (13) Attach the fan [16], shaft-retaining C-ring [15] and cover [14].
- (14) Finally, attach the brake release bolt [5] and the manual release prevention spacer [4].



■ FB-20 (Outdoor Type)

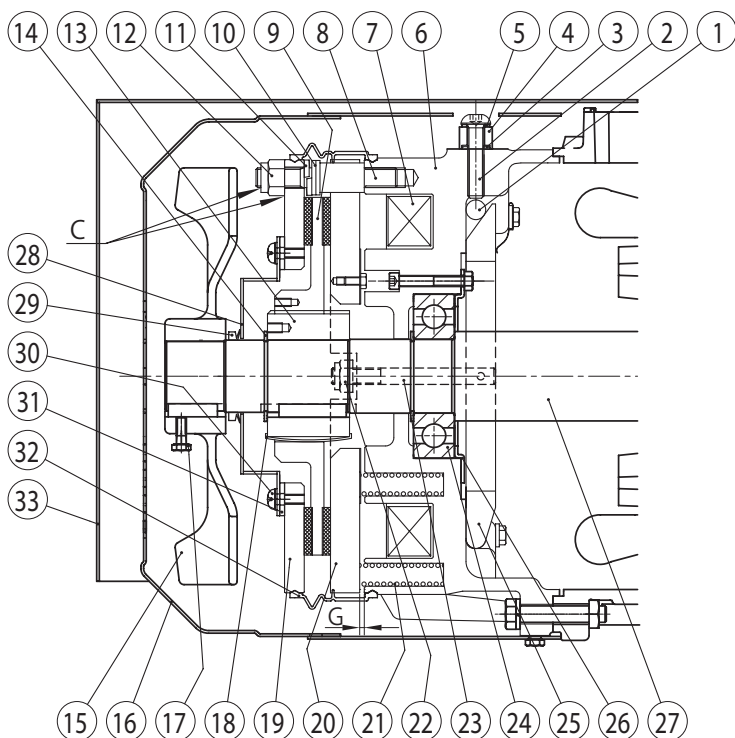


Figure 8-29

Code	Part Name
1	Roller
2	Brake release bolt
3	Rubber packing
4	Manual release prevention spacer
5	Seal washer
6	Stationary core
7	Electromagnetic coil
8	Stud bolt
9	Brake lining
10	Adjusting washer
11	Spring washer
12	Gap adjusting nut
13	Boss
14	Shaft-retaining C-ring
15	Fan
16	Cover
17	Fan set screw
18	Leaf spring
19	Fixed plate
20	Armature plate
21	Spring
22	Nut
23	Tap-end stud
24	Ball bearings
25	Release lever
26	Bearing cover
27	Motor shaft
28	Waterproof cover
29	V-ring
30	Waterproof cover attachment bolts
31	Waterproof cover gasket
32	Waterproof seal
33	Outdoor cover

Note: The shape of the outdoor cover [33] differs for vertical type specification.

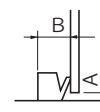
- Gap Inspection

- (1) Remove the outdoor cover [33] and the cover [16].
- (2) Loosen the fan set screw [17] and remove the fan [15].
- (3) Remove the waterproof seal [32].
- (4) Insert a gap gauge between the stationary core [6] and the armature plate [20], and measure the gap. Measure in 3 locations around the circumference.
- (5) Adjustment is required if the gap value is near the limit.

- Gap Adjustment

- (1) Remove the outdoor cover [33] and the cover [16].
- (2) Loosen the fan set screw [17] and remove the fan [15].
- (3) Pull off the V-ring [29].
- (4) Remove the waterproof seal [32].
- (5) Insert a gap gauge between the stationary core [6] and the armature plate [20] and rotate to the right the gap adjusting nuts [12] that are attached to ends of the stud bolts [8]. If large adjustments to the gap are not possible, decrease the number of adjusting washers [10]. There are 3 gap adjusting nuts [12]. Adjust these in turn so that 3 positions on the circumference are uniformly at the required gap.
- (6) Turn the power on and off to check brake action.
- (7) Attach the waterproof cover [28] so that the gap (A) between its hole and the motor shaft [27] is nearly uniform. (Only when the waterproof cover [28] has been removed)
- (8) Clean the surface of the waterproof seal [32] to remove impurities.
- (9) As shown in the construction diagram, install the waterproof seal [32] between the stationary core [6] and the fixed plate [19]. (Be careful that the waterproof seal [32] does not meander. Otherwise water could leak in.)
- (10) Attach the V-ring [29]. Wipe off the lip and surface near the lip of V-ring [29], lightly coat the the lip contact surface with grease, and attach. Observe the attaching dimension (B=7mm).
- (11) Thoroughly coat the gap (C) between the gap adjusting nuts [12], the stud bolts [8] and the fixed plate [19] with waterproof adhesive (Three Bond 1102).
- (12) Attach the fan [15], cover [16] and outdoor cover [33].

Gap value G (mm)	
Required value (original value)	Limit value
0.6 – 0.7	1.5



■ FB-30 (Outdoor Type)

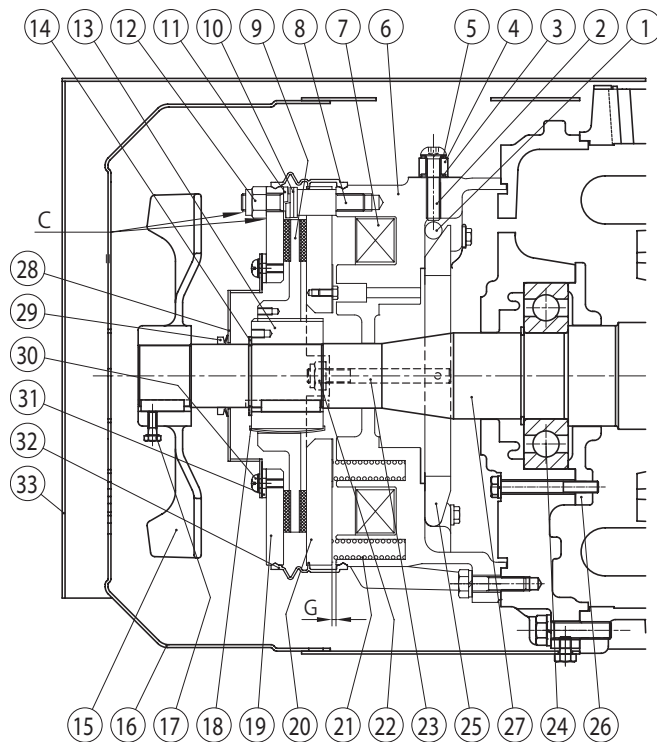


Figure 8-30

Code	Part Name
1	Roller
2	Brake release bolt
3	Rubber packing
4	Manual release prevention spacer
5	Seal washer
6	Stationary core
7	Electromagnetic coil
8	Stud bolt
9	Brake lining
10	Adjusting washer
11	Spring washer
12	Gap adjusting nut
13	Boss
14	Shaft-retaining C-ring
15	Fan
16	Cover
17	Fan set screw
18	Leaf spring
19	Fixed plate
20	Armature plate
21	Spring
22	Nut
23	Tap-end stud
24	Ball bearings
25	Release lever
26	Bearing cover
27	Motor shaft
28	Waterproof cover
29	V-ring
30	Waterproof cover attachment bolts
31	Waterproof cover gasket
32	Waterproof seal
33	Outdoor cover

Note: The shape of the outdoor cover [33] differs for vertical type specification.

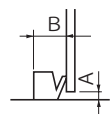
- Gap Inspection

- (1) Remove the outdoor cover [33] and the cover [16].
- (2) Loosen the fan set screw [17] and remove the fan [15].
- (3) Remove the waterproof seal [32].
- (4) Insert a gap gauge between the stationary core [6] and the armature plate [20], and measure the gap. Measure in 3 locations around the circumference.
- (5) Adjustment is required if the gap value is near the limit.

- Gap Adjustment

- (1) Remove the outdoor cover [33] and the cover [16].
- (2) Loosen the fan set screw [17] and remove the fan [15].
- (3) Pull off the V-ring [29].
- (4) Remove the waterproof seal [32].
- (5) Insert a gap gauge between the stationary core [6] and the armature plate [20] and rotate to the right the gap adjusting nuts [12] that are attached to ends of the stud bolts [8]. If large adjustments to the gap are not possible, decrease the number of adjusting washers [10]. There are 3 gap adjusting nuts [12]. Adjust these in turn so that 3 positions on the circumference are uniformly at the required gap.
- (6) Turn the power on and off to check brake action.
- (7) Attach the waterproof cover [28] so that the gap (A) between its hole and the motor shaft [27] is nearly uniform. (Only when the waterproof cover [28] has been removed)
- (8) Clean the surface of the waterproof seal [32] to remove impurities.
- (9) As shown in the construction diagram, install the waterproof seal [32] between the stationary core [6] and the fixed plate [19]. (Be careful that the waterproof seal [32] does not meander. Otherwise water could leak in.)
- (10) Attach the V-ring [29]. Wipe off the lip and surface near the lip of V-ring [29], lightly coat the the lip contact surface with grease, and attach. Observe the attaching dimension (B=7mm).
- (11) Thoroughly coat the gap (C) between the gap adjusting nuts [12], the stud bolts [8] and the fixed plate [19] with waterproof adhesive (Three Bond 1102).
- (12) Attach the fan [15], cover [16] and outdoor cover [33].

Gap value G (mm)	
Required value (original value)	Limit value
0.6 – 0.7	1.5



■ ESB-250, ESB-250-2 (Outdoor Type)

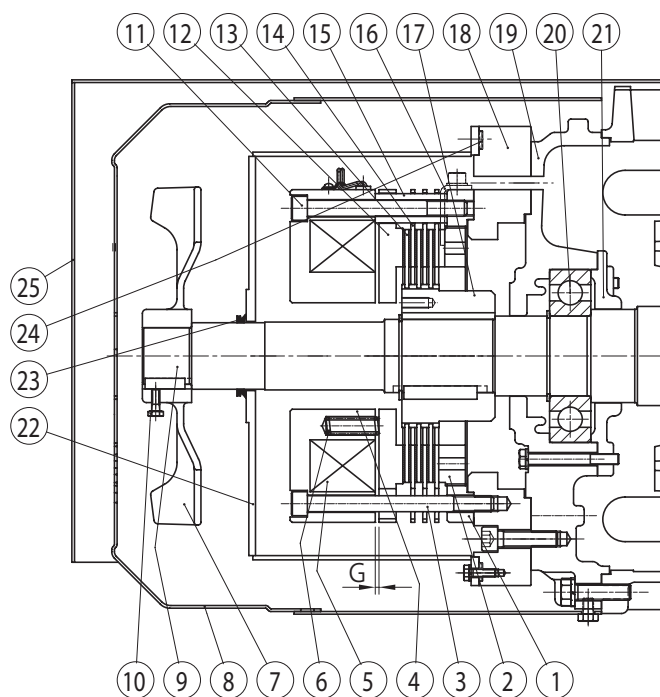


Figure 8-31

Code	Part Name
1	Center ring
2	Gap adjusting screw
3	Attachment bolt
4	Field
5	Brake coil
6	Actuating spring
7	Fan
8	Cover
9	Motor shaft
10	Fan set screw
11	Lock bolt
12	Armature
13	Inner disc
14	Outer disc
15	Spacer bush
16	Stopper
17	Hub
18	Brake adapter plate
19	Opposite drive end cover
20	Opposite drive end bearing
21	Opposite drive end bearing cover
22	Brake cover
23	V-ring
24	Brake cover gasket
25	Outdoor cover

Note: 1. Motor configuration differs for ventilated types.

2. There are 3 of [13][14] for ESB-250 (horizontal types) and 2 for ESB-250-2 (vertical types).

3. The outdoor cover [25] for ESB-250-2 (the vertical types) has a different shape.

Items	Specifications
Rated input voltage	AC200/220V 50/60Hz
Maximum input voltage	AC240V 50/60Hz
Minimum input voltage	AC170V 50/60Hz
Standard output voltage	Instantaneous voltage DC180V (for AC200V input)
	Steady voltage DC90V (for AC200V input)
Maximum output current	DC1.8A (Steady output)
Over excitation time	0.4 – 1.2 s
Insulation resistance	100MΩ or larger (When measured with 1000V megohmmeter)
Insulation withstand voltage	AC2000V for one time or more
Maximum frequency	Inching When on-time 1.2 s or less: 8 cycles/min
	Constant When on-time exceeds 1.2 s: 30 cycles/min
Allowable ambient temperature	-20°C to 60°C

■ Accessory Rectifier (DC power supply unit)

Model HD-110M3

Outline drawing

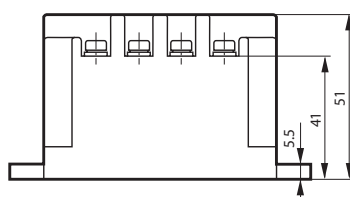
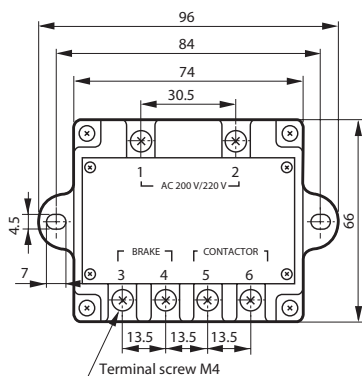
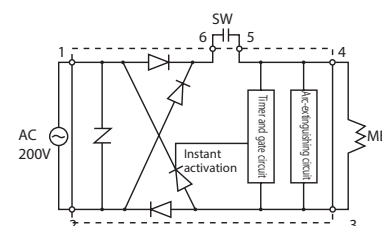


Figure 8-32

Internal circuit (diagram)



Note: 1. Model HD-110M3 is an indoor model. Take care to avoid water, etc.

2. Transformer is necessary for operation with 400V class power source. Secondary voltage is 200 – 220V.



8. Daily Inspection and Maintenance

- Gap Inspection

- (1) Remove the outdoor cover [25] and the cover [8].
- (2) Loosen the fan set screw [10] and remove the fan [7].
- (3) Pull off the V-ring [23] and remove the brake cover [22].
- (4) Insert a gap gauge between the field [4] and the armature [12] and measure the gap. Measure in 4 locations around the circumference.
- (5) Adjustment is required if the gap value is near the limit.

Gap value G (mm)	
Required value (original value)	Limit value
0.7	2.0

- Gap Adjustment

- (1) Manually release the brake following the procedure on P71.
- (2) Loosen the stopper [16] on the periphery of the center ring [1], and remove. This will free the gap adjusting screws [2]. (See Figure 8-33)
- (3) Insert the gap adjusting bar (customer to prepare an angle plate. See Figure 8-35) from between the outer disc [14] and the center ring [1] into a hole for a gap adjusting screw [2]. Rotating to the left as seen from the field [4] side, will narrow the gap. (See Figure 8-34)
- (4) Six attachment bolts [3] and lock bolts [11] alternately pass through the space between the outer disc [14] and the center ring [1]. Rotating the gap adjusting bar will contact these bolts. There are 8 equally distributed holes for gap adjusting screws [2]. Adjust the gap G to the required value by repeating (3) each time the gap adjusting bar contacts a bolt.
- (5) Select the point where hole and screw hole are closest to the required gap and attach the stopper [16] there.
- (6) After returning the manual brake release to its original state, turn power on and off to check brake action.
- (7) Attach the brake cover [22], V-ring [23], fan [7], fan set screw [10], cover [8] and outdoor cover [25]. At this time coat the fan set screw [10] with Three Bond TB2365.

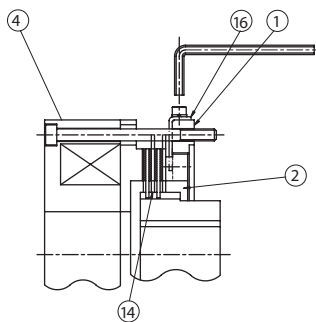


Figure 8-33

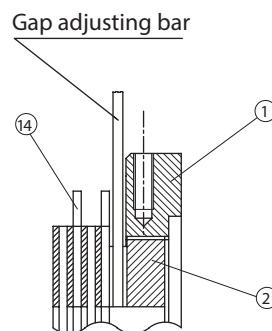


Figure 8-34

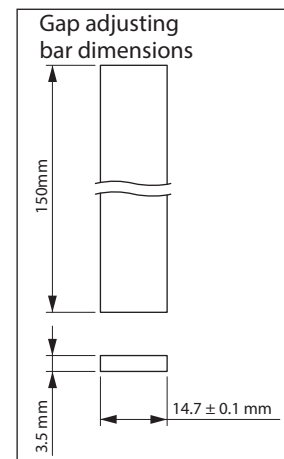


Figure 8-35

8-9 Changing the Brake Lining and Inner Disc

If the following conditions occur ask the nearest authorized service station to exchange the brake linings and inner discs with new ones.

(1) FB Brakes (excluding FB-01A1, FB-02A1, FB-05A1), ESB-250, ESB-250-2

When the thickness of brake lining (FB brake) or inner disc (ESB-250) reaches the use limit thickness in Table 8-18

(2) FB-01A1, FB-02A1, FB-05A1

When after gap adjustment the brake gap still reaches the limit (see P47, P58)

Table 8-18 Brake Lining, Inner Disc Dimensions

Brake type	Brake lining Inner disc Dimension drawing	Original thickness		Usable thickness limit	
		t_0 (mm)	t_1 (mm)	t_0 (mm)	t_1 (mm)
FB-01A1, FB-02A1, FB-05A1		7.0	-	-	-
FB-1D				6.0	
FB-1E		8.8		7.8	
FB-1HE, FB-2E		9.0		8.0	
FB-3E, FB-4E		10.4		8.4	
FB-5E, FB-8E		10		6.0	
FB-10E, FB-15E		11		7.0	
FB-20, FB-30		16		12	
ESB-250 ESB-250-2		6.0	1.5	3.6	0.3

- Brake torque may not be at the prescribed level during initial operation. In such case, turn motor and brake power on and off under the lightest possible load, to rub the brake lining and the inner disc friction surfaces.
- When changing the brake lining and the inner disc, change the boss and leaf springs (for FB-5E – FB-15E, FB-20, FB-30, include the gap adjusting nuts) as a set.
- After 2 million or more cycles of operation, (for FB-30, ESB-250 1 million cycles or more), or after 10 years or more have passed since shipment from the factory, inspect to check whether continued operation is possible, even if the lining or the inner disc is not at the usable thickness limit.
- Check the following items concerning the condition of each mechanical part.
 - Are the material of linings split or chipped?
 - Is there any peeling or gap between the material of lining and the disc?
 - Does the spline unit of the brake lining and the inner disc exhibit any cracking, chipping, or stepped wear?
 - Is there any stepped wear on the surfaces around the stud bolts or armature plate?
- Change the brake lining and the inner disc, even if it has not reached the usable thickness limit, if 10 or more years have elapsed since the manufacturing date and the brake is used outdoors or in a high-humidity environment, or if it is stored or rested for a long period of time.

8-10 Changing the V-Ring and Waterproof Seal (Outdoor Type)

V-rings and waterproof seals degrade over the years, losing their waterproofing abilities. As a guideline contact the nearest authorized service station every 3 years. If the sliding surfaces of oil seals or V-rings show signs of wear or corrosion, replace them with new ones. Sliding surfaces are made of carbon steel, so rain water, condensation and other factors could cause rust to form and spread. Because this could lead to oil seal damage, take on-going rust prevention measures.



8. Daily Inspection and Maintenance

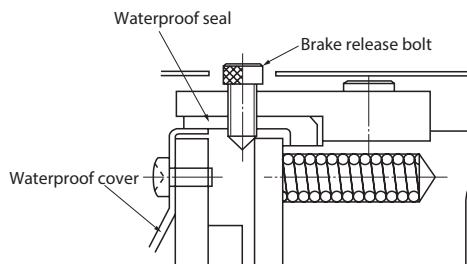
8-11 Manually Releasing the Brake

To manually release the brake with the power off, operate the brake release mechanism as shown below.

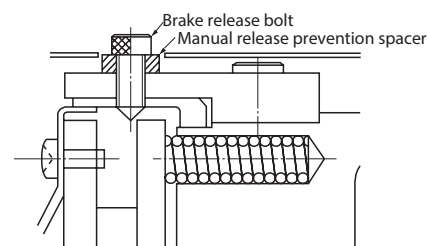
■ FB Brakes (excluding FB-20, FB-30) (FB-01A1 – FB-05A1 are options)

- (1) First remove the brake release bolts from the 2 opposing angles and remove the release prevention spacers. Reinsert the bolts and rotate with a hexagonal wrench to release the brake. Be careful not to over rotate the brake release bolts. (Rotate the brake release bolts while checking to see if the brake is released. (See Figures 8-36, 8-37)
- (2) After releasing the brake, to return it to its original condition, for safety, return the manual release prevention spacers that were removed in (1) to their original positions. (See Figure 8-37)
- (3) This table shows brake release bolt sizes.

Brake type	Bolt size
FB-01A1, FB-02A1, FB-05A1 FB-1D	M5
FB-1E, FB-1HE, FB-2E	M6
FB-3E, FB-4E	M8
FB-5E, FB-8E, FB-10E, FB-15E	M10



When released
Figure 8-36



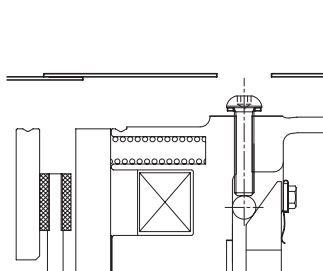
When operating
Figure 8-37

Note: Indoor types do not come with waterproof seals or waterproof covers.

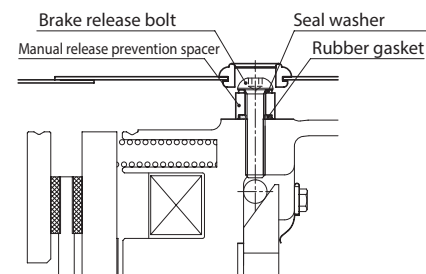
■ FB-20, FB-30

- (1) In the case of outdoor types, remove the lid on the window part of the the outdoor cover [33]. Remove the grommet [28] (indoor type), remove the brake release bolt [2] using a hexagonal wrench (for an M8 hole bolt), and remove the rubber gasket [3] and the manual release prevention spacer [4]. The brake will release when you again rotate the bolt using the hexagonal wrench. Be careful not to over rotate the brake release bolt. (Rotate the brake release bolt [2] while checking to see if the brake is released.) (See Figure 8-38)
- (2) After releasing the brake, to return it to its original condition, for safety, return the manual release prevention spacer and the rubber gasket [3] that were removed in (1) to their original positions, and firmly tighten the brake release bolt [2]. (See Figure 8-39) Next re-attach the grommet [28] (indoor type) in its original state. In the case of outdoor types, attach the lid on the window part of the the outdoor cover [33] as it was before.

- Note that if the rubber gasket [3] and the seal washer [5] for the brake release bolt [2] unit are not attached when returning to the original state, dust-proofing and waterproofing capabilities will be lost. Also, firmly tighten the brake release bolt [2]. Otherwise waterproofing capability may be lost. Also make certain to return the grommet [28] (indoor type) or outdoor cover [33] window lid (outdoor type) to their original states.
- If the machine is operated when the brake release bolt has not been returned to its original position, in the worst case it is possible that the manual release would function before maximum gap is obtained, and the brake would cease to function. Therefore, make certain to always operate with the manual release prevention spacer attached.



When released
Figure 8-38



When operating
Figure 8-39

■ ESB-250, ESB-250-2

- (1) In the case of outdoor types, remove outdoor cover [25]. Remove the cover [8], fan [7], and brake cover [22] (outdoor type).
- (2) Insert M12×65 hexagon socket head bolts (customer to prepare) through the manual releasing holes, to the field. (Note that if the hexagon socket head bolts are too long they will hit the outer disc and deform it.)
- (3) There are two manual release holes at opposing angles. Using a hexagonal wrench equally tighten the bolts in turn.
- (4) To release the brake, tighten the bolts until the armature and field stick together.
- (5) After returning the brake to its original state, attach the brake cover [22] (outdoor type), fan [7], and cover [8].

At this time coat the fan set screw [10] with Three Bond TB2365.

In the case of outdoor types, attach the outdoor cover as it was before.

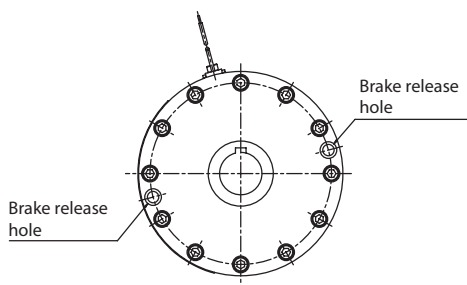


Figure 8-40

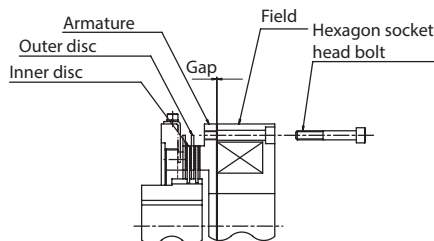


Figure 8-41

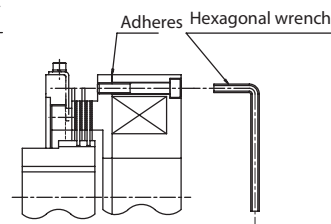


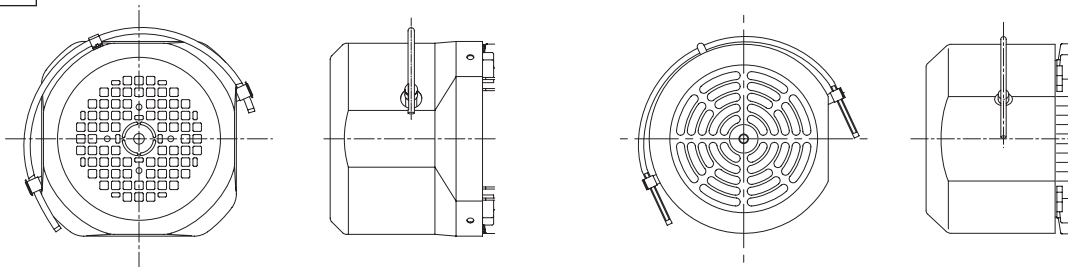
Figure 8-42

■ One-Touch Release Lever Method (Optional on all FB brakes except FB-20, FB-30)

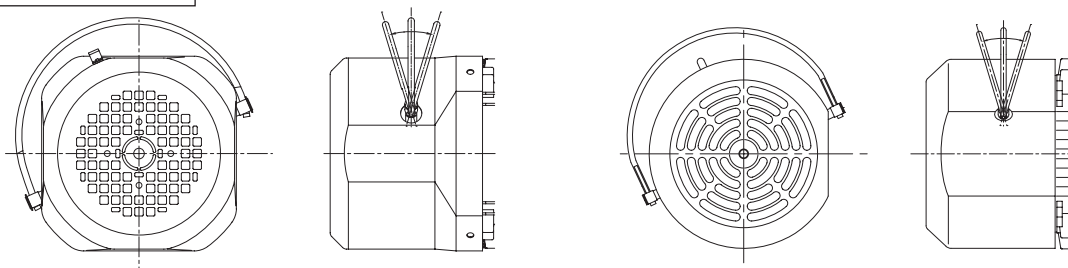
- (1) To release the brake, pull the release lever out of the holder, and push it toward the load or anti-load side. (Some specifications do not allow pushing the release lever toward the load side.)
Be careful not to push the lever too far. Pushing the lever too far could damage the brake.
(Push the release lever while checking to see if the brake is released.)
- (2) When operating the motor make certain to return the lever to its original position and set it inside the holder. Start operation after confirming that the brake operates properly.

Note: The brake is released while the lever is tilted by a hand, and it works when the lever is released the hold.

When operating



When brake is manually released



Premium efficiency motor

Other than premium efficiency motor

Figure 8-43

If any abnormal condition occurs, refer to Table 9-1, 9-2 and promptly take appropriate measures.

If these actions do not remedy the issue, immediately contact the nearest authorized service station.

Table 9-1 Troubleshooting

Problem		Cause	Correction	
The motor will not operate under no load		Power failure	Contact the electric power company.	
		Defective electric circuit	Check the circuit.	
		Blown fuse	Replace the fuse.	
		Protective device is engaged	Fix the problem and recover.	
		Load locking	Check the load and safety device.	
		Poor switch contact	Adjust the contact unit.	
		Motor stator coil disconnect	Confer with authorized service station.	
		Bearing damage	Confer with authorized service station.	
		3-phase is functioning as single-phase	Check the power supply with a voltmeter. Check the motor, transformer coil, contactor, fuse, etc. and repair or replace them.	
		Friction surface of brake is corroded	Request brake cleaning from authorized service station.	
		Incorrect brake gap adjustment	Re-adjust brake gap. (See P47 – 68)	
The motor rotates without a load but the slow speed shaft does not rotate		Damage to gear unit due to overloading of gears, etc.	Confer with authorized service station.	
The slow speed shaft turns without a load	When a load is applied	The switch overheats	Insufficient switch capacity Overload	Replace with specified switch. Decrease the load to the specified value.
		Fuse tripping	Insufficient fuse capacity Overload	Replace with specified fuse. Decrease the load to the specified value.
	The speed will not increase and the motor is overheating		Voltage drop	Contact the electric power company.
			Overload	Decrease the load to the specified value.
			Short-circuited motor stator coil	Confer with authorized service station.
	It stops		The key is not inserted	Insert key.
			Bearing burnout	Confer with authorized service station.
			Poor adjustment of protection device	Adjust the protection device.
	The motor runs in the reverse direction		Wiring error	Change the connection.
	Fuse tripping		The lead wire is short circuited.	Confer with authorized service station.
			Poor contact between motor and starter	Make good connection.
	Excessive temperature rise		Overload	Decrease the load to the specified value.
			Voltage drop or rise	Contact the electric power company.
The ambient temperature is high			Improve the ventilation method.	
Damaged bearing			Confer with authorized service station.	
Abnormal wear of reducer parts due to overload, etc.			Confer with authorized service station.	
Oil leakage	Blot or drip of a small amount of oil or grease at seal section of high speed or slow speed shaft		Grease applied to the oil seal seeps out at first Wipe off around the oil seal, and observe.	
	Leakage of oil or grease from high speed or slow speed shaft section		Damaged oil seal or maybe damaged shaft (or collar) Confer with authorized service station.	
	Leakage of oil/grease from the contact surfaces of ring gear housing and casing, etc.		Loose fastener bolts Tighten fastener bolts correctly.	
	Leakage of oil/grease into motor		Damage to oil seals, or slinger collar	Confer with authorized service station.
Excessive oil supply			Remove oil.	

Table 9-2 Troubleshooting

Problem		Cause	Correction
Abnormal sound Excessive vibration		Dust and foreign matter in bearings, or damaged bearings	Confer with authorized service station.
		Reducer parts grinding on foreign matter	Confer with authorized service station.
		Reducer parts are damaged	Confer with authorized service station.
		Warping of housing because the installation surface is not flat	Make the installation base flat or make adjustment using liners, etc.
		Resonance due to insufficient rigidity of installation base	Reinforce the installation base to increase rigidity.
		Nonalignment of shaft with driven machine	Align the shaft centers.
		Transmission of vibration from the driven machine	Individually operate the products to check the source of the sound.
With torque limiter, makes chattering sound		In rare cases this will occur in a low load range. The influence of load fluctuation and vibration from the device causes it.	Performance and lifetime are not affected. It is OK to continue operation.
Abnormal motor sounds		Foreign objects have entered	Confer with authorized service station.
		Bearing damage	Confer with authorized service station.
		Improper brake gap adjustment	Adjust the brake gap. (See P47 – 68)
		Brake lining or inner disc wear	Request brake lining or inner disc replacement from an authorized service station.
		Brake unit electromagnetic coil burnout	Confer with authorized service station.
		Rectifier damage	Confer with authorized service station.
		Leaf spring in the brake boss unit has come off or is damaged	Confer with authorized service station.
Brake is ineffective	Does not activate	Forgot to restore the brake release bolt to its original position	Restore the release bolt.
		Improper adjustment after disassembly	Request authorized service station to re-adjust.
	Slips (Braking takes a long time)	Not using the quick braking circuit	Change to quick braking circuit. (See P20 – 29)
		Foreign objects in brake lining or inner disc unit, oil adhesion	Request cleaning from authorized service station.
		Brake lining or inner disc wear	Adjust the brake gap. Request brake lining or inner disc replacement from an authorized service station.
		Brake gap not uniform	Adjust the brake gap.
		Overload	Decrease the load to the specified value.
Brake release bolt not sufficiently restored	Restore the release bolt.		
Tripping Inverter	Overcurrent shut-off	Sudden speed changes	Increase the time for speed changes.
		Extreme load fluctuation	Decrease load fluctuation.
	Overcurrent due to ground fault	Ground fault on out side	Take measures to prevent ground fault.
	Direct current overcurrent	Short on output side	Take measures to prevent short. Inspect wiring.
	Regenerative overvoltage shut-off	Sudden speed reduction	Increase the time for speed reduction. Decrease brake frequency.
Thermal operation	Overload	Decrease the load to the specified value.	

10-1 Gear Unit Construction Drawings (Single Reduction, Double Reduction)

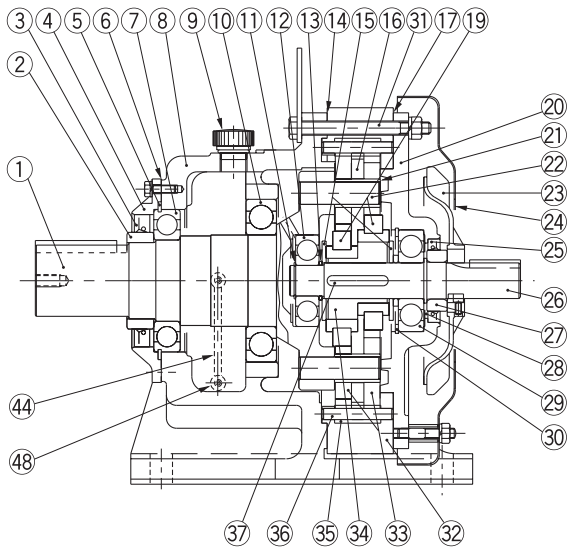


Figure 10-1 Type CHH (Horizontal, Reducer), Single Reduction (Example: Frame size 6175)

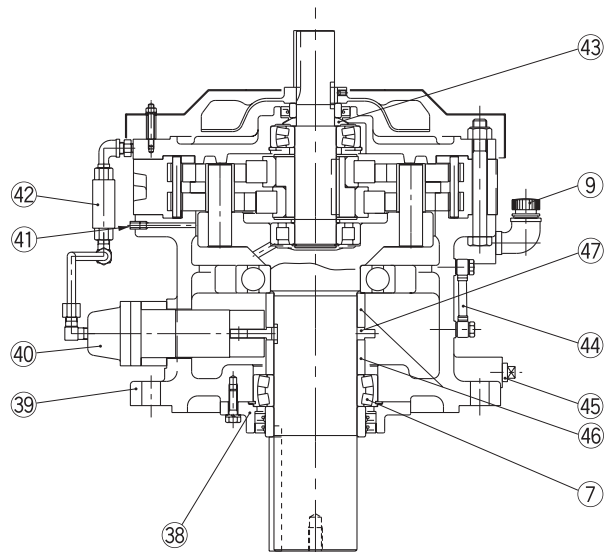


Figure 10-2 Type CVV (Vertical, Reducer), Single Reduction (Example: Frame size 6225)

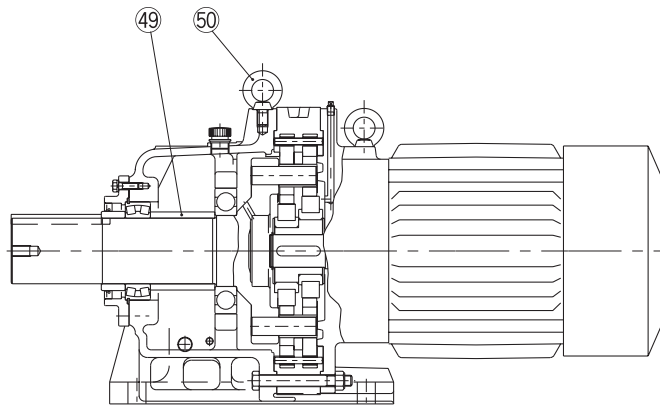
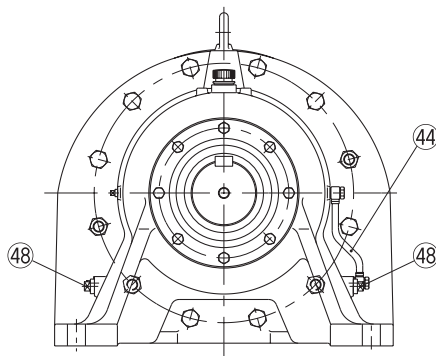


Figure 10-3 Type CHHM (Horizontal, Gearmotor), Single Reduction (Example: Frame size 6225)

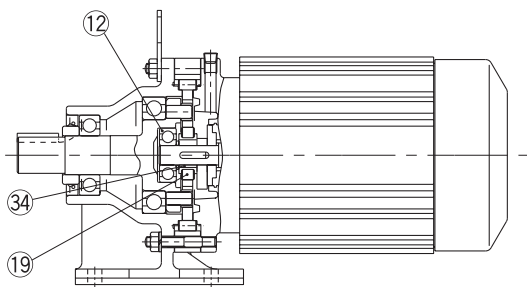


Figure 10-4 Type CNHM (Horizontal, Gearmotor), Single Reduction (Example: Frame size 6095)

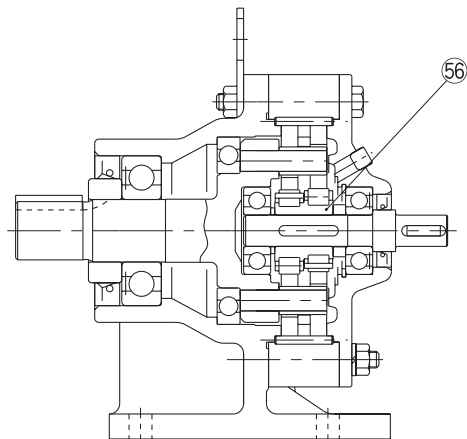


Figure 10-5 Type CNH (Horizontal, Reducer), Single Reduction (Example: Frame size 6105)

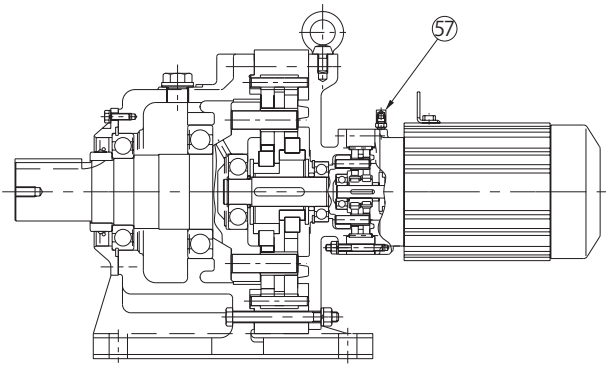


Figure 10-6 Type CHHM (Horizontal, Gearmotor), Double Reduction
(Example: Frame size 6185DA)

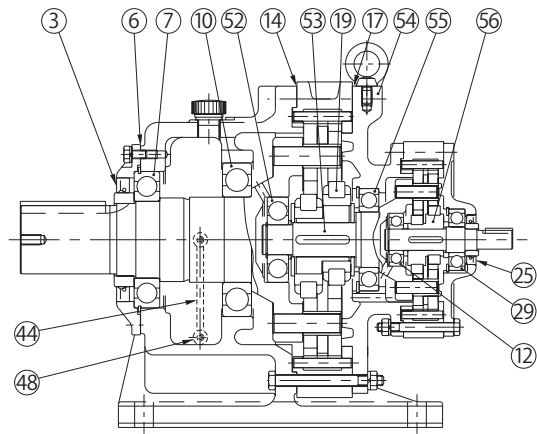


Figure 10-7 Type CHH (Horizontal, Reducer), Double Reduction
(Example: Frame size 6185DB)

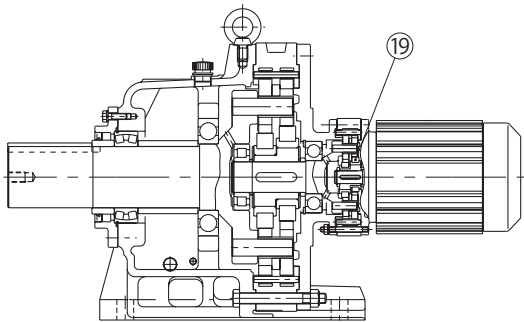


Figure 10-8 Type CHHM (Horizontal, Gearmotor), Double Reduction
(Example: Frame size 6225DB)

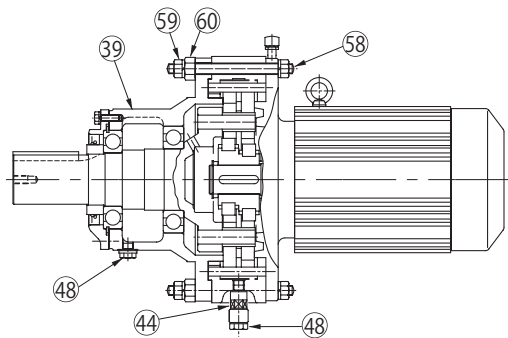


Figure 10-9 Type CHF (Horizontal, Reducer), Single Reduction
(Example: Frame size 6165)

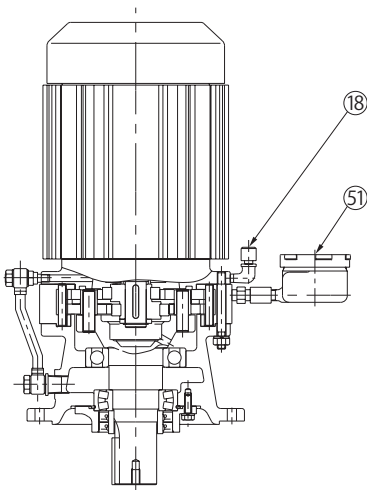


Figure 10-10 Type CVVM (Vertical, Gearmotor), Single Reduction
(Example: Frame size 6145)

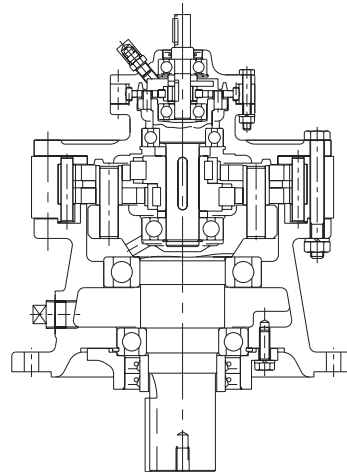


Figure 10-11 Type CVV (Vertical, Reducer), Double Reduction
(Example: Frame size 6135DA)

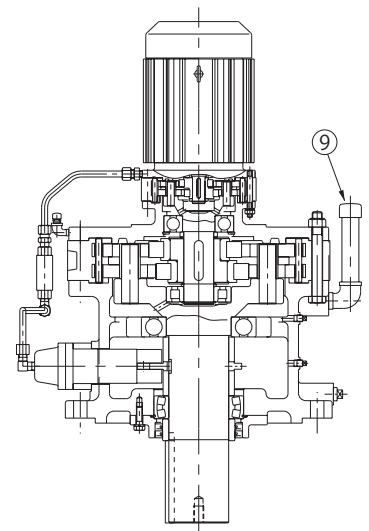


Figure 10-12 Type CVVM (Vertical, Gearmotor), Double Reduction
(Example: Frame size 6225DA)

Table 10-1 Gear Unit, Principal Parts Single Reduction, Double Reduction

Code	Part Name	Code	Part Name	Code	Part Name	Code	Part Name	Code	Part Name
1	Slow speed shaft (Output shaft)	13	Spacer ring	25	Oil seal	37	Parallel key	49	Spacer ring
2	Collar	14	Gasket B	26	High speed shaft	38	Gland	50	Eye-bolt
3	Oil seal	15	End plate	27	Collar	39	Flanged casing	51	Oil fill cup
4	Slow speed end cap	16	Spacer ring	28	Spacer ring	40	Plunger pump	52	Intermediate shaft bearing A
5	Retaining ring	17	Gasket C	29	High speed shaft bearing B	41	Air vent plug	53	Intermediate shaft
6	Gasket A	18	Air vent plug	30	Retaining ring for opening	42	Oil signal	54	Intermediate cover
7	Slow speed shaft bearing A	19	Bearing for eccentric	31	Upper bolt	43	Oil slinger	55	Intermediate shaft bearing B
8	Horizontal casing	20	Internal cover	32	Ring gear housing	44	Oil gauge	56	Eccentric cam (double)
9	Oil filter plug	21	Slow speed shaft roller	33	Cycloid disc	45	Plug (Oil drain port)	57	Grease fitting (with cap)
10	Slow speed shaft bearing B	22	Slow speed shaft pin	34	Eccentric	46	Spacer ring	58	Bolts for ring gear housing (Flange type)
11	Retaining ring for shaft	23	Cooling fan	35	Ring gear roller	47	Cam	59	Disassembly prevention nut (Flange type)
12	High speed shaft bearing A	24	Fan cover	36	Ring gear pin	48	Plug (Oil drain port)	60	Spacer replacement nut (Flange type)

10-2 Gear Unit Construction Drawings (Triple Reduction)

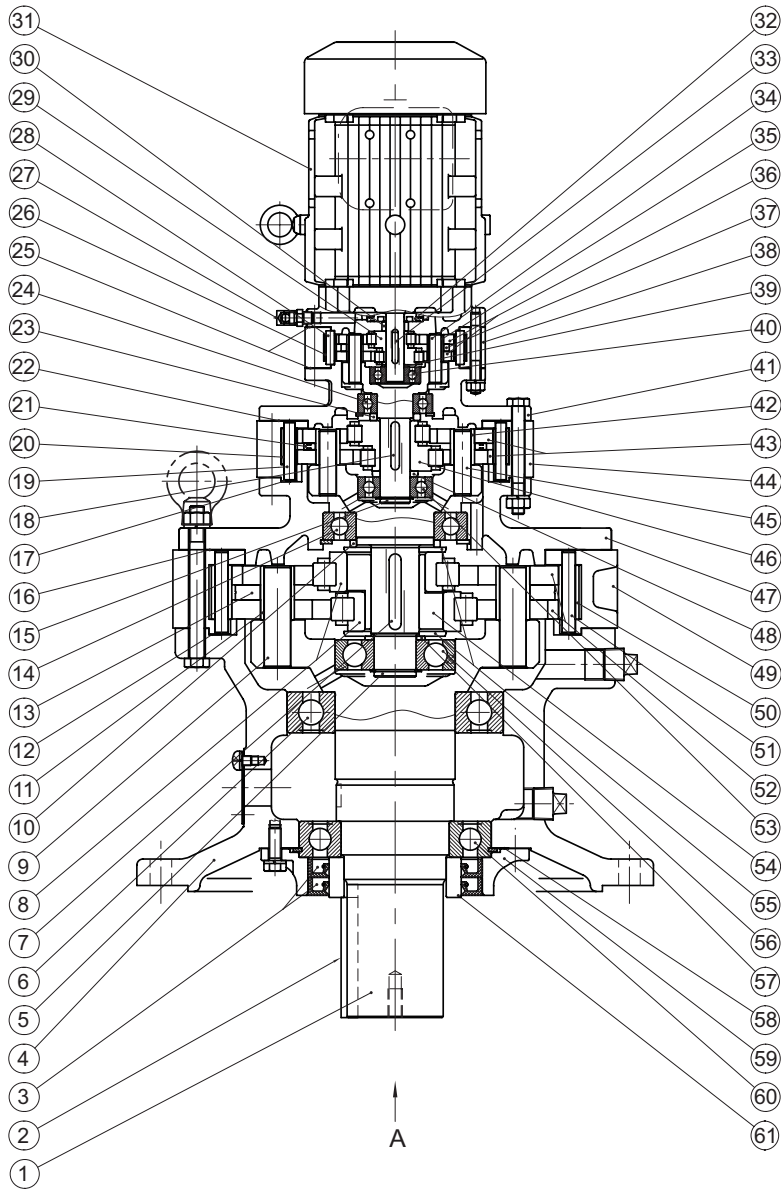


Figure 10-13 Type CVVM (Vertical, Gearmotor), Triple Reduction
(Example: Frame size 6185TD)

Table 10-2 Gear Unit, Principal Parts
(Triple Reduction)

Code	Part Name
1	Slow speed shaft (Output shaft)
2	Key
3	Oil seal
4	Flanged casing
5	Intermediate shaft
6	Ball bearing
7	Key
8	Roller bearing
9	Slow speed shaft pin
10	Spacer ring
11	Slow speed shaft roller
12	Gasket B
13	Spacer ring
14	Ball bearing
15	Intermediate shaft
16	Gasket C
17	Gasket B
18	Key
19	Ring gear pin
20	Ring gear roller
21	Spacer ring
22	Gasket C
23	Spacer ring
24	Ball bearing
25	Gasket B.C
26	Ring gear roller
27	Grease fitting (with cap)
28	Ring gear pin
29	Eccentric cam
30	Spacer ring
31	Motor
32	Slinger
33	Key
34	Slow speed shaft pin
35	Slow speed shaft roller
36	Cycloid disc
37	Spacer ring
38	Ring gear housing
39	Spacer ring
40	Ball bearing
41	Intermediate cover
42	Slow speed shaft roller
43	Cycloid disc
44	Ring gear housing
45	Slow speed shaft pin
46	Eccentric cam
47	Intermediate cover
48	Spacer ring
49	Ring gear housing
50	Ring gear roller
51	Ring gear pin
52	Cycloid disc
53	Ball bearing
54	Eccentric
55	End plate
56	Ball bearing
57	Spacer ring
58	Gasket A
59	Gland
60	Ball bearing
61	Collar

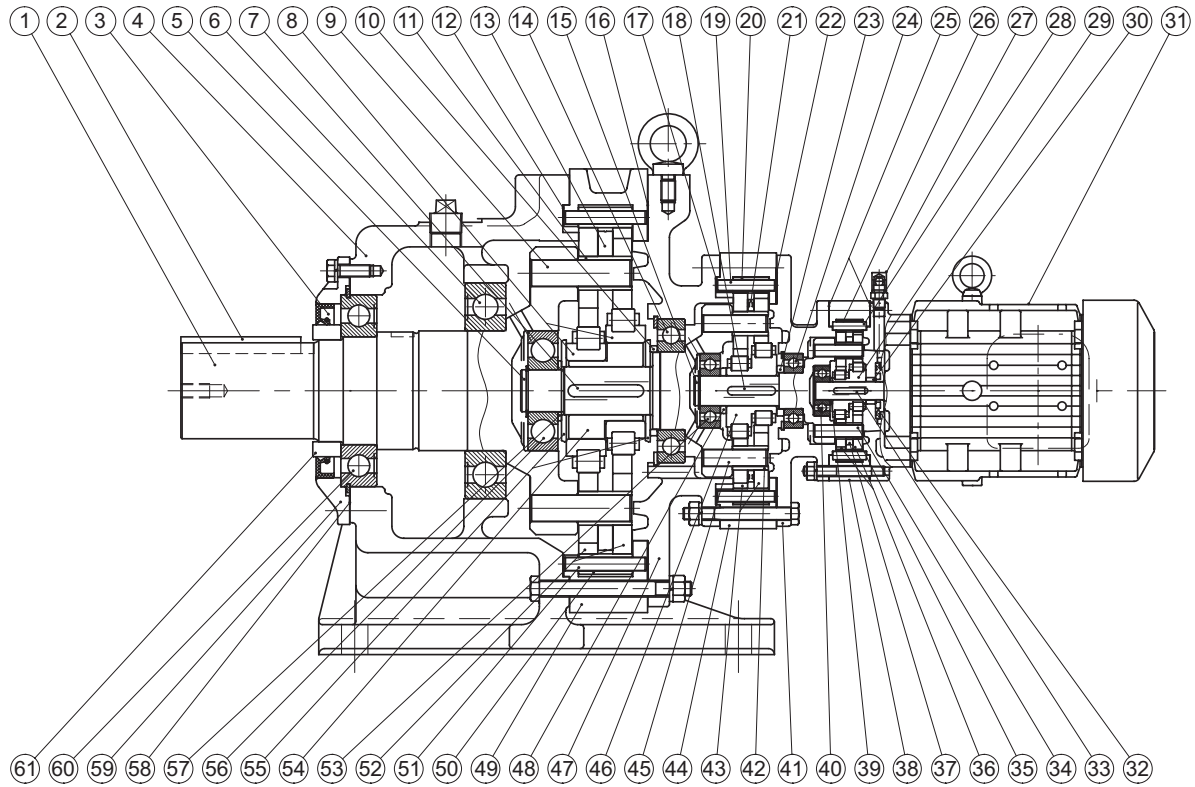


Figure 10-14 Type CHHM (Horizontal, Gearmotor), Triple Reduction
(Example: Frame size 6185TD)

Table 10-3 Gear Unit, Principal Parts (Triple Reduction)

Code	Part Name	Code	Part Name	Code	Part Name
1	Slow speed shaft (Output shaft)	21	Spacer ring	41	Intermediate cover
2	Key	22	Gasket C	42	Slow speed shaft roller
3	Oil seal	23	Spacer ring	43	Cycloid disc
4	Horizontal casing	24	Ball bearing	44	Ring gear housing
5	Intermediate shaft	25	Gasket B.C	45	Slow speed shaft pin
6	Ball bearing	26	Ring gear roller	46	Eccentric cam
7	Key	27	Grease fitting (with cap)	47	Intermediate cover
8	Roller bearing	28	Ring gear pin	48	Spacer ring
9	Slow speed shaft pin	29	Eccentric cam	49	Ring gear housing
10	Spacer ring	30	Spacer ring	50	Ring gear roller
11	Slow speed shaft roller	31	Motor	51	Ring gear pin
12	Gasket B	32	Slinger	52	Cycloid disc
13	Spacer ring	33	Key	53	Ball bearing
14	Ball bearing	34	Slow speed shaft pin	54	Eccentric
15	Intermediate shaft	35	Slow speed shaft roller	55	End plate
16	Gasket C	36	Cycloid disc	56	Ball bearing
17	Gasket B	37	Spacer ring	57	Spacer ring
18	Key	38	Ring gear housing	58	Gasket A
19	Ring gear pin	39	Spacer ring	59	Cover
20	Ring gear roller	40	Ball bearing	60	Ball bearing
				61	Collar

10-3 Gear Unit Construction Drawings (SK Series)

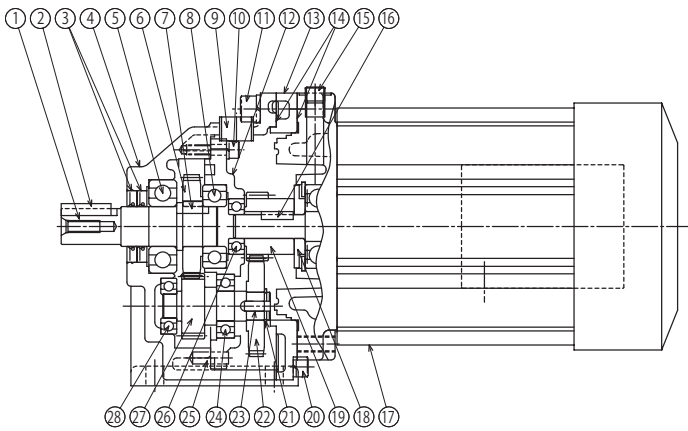


Figure 10-15 Type CHHM (6000SK Series Horizontal, Gearmotor)
(Example: Frame size 6075SK)

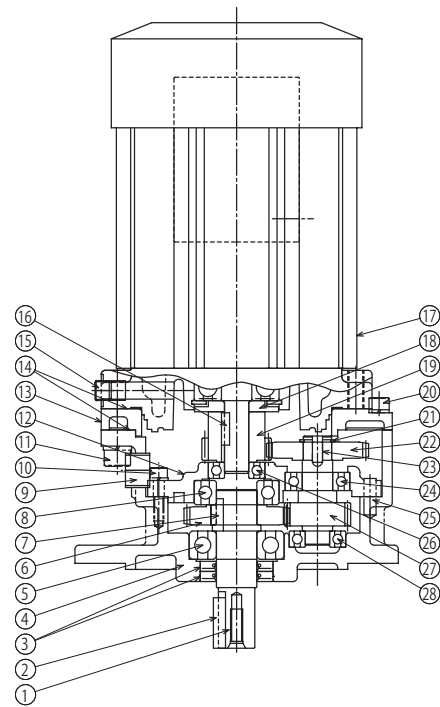


Figure 10-16 Type CVVM (6000SK Series Vertical, Gearmotor)
(Example: Frame size 6075SK)

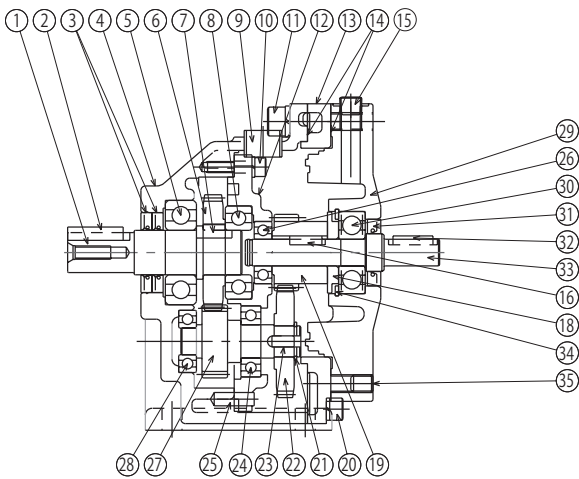


Figure 10-17 Type CHH (6000SK Series Horizontal, Reducer)
(Example: Frame size 6075SK)

Table 10-4 Gear Unit, Principal Parts (SK Series)

Code	Part Name	Code	Part Name	Code	Part Name
1	Slow speed shaft (Output shaft)	13	Adaptor plate	25	Pin
2	Key	14	Liquid gasket	26	High speed shaft bearing A
3	Oil seal	15	Plug	27	Second stage pinion (Mid speed shaft)
4	Horizontal casing	16	Key	28	Mid speed shaft bearing A
5	Slow speed shaft bearing A	17	Motor	29	Internal cover
6	Second stage gear	18	Slinger	30	High speed shaft bearing B
7	Key	19	First stage pinion	31	Oil seal
8	Slow speed shaft bearing B	20	Hexagon socket head bolt	32	Key
9	Plug	21	Snap ring	33	High speed shaft
10	Hexagon socket head bolt	22	First stage gear	34	Snap ring
11	Hexagon socket head bolt	23	Key	35	Hexagon socket head bolt
12	Bearing plate	24	Mid speed shaft bearing B		

10-4 Gear Unit Construction Drawings (Low Reduction Ratio Series)

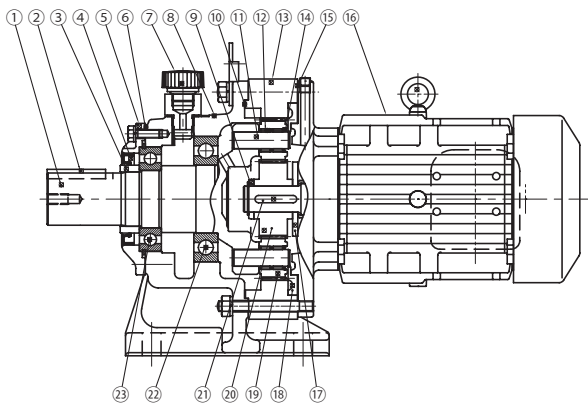


Figure 10-18 Type PHHM (Horizontal, Gearmotor)
(Example: Frame size 6135)

Table 10-5 Gear Unit, Principal Parts (Low Reduction Ratio Series)

Code	Part Name	Code	Part Name
1	Slow speed shaft (Output shaft)	13	Internal gear
2	Key	14	Retaining ring for opening
3	Collar	15	Gasket C
4	Oil seal	16	Motor
5	Cover	17	Slinger
6	Gasket A	18	Support plate
7	Filler plug	19	Planetary gear
8	Horizontal casing	20	Sun gear
9	Spacer ring	21	Key
10	Gasket B	22	Ball bearing
11	Slow speed shaft pin	23	Ball bearing
12	Roller bearing		



10-5 Motor Unit Construction Drawing

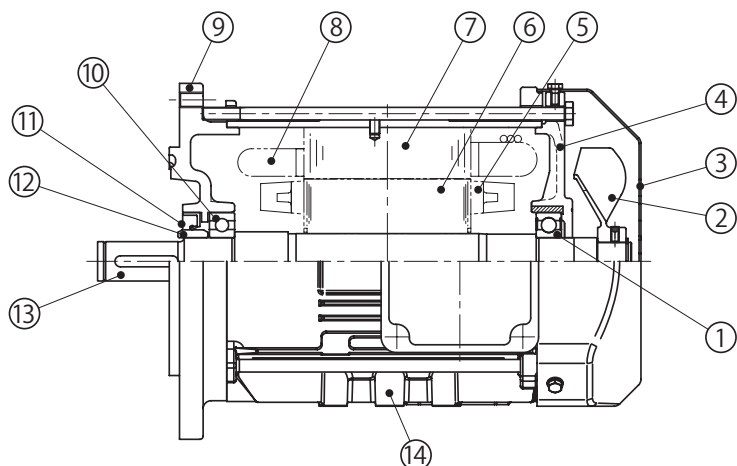


Figure 10-19 Direct-coupled motor for CYCLO Drive (Sealed bearing, oil seal structure)
(Example: N-100L 2.2kW 4P)

Table 10-6 Principal Parts of Motor

Code	Parts Name
1	Anti-load side motor shaft bearing
2	Fan
3	Fan cover
4	Anti-load side cover
5	Rotor conductor
6	Rotor core
7	Stator core
8	Stator windings
9	Motor flange bracket
10	Load side motor shaft bearing
11	Oil seal
12	Oil seal collar
13	Motor shaft
14	Frame

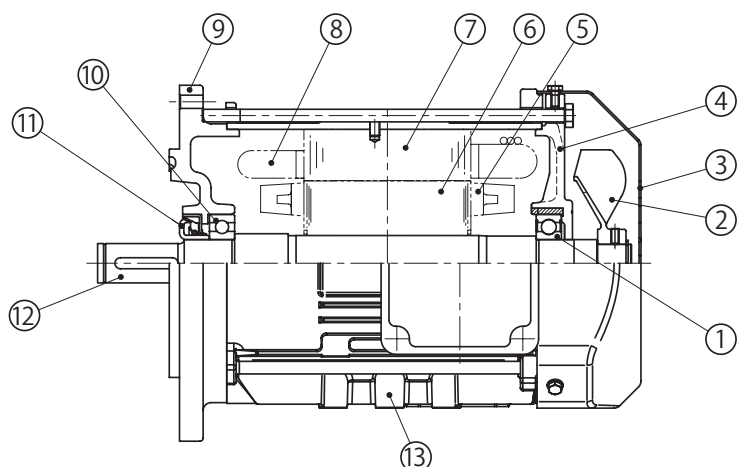


Figure 10-20 Direct-coupled motor for CYCLO Drive (Sealed bearing, Slinger collar structure)
(Example: N-100L 2.2kW 4P)

Table 10-7 Principal Parts of Motor

Code	Parts Name
1	Anti-load side motor shaft bearing
2	Fan
3	Fan cover
4	Anti-load side cover
5	Rotor conductor
6	Rotor core
7	Stator core
8	Stator windings
9	Motor flange bracket
10	Load side motor shaft bearing
11	Slinger collar
12	Motor shaft
13	Frame

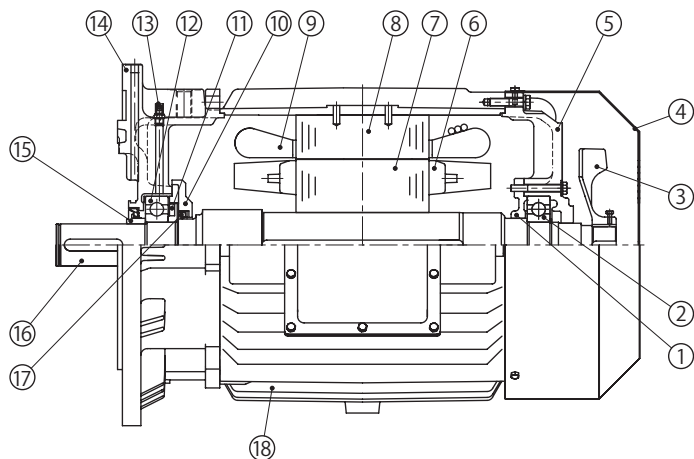


Figure 10-21 Direct-coupled motor for CYCLO Drive (Open bearing structure)
(Example: N-200LS 30kW 6P)

Table 10-8 Principal Parts of Motor

Code	Parts Name
1	Bearing cover
2	Anti-load side motor shaft bearing
3	Fan
4	Fan cover
5	Anti-load side cover
6	Rotor conductor
7	Rotor core
8	Stator core
9	Stator windings
10	Bearing cover
11	Oil drain collar
12	Load side motor shaft bearing
13	Grease fitting
14	Motor flange bracket
15	Slinger collar
16	Motor shaft
17	Oil seal
18	Frame

Application Product

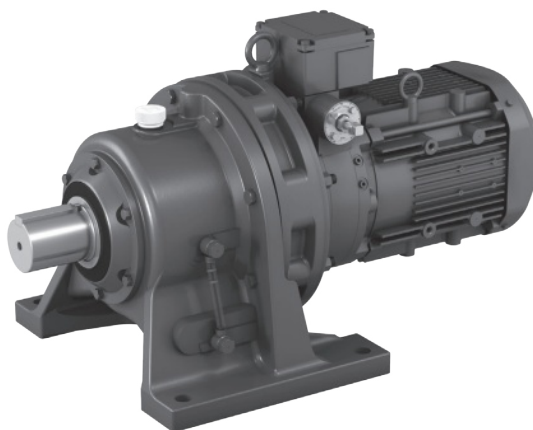
CYCLO[®] Drive with Torque Limiter

This manual covers the torque limiter unit.

For information on handling the reducer unit and the motor unit see P1 – 79.

Contents

11. Wiring	82
12. Adjusting Preset Torque	84
13. Daily Inspection and Maintenance	85
14. Torque Indicator	86
15. Construction Drawings	87



⚠ DANGER

- Do not handle the unit when cables are live. Be sure to turn off the power when performing operations on the unit; otherwise, electric shock may result.
- Connect a power cable to the unit in accordance with the maintenance manual; otherwise, electric shock or fire may result.
- Do not forcibly bend, pull, or clamp the power cable and lead wires; otherwise, electric shock or fire may result.

⚠ CAUTION

- When wiring, follow the facility's electrical codes and extension regulations to prevent burns, electric shocks, injuries, and fire.

11-1 Wiring for a Spring-Loaded Limit Switch**(1) Limit Switch Type (1-Point Signal, 2-Point Signal, 3-Point Signal)**

- When the preset torque is reached, the dog activates the limit switch, which outputs a signal.
- Depending on manufacturing specifications 1 – 3 point signal output is available.

(Types that have 1 – 3 limit switches.)

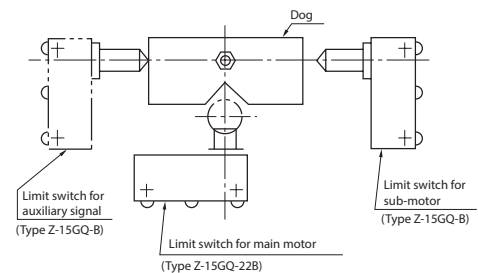


Figure 11-1 Limit Switch

(2) Limit Switch Wiring

- [1] Remove the terminal cover on the terminal box, feed the cable through the cable gland for marine use and connect it to the limit switch terminals.
- [2] Of the three lead wires, connect as follows:
 - For contact point a, terminal symbols C (COMMON) and NO (NORMALLY OPEN)
 - For contact point b, terminal symbols C (COMMON) and NC (NORMALLY CLOSED)
- [3] Make wiring within the terminal box. The construction of the terminal box makes wiring be possible.
- [4] The limit switch may activate at startup if startup torque exceeds preset torque (when shock occurs at startup, the motor is equipped with a brake, etc.). In this case, install a motor timer to disable the limit switch until the load torque becomes less than the preset torque.

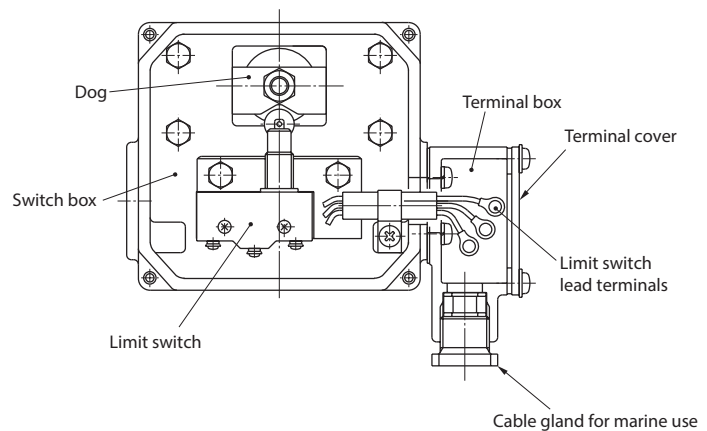


Figure 11-2 Terminal Box-Switch Box

- Note: 1. For 2-point signal systems, there are two terminal boxes; for 3-point signal systems, there are three terminal boxes.
2. The cable gland for marine use conforms to JIS F 8801 (for boxes) and 15-b.

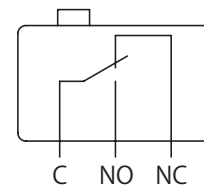


Figure 11-3 Type of Contact (1c)

- To prevent moisture from entering the cable port, seal openings with sealant (for example, putty).
- Do not move the position of the limit switch, or the torque limiter does not work properly because preset torque was changed.

(3) Limit Switch Specifications

Table 11-1 Model Products of OMRON Corporation.

Rotation Direction Signal	Right or Left	Reversible Direction
Main motor OFF	Z-15GQ22-B (1 piece)	
Submotor or alarm ON	Z-15GQ-B (1 piece)	Z-15GQ-B (2 pieces)
Auxiliary signal	Z-15GQ-B (1 piece)	Please consult with us.

Table 11-2 Rating

Rated Voltage (V)	Noninductive Load (A)				Inductive Load (A)			
	Resistance Load		Lamp Load		Inductive Load		Motor Load	
	Normally Closed Circuit	Normally Open Circuit	Normally Closed Circuit	Normally Open Circuit	Normally Closed Circuit	Normally Open Circuit	Normally Closed Circuit	Normally Open Circuit
AC 125	15		3	1.5	15		5	2.5
	250	15		2.5	1.25	15	3	1.5
	500	10		1.5	0.75	6	1.5	0.75
DC	8	15		3	1.5	15	5	2.5
	14	15		3	1.5	10	5	2.5
	30	6		3	1.5	5	5	2.5
	125	0.5		0.5	0.5	0.05	0.05	0.05
	250	0.25		0.25	0.25	0.03	0.03	0.03

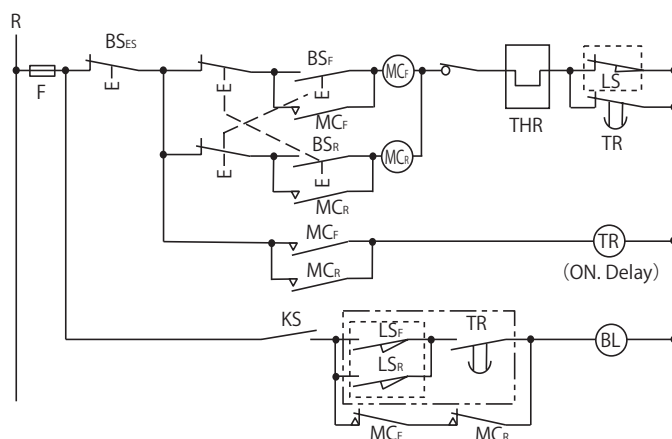
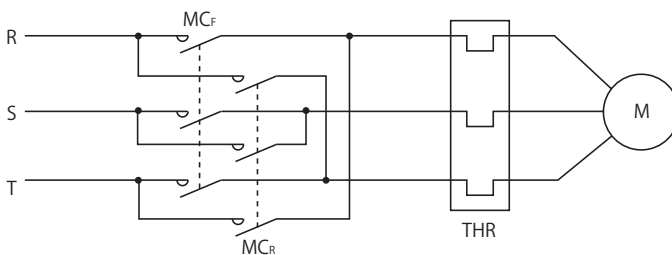
Table 11-3 Contact Point Specification

Inrush Current	Normally Closed Circuit	Normally Open Circuit
		Max. 30A

Note: 1. Values shown in the table indicate steady-state current.

2. An inductive load is a power factor of 0.4 (AC) or more, or a time constant of 7 ms (DC) or less.
 3. A lamp load is a load with an inrush current 10 times as high.
 4. A motor load is a load with inrush current 6 times as high.
 5. Working ambient temperature: General type -25 to 80°C (no ice)
- Working ambient humidity: General type 35 to 85%RH (no condensation)

(4) Example of How to Connect a Spring-Loaded Limit Switch (2-Point Signal, Dual Safety, Reversible Rotation)



- M Motor
- MC_F ... Electromagnetic switch for forward motor rotation
- MC_R ... Electromagnetic switch for reverse motor rotation
- BS_F ... Pushbutton switch for forward rotation
- BS_R ... Pushbutton switch for reverse rotation
- BS_{ES} ... Pushbutton switch for stopping
- THR ... Thermal relay
- LS..... Limit switch (for forward, reverse and stop)
- LS_F ... Limit switch (for forward alarm)
- LS_R ... Limit switch (for reverse alarm)
- KS ... Knife switch
- TR ... Motor timer
- F Fuse
- BL ... Alarm

Note: 1. Limit switches LS, LS_F and LS_R surrounded by [] are built-in on CYCLO Drive with torque limiter other devices should be supplied by customer.

2. If there is an overload, LS_F (LS_R) and LS operate in order.
3. Devices within are [] not required for 1-point signals.

⚠ CAUTION

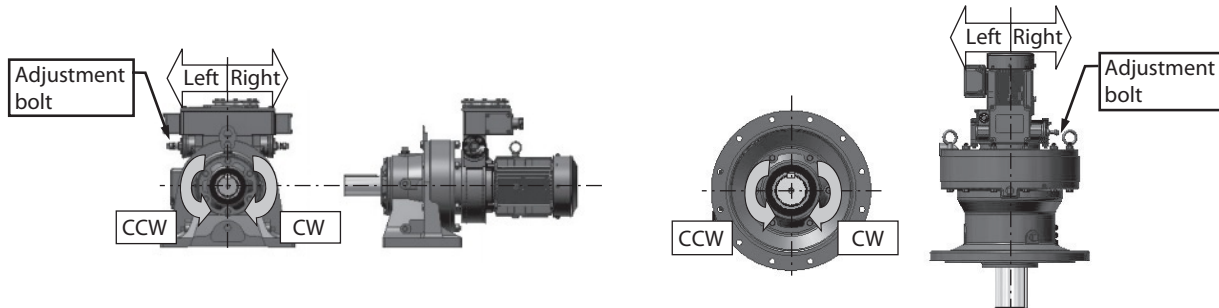
- Increasing the preset torque will cause the torque limiter to function at a torque value that exceeds the initial setpoint. Damage to the machine may occur.

12-1 Adjusting Preset Torque for the Spring-Loaded Limit Switch Model

Preset torque is possible to be adjusted in the range of $\pm 25\%$ value which is after factory shipment.

Table 12-1 Propriety to adjust preset torque and position of adjusting bolt

Output signals	Torque indicator	Rotational direction of slow speed shaft	Side of adjustment bolt			Adjustment of preset torque
			1 stage reduction	2 stage reduction	3 stage reduction	
1 & 2	Without Type A (Indicated load ratio: 60 - 100% or 50 - 100%)	CW	Left	Right	Right	OK
		CCW	Right	Left	Left	
		Both	Both	Both	Both	
	Type B (Indicated load ratio: 0 - 100%)	CW	Both	Both	Both	NG
		CCW	Both	Both	Both	
		Both	Both	Both	Both	



- The preset torque is shown at the center of the adjusting scale plate [1] in the figure below. Torque values indicated by T1 and T2 are positioned at $\pm 150^\circ$ from the center. Use T1 and T2 as points of reference when changing the preset torque.
- When it is necessary to increase or decrease the original preset torque, use the adjustment bolt [2]. Adjust torque within a range of $\pm 25\%$ of the preset torque. Overscaling T1 and T2 is permitted within $\pm 25\%$. However, do not make adjustment in excess of the maximum preset torque. (See the selection table in the catalog.)
- An index [4] is stamped in the cut on the side of the threaded section of the adjustment bolt [2]. The index [4] is aligned with the end face of the case cover [3] when the mark [5] on the adjusting bolt [2] is located at the position of the preset torque on the adjusting scale plate [1]. Make fine adjustments using this alignment as a base. If the adjustment bolt is too tight or too loose, first reset the adjustment bolt to align the index [4] with the end face of the case cover [3]. Then make adjustments.

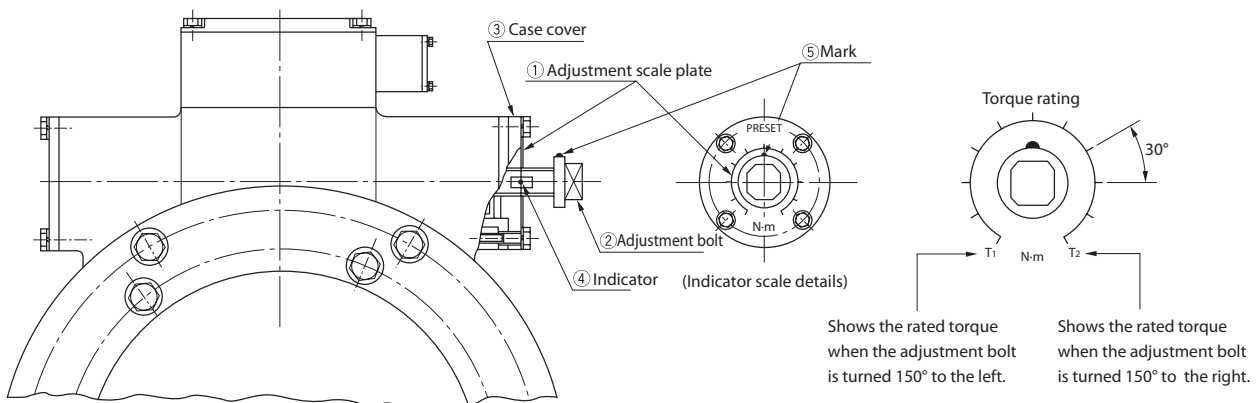


Figure 12-1 Adjusting Preset Torque

Note: 1. For the reversible rotation specification, an adjustment bolt and adjustment scale plate will be located on both sides.

2. In the case of the B-type torque indicator (indicating a load factor of 0 – 100%), it is not possible to adjust the preset torque.

13-1 Torque Limiter, Daily Check

Open the switch box and check every time that oil is replenished or changed.

(1) Limit Switch

- Use a tester to see if the limit switch activates normally.
- If it is possible to run the device, force the limit switch to activate while the machine is running to determine whether the torque limiter works properly.

(2) Dog

- Check to determine whether the nut that secures the dog is loose.
- If it is possible to run the device, confirm that, on startup, the dog moves from its stopped condition.

(3) Oil leakage

- Check to determine whether oil has leaked into the switch box.
- If oil leaks in, the limit switch may not activate, preventing the torque limiter from working.

- Do not move the position of the limit switch because moving it will change the preset torque value. This will prevent the torque limiter from working properly.

- A load test is performed and preset torque is adjusted when the device is shipped from the factory. If the customer disassembles and reassembles the device, the preset torque could change, causing the torque limiter to stop working properly. This is a source of damage to the device. Therefore, if disassembly or reassembly is required, contact the nearest accredited service station.

13-2 Lubricating Vertical Type, Frame Sizes 6130, 6135, 6140, 6145

(1) Lubrication and Maintenance

Vertical CYCLO Drives with Torque Limiter, frame sizes 6130, 6135, 6140, 6145 are grease lubricated.
(For lubrication for other than the vertical type, frame sizes 6130, 6135, 6140, 6145, see P36 – 45.)

Table 13-1 Grease Replenishment Intervals

Operation Time	Replenishment Interval	Remarks
Less than 10 hours a day	Once every 3 – 6 months	In the case of severe operating conditions, shorten the replenishment period. Maintenance with disassembly after approximately 20,000 hours or three to five years will further increase lifetime.
10 – 24 hours a day	Once every 500 – 1,000 hours	

Table 13-2 Recommended Grease (Grease Used when Shipped)

Manufacturer	Description	Ambient Temperature °C
Cosmo	COSMO GREASE DYNAMAX SH No.2	-10 to 50
Mobil	UNIREX N2	

Note: 1. Only use grease listed in Table 13-2.

2. When regularly used in an ambient temperature outside the 0 to 40°C range, some specifications will differ. Please consult us.

Table 13-3 Grease Replenishment Quantity (Guidelines)

Frame Size	Replenishment Quantity (g)
6130, 6135, 6140, 6145	150

(2) Procedures for Filling and Discharging

- [1] Remove the grease discharge plug from the casing.
- [2] Use a grease gun to replenish through the grease fittings for the internal cover and the motor flange bracket, using the quantities of grease shown in Table 13-3 as guidelines.
- [3] Replace the grease discharge plug.

- Grease while the machine is running to improve grease distribution.
- In addition to being used for discharging grease, the grease discharge plug also functions as a pressure vent when replenishing grease. Make certain to remove when replenishing.
- Replenish grease slowly.
- Replenishing more than the quantity shown in Table 13-3 may cause agitation heat, which raises the temperature, and may cause grease to leak into the motor unit.

14-1 Torque Indicator

(1) Checking the Torque Indicator

- The torque indicator is zero adjusted, and the preset torque is adjusted before shipment. After the reducer has been connected to equipment, if zero is not indicated when the reducer is at rest, it is possible that a small load is already being applied to the output shaft. Do not readjust the zero point.
- The relationship between the direction of pointer deflection and slow speed shaft rotation (seen from the slow speed shaft side) is shown below.
Single reduction type: pointer opposite direction of the slow speed shaft
Double, triple reduction types: pointer in the same direction as the slow speed shaft
- The indicator scale displays the load factor, with 100% being the preset torque. Accuracy is within 10% of the overall load range.

(2) A-Type Torque Indicator

The A-type torque indicator displays load factors of 60 – 100% (depending on the combination of preset torque and reduction ratio 50 – 100%).

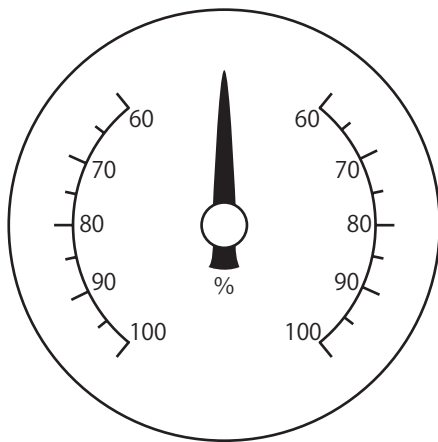


Figure 14-1 A-Type Torque Indicator (60 – 100% load factor display)

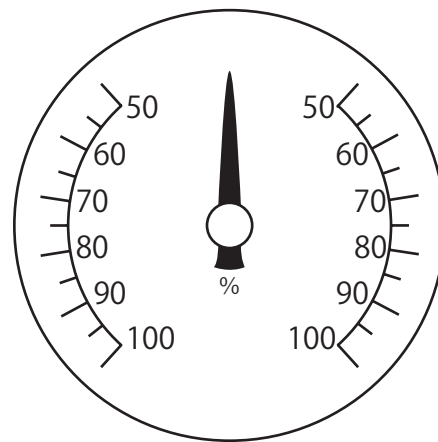


Figure 14-2 A-Type Torque Indicator (50 – 100% load factor display)

- The pointer may deflect slightly when stopped or under no load. This is not a problem.
- For the reversible rotation specification, when left and right preset torques differ, the pointer position will be slightly offset.

(3) B-Type Torque Indicator

The B-type torque indicator displays load factors of 0 – 100%.

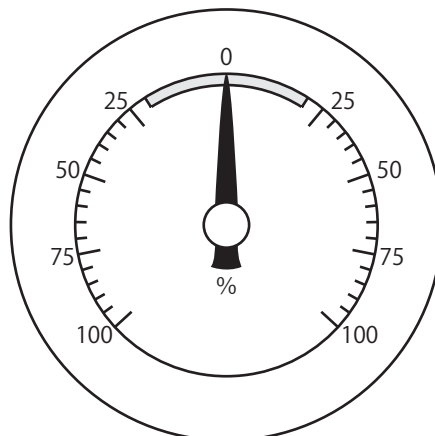
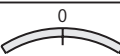


Figure 14-3 B-Type Torque Indicator (0 – 100% load factor display)

- In the case of a B-type torque indicator, the pointer will stop in the range of  when load is removed.
- Preset torque cannot be changed. Do not turn the adjustment bolt.

15-1 Construction Drawings

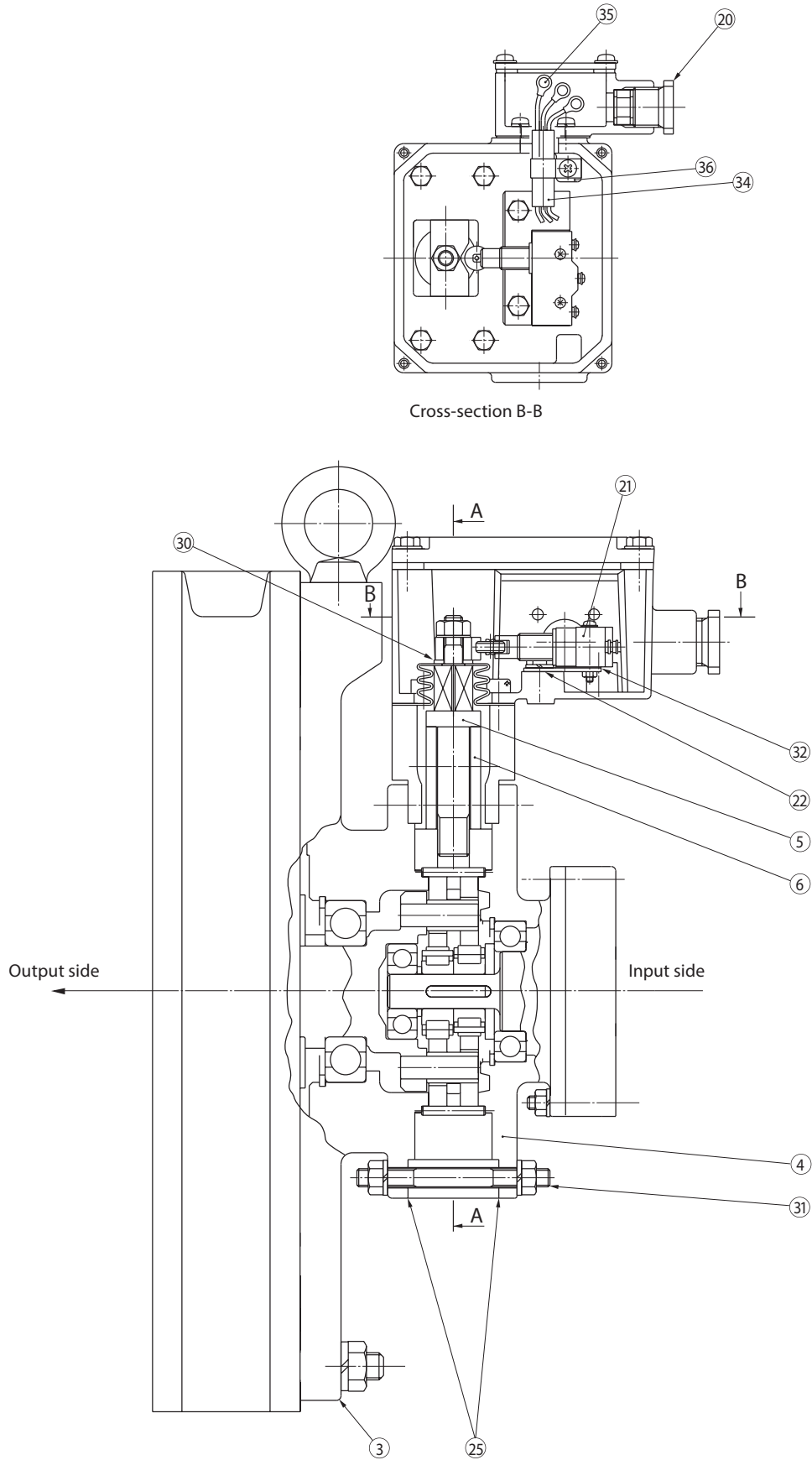


Figure 15-1 Type CHHM (Horizontal, Gearmotor), Triple Reduction

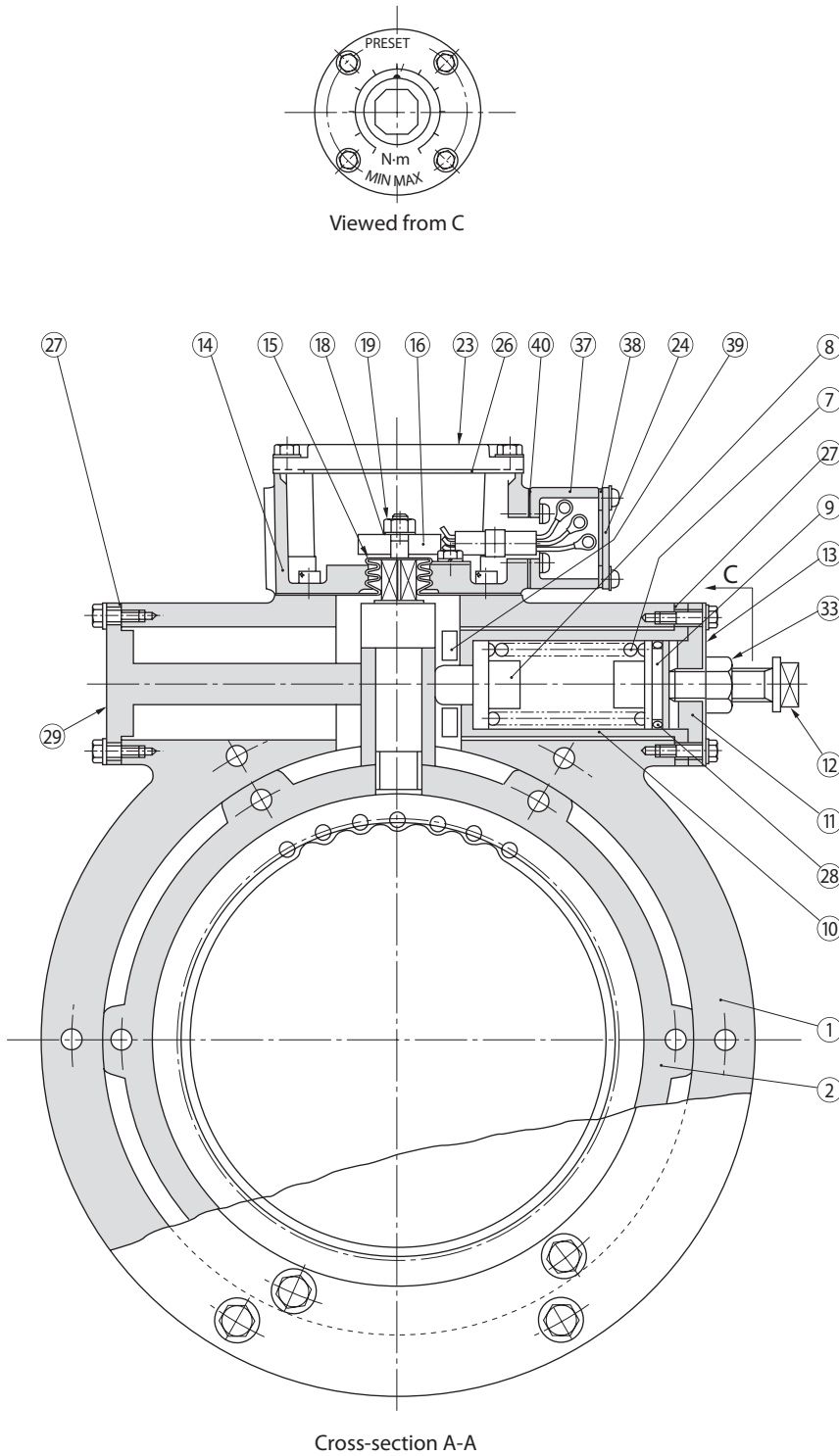


Table 15-1 Torque Limiter Principal Parts

No.	Part Name
1	Fixed ring gear housing
2	Ring gear housing
3	Intermediate cover
4	Intermediate cover <small>(Internal cover Motor flange bracket)</small>
5	Dog bar
6	Bushing
7	Spring
8	Spring holder plate A
9	Spring holder plate B
10	Spring case
11	Case cover
12	Adjustment bolt
13	Adjustment scale plate
14	Switch box
15	Bellows
16	Dog
18	Toothed washer
19	Dog clamping nut
20	Cable gland for marine use
21	Limit switch
22	Switch mounting bracket
23	Switch box cover
24	Terminal cover
25	Gasket
26	Gasket
27	Gasket
28	O-ring
29	Stopper
30	Flat washer
31	Bolts for fixed ring gear housing
32	Insulation board
33	Stopping nut
34	Cabtyre cable
35	Limit switch lead terminal
36	Terminal plate (with clamp)
37	Terminal box
38	Gasket
39	Spacer
40	Gasket

Figure 15-2 Type CHHM (Horizontal, Gearmotor), Triple Reduction

15-2 Torque Indicator Construction Drawings

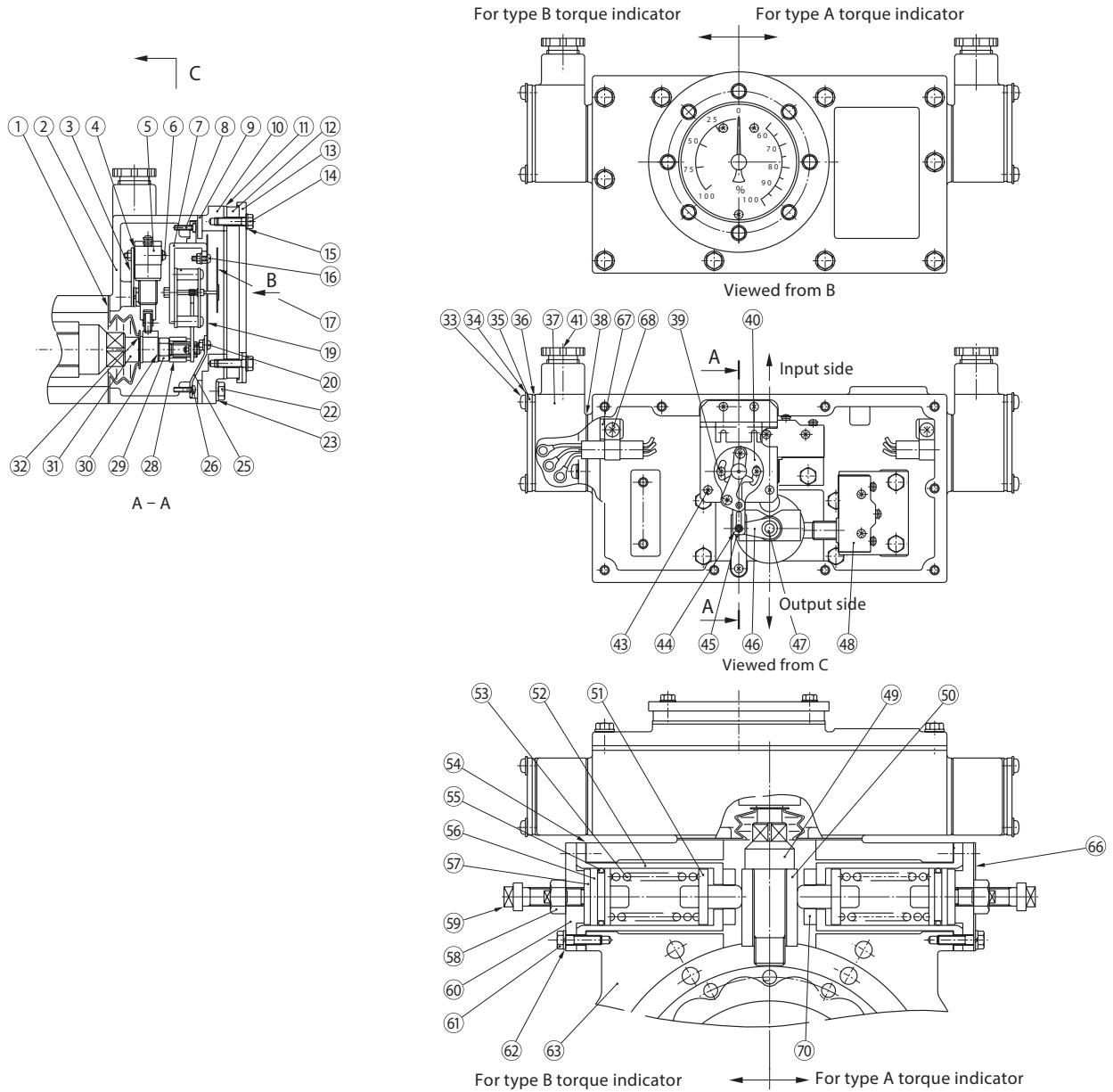


Table 15-2 Torque Indicator Principal Parts

No.	Part Name
1	Bellows
2	Switch box
3	Switch mounting bracket
4	Insulation board
5	Microswitch (for stopping motor)
6	Philips pan head machine screw
7	Motor assembly mounting base
8	Philips pan head machine screw
9	Gasket
10	Switch cover
11	Gasket
12	Transparent cover
13	Holding plate for transparent cover
14	Upper bolt
15	Washer with rubber
16	Philips pan head machine screw
17	Pointer
19	Scale plate
20	Philips pan head machine screw
22	Upper bolt
23	Washer with rubber

No.	Part Name
25	Scale plate mounting base
26	Philips pan head machine screw
28	Spacer for rod
29	Upper nut
30	Toothed washer
31	Dog
32	Flat washer
33	Upper bolt
34	Washer with rubber
35	Terminal cover
36	Gasket
37	Terminal box
38	Gasket
39	Philips pan head machine screw
40	Internal machine
41	Cable gland for marine use
43	Philips pan head machine screw
44	Sector
45	Nut
46	Rod
47	Bushing for rod

No.	Part Name
48	Microswitch (for alarm)
49	Dog bar
50	Bushing
51	Spring holder plate A
52	Spring case
53	Spring
54	Gasket
55	O-ring
56	Spring holder plate B
57	Preload plate
58	Lock nut
59	Adjustment bolt
60	Case cover
61	Upper bolt
62	Washer with rubber
63	Fixed ring gear housing
66	Adjustment scale plate
67	Terminal plate
68	Upper plate
70	Spacer

Figure 15-3 Torque Indicator

Application Product

CYCLO[®] Drive

with Special Vertical Base Mount

C14VM C15VM C17VM C18VM

C24VM C25VM C27VM C28VM

C3VM



This manual covers the base unit.

For information on handling the reducer unit and the motor unit see P1 – 79.

Contents

16. Coupling with Other Machines	92
17. Daily Inspection and Maintenance	94
18. Construction Drawings	95

⚠ CAUTION

- When coupling the gearmotor or reducer with a load, check that centering is within the specified limits. Correctly tighten bolts on the coupling before operation; otherwise, injury may result because of misalignment.
- Confirm the rotation direction before coupling the unit with the driven machine. For C15VM, C18VM, C25VM and C28VM, check the direction of the shaft end screw. (Standard specification is left-handed screw.) Incorrect rotation direction may cause personal injury or damage the equipment.

16-1 Agitator Shaft Assembly

The connected agitator's shaft end shape will differ based on product model. Connect in accordance with the product's coupling shape.

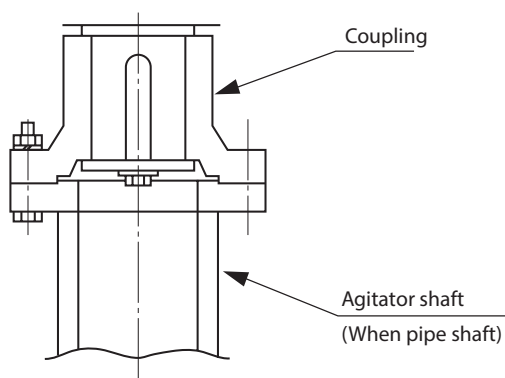


Figure 16-1 Example of Agitator Shaft Assembly
(C14VM, C17VM, C24VM, C27VM)

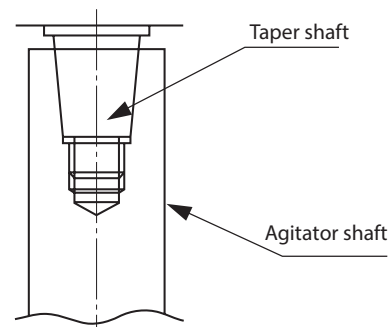


Figure 16-2 Example of Agitator Shaft Assembly
(C15VM, C18VM, C25VM, C28VM)

Note: For C14VM, C24VM, C17VM, C27VM, use coupling bolts with the strength class shown in Table 16-1.

Table 16-1 Coupling Bolts
C14VM

Frame Size	JIS Strength Class
609□, 610□	8.8 and above
612□	12.9 and above
613□	10.9 and above
614□	12.9 and above
616□	10.9 and above
617□	
618□	
619□	

C17VM

Frame Size	JIS Strength Class
609□, 610□	8.8 and above
612□	
613□, 614□	
616□	
617□	
618□	
619□	
6205	
6215	
6225	
6235	
6245	
6255	
6265	

C24VM, C27VM

Frame Size	JIS Strength Class
608□	8.8 and above
609□, 610□, 611□	
612□	
613□	
614□	
616□	
617□	
618□	

Note: The symbol □ in frame size can be "0" or "5". For double reduction and triple reduction types, DA, TA, etc. will be appended to the frame size.

16-2 Allowable Bending Moment, Axial Load

Table 16-2 Allowable Bending Moment (N·m)

Frame Size	Model			
	C14VM, C15VM	C17VM, C18VM	C24VM, C25VM	C27VM, C28VM
608 □	–	–	343	687
609 □	343	687	638	1230
610 □	343	687	638	1230
611 □	–	–	638	1230
612 □	638	1230	1080	2160
613 □	1080	2160	1570	3140
614 □	1080	2160	1570	3140
616 □	1570	3140	2260	4410
617 □	2260	4410	2940	5890
618 □	2940	5890	3830	7550
619 □	3830	7550	–	–
6205	–	10800	–	–
6215	–	13700	–	–
6225	–	15700	–	–
6235	–	18600	–	–
6245	–	24500	–	–
6255	–	31400	–	–
6265	–	37300	–	–

Table 16-3 Allowable Axial Load (N)

Frame Size	Model				
	C14VM, C15VM	C17VM, C18VM	C24VM, C25VM	C27VM, C28VM	C3VM
608 □	–	–	981	981	–
609 □	981	981	1670	1670	–
610 □	981	981	1670	1670	–
611 □	–	–	1670	1670	–
612 □	1670	1670	2650	2650	–
613 □	2650	2650	3730	3730	–
614 □	2650	2650	3730	3730	–
616 □	3730	3730	4910	4910	–
617 □	4910	4910	6180	6180	–
618 □	6180	6180	7650	7650	21600
619 □	7650	7650	–	–	32400
6205	–	9810	–	–	–
6215	–	11800	–	–	46100
6225	–	13700	–	–	51000
6235	–	15700	–	–	51000
6245	–	20600	–	–	–
6255	–	24500	–	–	–
6265	–	29400	–	–	–

Note: 1. The symbol □ in frame size can be "0" or "5". For double reduction and triple reduction types, DA, TA, etc. will be appended to the frame size.

2. Allowable bending moment is the value in the mounting flange.
3. Axial load is possible in the vertical direction. (C3VM only faces downward.)
4. Use is possible up to the allowable value, even if bending moment and axial load are both present. (Except C3VM.)
5. Depending on the bending moment, axial load exceeding the allowable value may be allowed. Please consult us. (Except C3VM.)
6. C3VM values are for reduction ratios of 1/2537 and above.
7. Allowable values are the same for double and triple reduction types.

17-1 Base Unit Grease Replenishment

- All base unit bearings are grease lubricated. Units are shipped greased using the greases in Table 17-2, so they can be used as is.
- Make certain to perform maintenance. Neglecting maintenance is a source of problems.

(1) Grease Replenishment Intervals

Table 17-1 Grease Replenishment Intervals

Part	Replenishment Interval
Base unit	1 time/2 – 3 years

(2) Recommended Grease

Table 17-2 Recommended Grease (Grease Used when Shipped)

Ambient Temperature °C	Manufacturer	Description
-10 to 50	COSMO	COSMO GREASE DYNAMAX SH No.2
	Mobil	UNIREX N2

(3) Grease Replenishment Quantity

Table 17-3 Grease Replenishment Quantity Guidelines (g)

Frame Size	Model								
	C14VM, C15VM		C17VM, C18VM		C24VM, C25VM		C27VM, C28VM		C3VM
	Bearing A	Bearing B	Bearing A	Bearing B	Bearing A	Bearing B	Bearing A	Bearing B	Bearing
608 □	–	–	–	–	5	5	7	5	–
609 □	5	5	7	5	7	5	10	5	–
610 □	5	5	7	5	7	5	10	5	–
611 □	–	–	–	–	7	5	10	5	–
612 □	7	5	10	5	13	7	15	7	–
613 □	13	7	15	7	17	10	35	10	–
614 □	13	7	15	7	17	10	35	10	–
616 □	17	10	35	10	20	15	50	15	–
617 □	20	15	50	15	30	20	70	20	–
618 □	30	20	70	20	35	30	100	30	25
619 □	35	30	100	30	–	–	–	–	40
6205	–	–	40	35	–	–	–	–	–
6215	–	–	65	50	–	–	–	–	65
6225	–	–	65	50	–	–	–	–	65
6235	–	–	70	65	–	–	–	–	95
6245	–	–	125	85	–	–	–	–	–
6255	–	–	125	110	–	–	–	–	–
6265	–	–	210	150	–	–	–	–	–

Note: 1. The symbol □ in frame size can be "0" or "5". For double reduction and triple reduction types, DA, TA, etc. will be appended to the frame size.

2. Replenishment quantities are the same for double and triple reduction types.

(4) Replenishment Procedure

Using a grease gun, replenish through grease fittings [2] and [8] (see P95, for C3VM, use [6]). See Table 17-3 for guidelines on quantity.

- If the product has not been operated for one year or longer, make certain to replenish grease before resuming operation.
- Grease while the machine is running to improve grease distribution.
- Replenish grease slowly.
- Contact the nearest authorized service station concerning a complete grease change.

17-2 Main Unit Maintenance

Oil seals have lifetimes. During long use, natural degradation and frictional wear will reduce effectiveness. Reducer operating conditions and ambient environment will cause lifetime to widely vary. Given normal operation, (uniform load, running 10 hours per day, normal temperature) as a guideline it is recommended to change them every 1 to 3 years. If the sliding surfaces of oil seals or V-rings show signs of wear or corrosion, replace them with new ones. Because sliding surfaces for oil seals are made of carbon steel, take on-going rust prevention measures regularly not to spread rust on them by applying rustproof oil and so on, if there are exposed surfaces of steel.

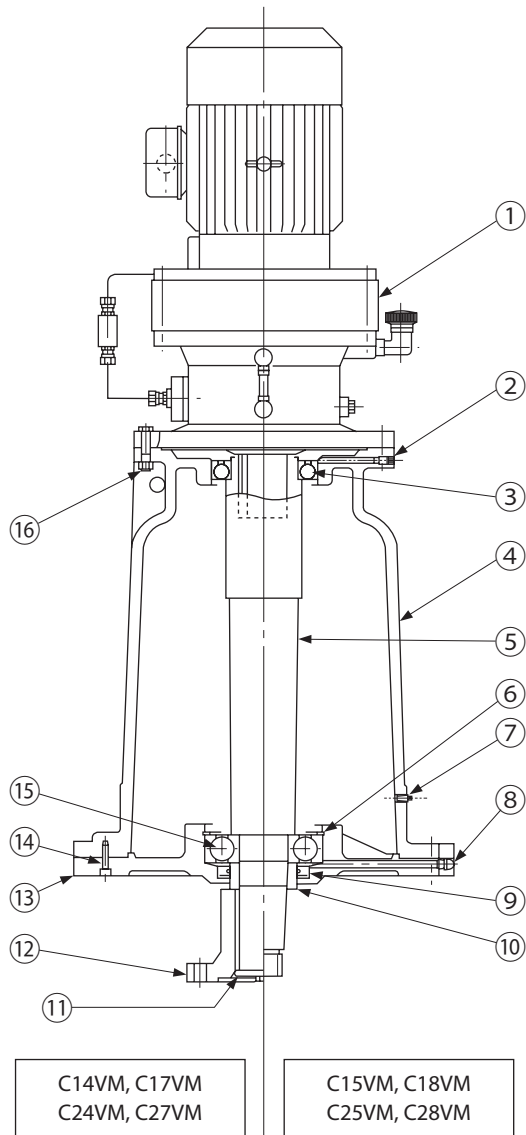


Figure 18-1 Models C14 – 28VM

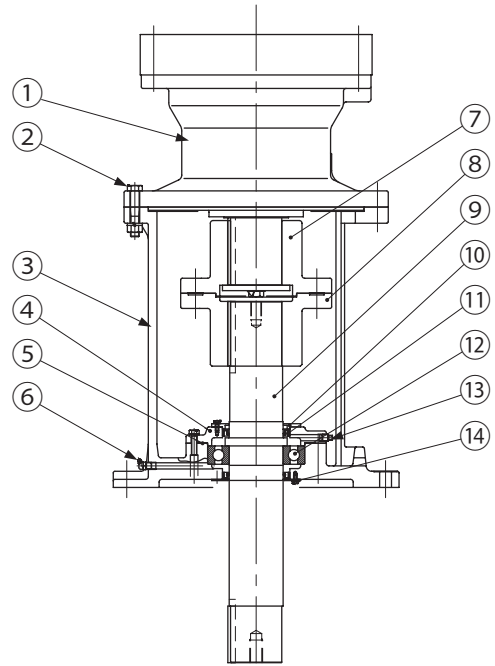


Figure 18-2 C3VM

Table 18-1 Gear Unit, Principal Parts (Models C14 – 28VM)

No.	Parts Name	No.	Parts Name
1	CYCLO Drive	9	Oil seal
2	A-type grease fitting	10	Collar
3	Bearing B	*11	End plate
4	Base (1)	*12	Rigid flanged shaft coupling
5	Shaft	13	Base (2)
6	Snap ring for opening	14	Fitting up bolt
7	Plug	15	Bearing A
8	B-type grease fitting	16	Hexagon head bolt, nut

Note: Parts indicated by * are only for C14VM, C24VM, C17VM and C27VM.

Table 18-2 Gear Unit, Principal Parts (C3VM)

No.	Parts Name	No.	Parts Name
1	CYCLO Drive	8	3V Coupling (2)
2	Hexagon head bolt	9	3V shaft
3	3V base	10	Dust-tight cover
4	Cover	11	Oil seal
5	Gasket	12	Bearing
6	Grease fitting	13	Drain plug
7	3V Coupling (1)	14	Oil seal

The scope of our product warranty is limited to our manufacturing range.

Warranty (period and contents)

Warranty Period	The product warranty period is 18 months after delivery, 18 months after shipment of the product from the seller, or 12 months from product commissioning, whichever is first.
Warranty Conditions	<p>In the event that any problem or damage to the product arises during the “Warranty Period” from defects in the product whenever the product is properly installed and combined with the buyer's equipment or machines, maintained as specified in the maintenance manual, and properly operated under the conditions described in the catalog or as otherwise agree on in writing between the seller and the buyer or its customers, the seller will provide, at its sole discretion, appropriate repair or replacement of the product, without charge, at a designated facility, except as stipulated in the “Warranty Exclusions” described below.</p> <p>However, if the product is installed or integrated into the Buyer's equipment or machines, the seller does not reimburse the following costs: removal or reinstallation of the product or other incidental costs related thereto, any lost opportunity, any profit loss or other incidental or consequential losses or damage incurred by the buyer or its customers.</p>
Warranty Exclusions	<p>Notwithstanding the above warranty, the warranty as set forth herein does not apply to any problem or damage to the product caused by:</p> <ol style="list-style-type: none"> 1. Installation, connection, combination or integration of the product with or into the other equipment or machine that is rendered by any person or entity other than the seller; 2. Insufficient maintenance or improper operation by the buyer or its customers, such that the product is not maintained in accordance with the maintenance manual provided or designated by the seller; 3. Improper use or operation of the product by the buyer or its customers without informing the Seller, including, without limitation, the buyer's or its customers' operation of the product not in conformity with the specifications and use of lubricating oil that is not recommended by the seller; 4. Any problem or damage to any equipment or machine into or with which the Product is installed, connected or combined, or on any specifications particular to the buyer or its customers; 5. Any changes, modifications, improvements or alterations to the product or those functions that are rendered on the product by any person or entity other than the seller; 6. Any parts in the product that are supplied or designated by the buyer or its customers; 7. Earthquake, fire, flood, sea breeze, gas, thunder, acts of God or any other reasons beyond the control of the seller; 8. Normal wear and tear or deterioration of the product's parts, such as bearings and oil seals; and 9. Any other problems with or damage to the product that are not attributable to the seller.

Worldwide Locations

U.S.A Sumitomo Machinery Corporation of America (SMA) 1453 Cornwall Blvd. Chesapeake, VA 23323, U.S.A. TEL (1)757-485-3355 FAX (1)757-485-7490	Austria Sumitomo (SHI) Cyclo Drive Germany GmbH (SCG) SCG Branch Austria Office Grüntalerstraße 30A, 4020 Linz, Austria TEL (43)732-330958 FAX (43)732-331978	Korea Sumitomo (SHI) Cyclo Drive Korea, Ltd. (SCK) Royal Bldg. 19 Rm. 913, 5 Saemunan-ro 5-Gil Jongro-Gu Seoul, Korea 03173 TEL (82)2-730-0151 FAX (82)2-730-0156
Canada SM Cyclo of Canada, Ltd. (SMC) 1453 Cornwall Road, Oakville, Canada ON L6J 7T5 TEL (1)905-469-1050 FAX (1)905-469-1055	Belgium Hansen Industrial Transmissions NV (HIT) Leonardo da Vincilaan 1, Edegem, Belgium TEL (32)34-50-12-11 FAX (32)34-50-12-20	Taiwan Tatung SM-Cyclo Co., Ltd. (TSC) 22 Chungshan N. Road 3rd., Sec. Taipei, Taiwan 104, R.O.C. TEL (886)2-2595-7275 FAX (886)2-2595-5594
Mexico SM Cyclo de Mexico, S.A. de C.V. (SMME) Av. Desarrollo 541, Col. Finsa, Guadalupe, Nuevo León, México, CP67132 TEL (52)81-8144-5130 FAX (52)81-8144-5130	France SM-Cyclo France SAS (SMFR) 8 Avenue Christian Doppler, 77700 Serris, France TEL (33)164171717 FAX (33)164171718	Singapore Sumitomo (SHI) Cyclo Drive Asia Pacific Pte. Ltd. (SCA) 15 Kwong Min Road, Singapore 628718 TEL (65)6591-7800 FAX (65)6863-4238
Brazil Sumitomo Industrias Pesadas do Brasil Ltda. (SHIB) Rodovia do Acucar (SP-075) Km 26 Itu, Sao Paulo, Brasil TEL (55)11-4886-1000 FAX (55)11-4886-1000	Italy SM-Cyclo Italy Srl (SMIT) Via dell' Artigianato 23, 20010 Cornaredo (MI), Italy TEL (39)293-481101 FAX (39)293-481103	Philippines Sumitomo (SHI) Cyclo Drive Asia Pacific Pte. Ltd. Philippines Branch Office (SMPH) C4 & C5 Buildings Granville Industrial Complex, Carmona, Cavite 4116, Philippines TEL (63)2-584-4921 FAX (63)2-584-4922
Chile SM-Cyclo de Chile Ltda. (SMCH) Camino Lo Echevers 550, Bodegas 5 y 6, Quilicura, Región Metropolitana, Chile TEL (56)2-892-7000 FAX (56)2-892-7001	Spain SM-Cyclo Iberia, S.L.U. (SMIB) C/Gran Vía Nº 63 Bis, Planta 1, Departamento 1B 48011 Bilbao-Vizcaya, Spain TEL (34)9448-05389 FAX (34)9448-01550	Vietnam SM-Cyclo (Vietnam) Co., Ltd. (SMVN) Factory 2B, Lot K1-2-5, Road No. 2-3-5A, Le Minh Xuan Industrial Park, Binh Chanh Dist., HCMC, Vietnam TEL (84)8-3766-3709 FAX (84)8-3766-3710
Argentina SM-Cyclo de Argentina S.A. (SMAR) Ing. Delpini, 2236 Area de Promocion el Triangulo, Partido Malvinas Argentinas Grand Bourg, Buenos Aires, Argentina B1615KGB TEL (54)3327-45-4095 FAX (54)3327-45-4099	United Kingdom SM-Cyclo UK Ltd. (SMUK) Unit 29, Bergen Way, Sutton Fields Industrial Estate, Kingston upon Hull, HU7 0YQ, East Yorkshire, United Kingdom TEL (44)1482-790340 FAX (44)1482-790321	Malaysia SM-Cyclo (Malaysia) Sdn. Bhd. (SMMA) No.7C, Jalan Anggerik Mokara 31/56, Kota Kemuning, Seksyen 31, 40460 Shah Alam, Selangor Darul Ehsan, Malaysia TEL (60)3-5121-0455 FAX (60)3-5121-0578
Guatemala SM Cyclo de Guatemala Ensambladora, Ltda. (SMGT) Parque Industrial Unisur, 0 Calle B 19-50 Zona 3, Bodega D-1 Delta Bárcenas en Villa Nueva, Guatemala TEL (502)6648-0500 FAX (502)6631-9171	Turkey SM Cyclo Turkey Güç Aktarım Sis. Tic. Ltd. Sti. (SMTR) Barbaros Mh. Çiğdem Sk. Ağaoğlu, Office Mrk. No:1 Kat:4 D.18 Ataşehir, Istanbul, Turkey TEL (90)216-250-6069 FAX (90)216-250-5556	Indonesia PT. SM-Cyclo Indonesia (SMID) Jalan Sungkai Blok F 25 No. 09 K, Delta Silicon III, Lippo Cikarang, Bekasi 17530, Indonesia TEL (62)21-2961-2100 FAX (62)21-2961-2211
Colombia SM Cyclo Colombia, S.A.S. (SMCO) Parque Industrial Celta, Km 7.0 Autopista Medellín, Costado Occidental, Funza, Cundinamarca, Colombia TEL (57)1-826-9766	India Sumi-Cyclo Drive India Private Limited (SDI) Gat No. 186, Raisoni Industrial Park, Alandi Markal Road, Fulgaon-Pune, Maharashtra, India TEL (91)96-0774-5353	Thailand SM-Cyclo (Thailand) Co., Ltd. (SMTH) 195 Empire Tower, Unit 2103-4, 21st Floor, South Sathorn Road, Yannawa, Sathorn, Bangkok 10120, Thailand TEL (66)2670-0998 FAX (66)2670-0999
Peru SM Cyclo de Perú, S.A.C (SMPE) Jr. Monte Rosa 255, Oficina 702, Lima, Santiago de Surco, Perú TEL (51)1-713-0342 FAX (51)1-715-0223	China Sumitomo (SHI) Cyclo Drive China, Ltd. (SCT) 11F, SMEG Plaza, No. 1386 Hongqiao Road, Changning District, Shanghai, China (P.C. 200336) TEL (86)21-3462-7877 FAX (86)21-3462-7922	Australia Sumitomo (SHI) Hansen Australia Pty. Ltd. (SHAU) 181 Power St, Glendenning, NSW 2761, Australia TEL (61)2-9208-3000 FAX (61)2-9208-3050
Germany Sumitomo (SHI) Cyclo Drive Germany GmbH (SCG) Cyclostraße 92, 85229 Markt Indersdorf, Germany TEL (49)8136-66-0 FAX (49)8136-5771	Hong Kong SM-Cyclo of Hong Kong Co., Ltd. (SMHK) Rm 1301, CEO Tower, 77 Wing Hong Street, Cheung Sha Wan, Kowloon, Hong Kong TEL (852)2460-1881 FAX (852)2460-1882	Japan Sumitomo Heavy Industries, Ltd. (SHI) ThinkPark Tower, 1-1 Osaki 2-chome, Shinagawa-ku, Tokyo 141-6025, Japan TEL (81)3-6737-2511 FAX (81)3-6866-5160

Specifications, dimensions, and other items are subject to change without prior notice.



Power Transmission & Controls Group

Headquarter ThinkPark Tower, 1-1 Osaki 2-chome, Shinagawa-ku, Tokyo 141-6025, Japan

No.CM2001E-12.9

EA10 Printed 2020.06